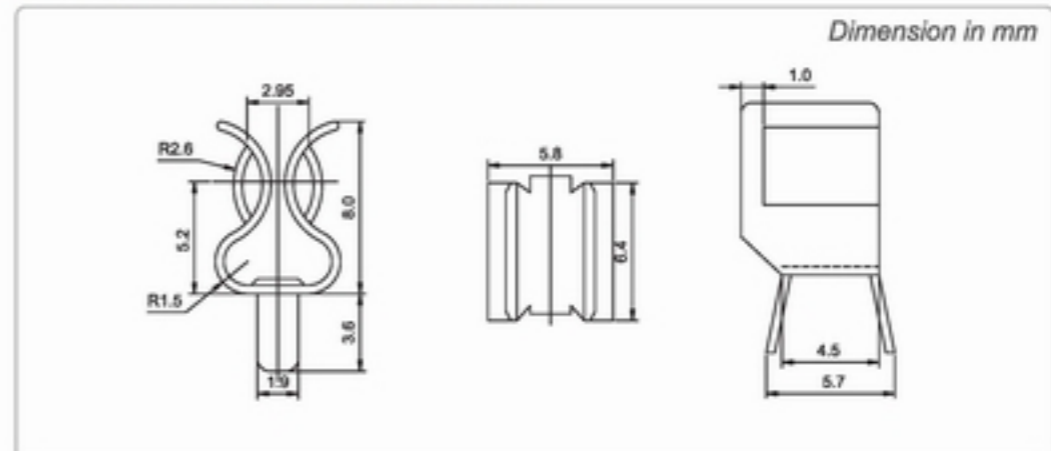


FC 51E Fuse Clip

5 \emptyset Fuse Clip



Mechanical Dimension

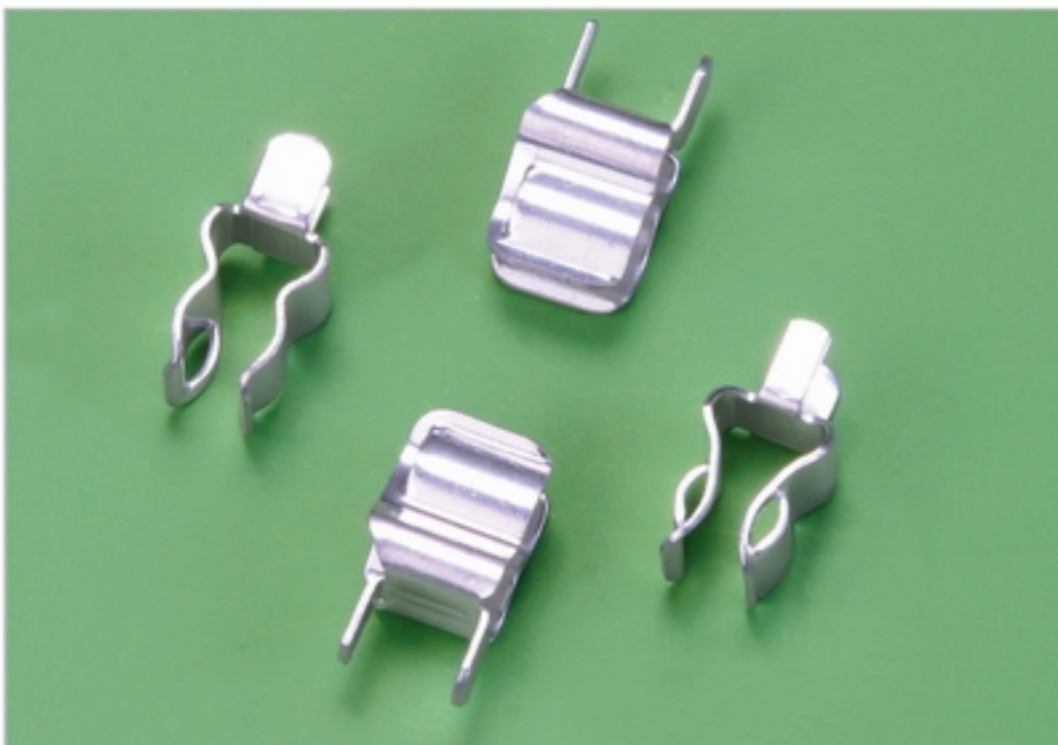


Details

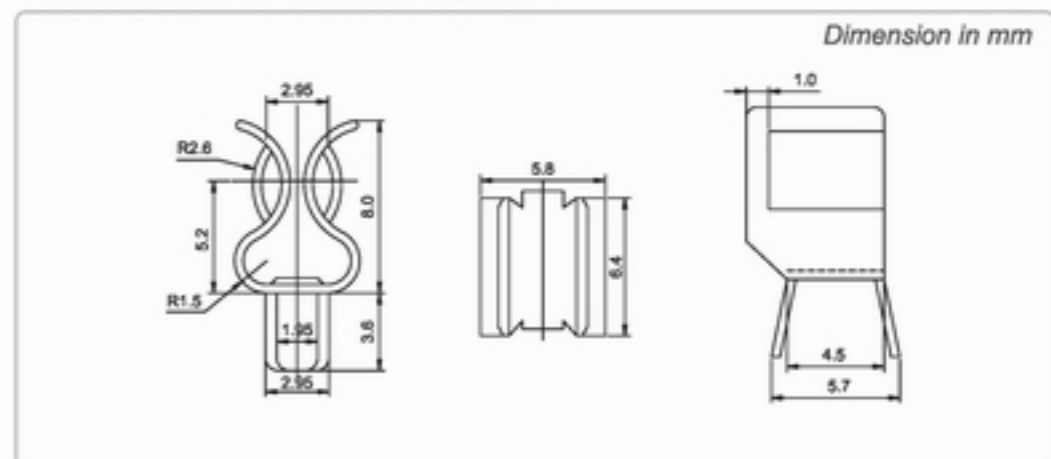
- Material : Phosphor Bronze Spring or Brass
Tin or Nickel plated
- Maximum Voltage drop with dummy copper bar insertion : 4mV/A
- Application Fuse : 5mm diameter

FC 51E-A Fuse Clip

5 \emptyset Fuse Clip



Mechanical Dimension

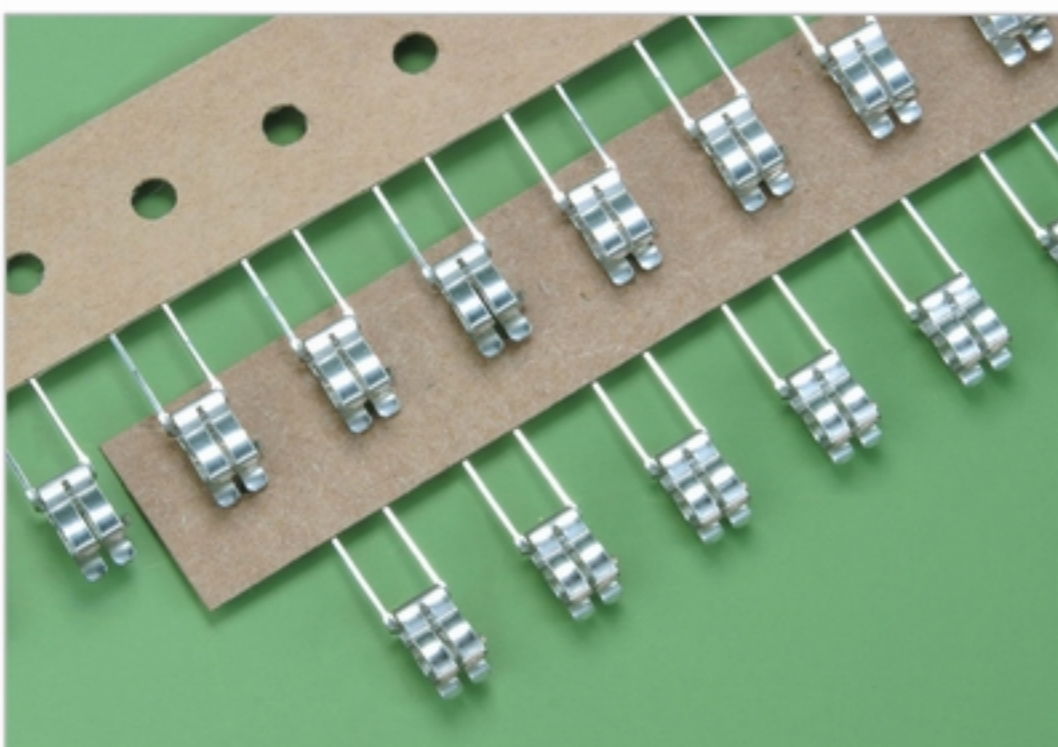


Details

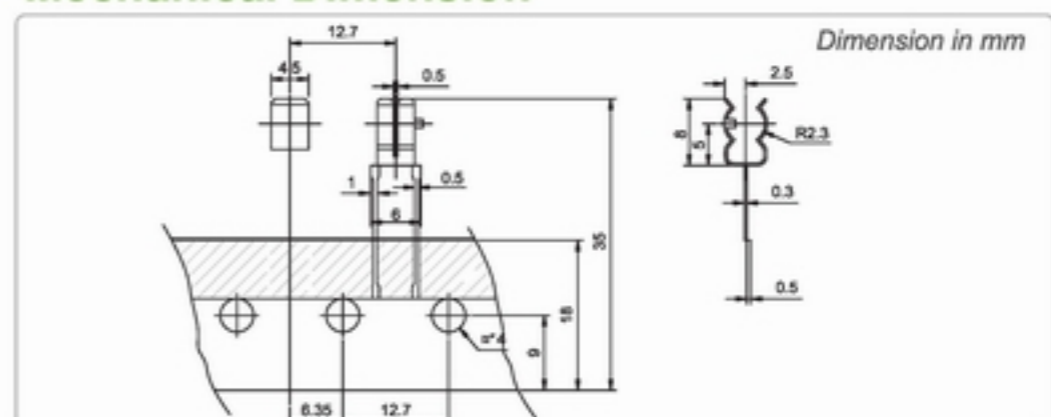
- Material : Phosphor Bronze Spring or Brass
Tin or Nickel plated
- Maximum Voltage drop with dummy copper bar insertion : 4mV/A
- Application Fuse : 5mm diameter

FC 51F Fuse Clip

5 \emptyset Fuse Clip



Mechanical Dimension



Details

- Material : Phosphor Bronze Spring
Tin or Nickel plated
- Automation Insertion
- Maximum Voltage drop with dummy copper bar insertion : 4mV/A
- Application Fuse : 5mm diameter

MISCELLANEOUS

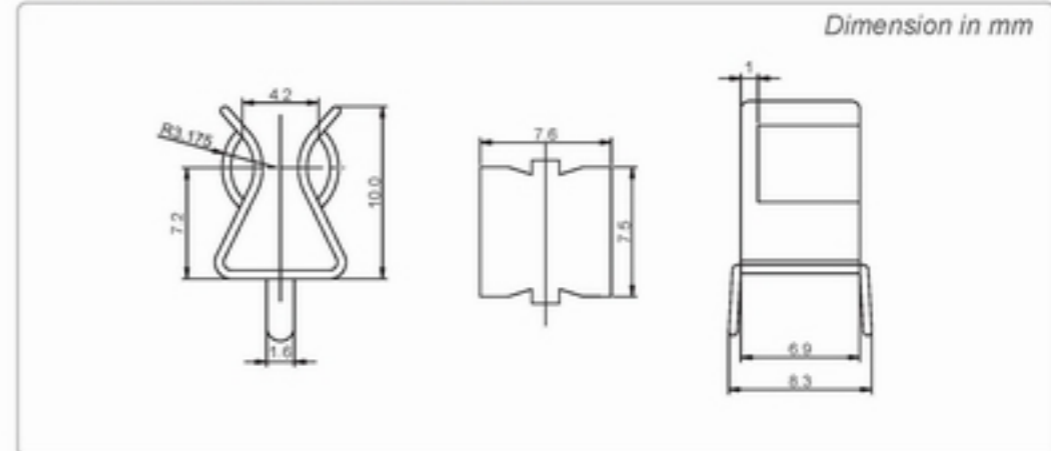


FC 61B Fuse Clip

6 \emptyset Fuse Clip



Mechanical Dimension



Details

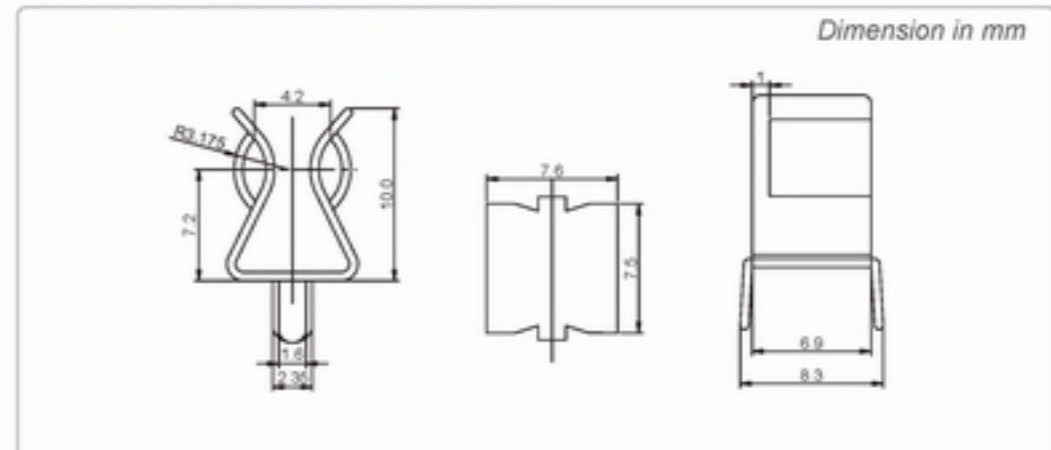
- Material : Phosphor Bronze Spring or Brass
Tin or Nickel plated
- Maximum Voltage drop with dummy copper bar insertion : 4mV/A
- Application Fuse : 6.35mm diameter

FC 61B-A Fuse Clip

6 \emptyset Fuse Clip



Mechanical Dimension

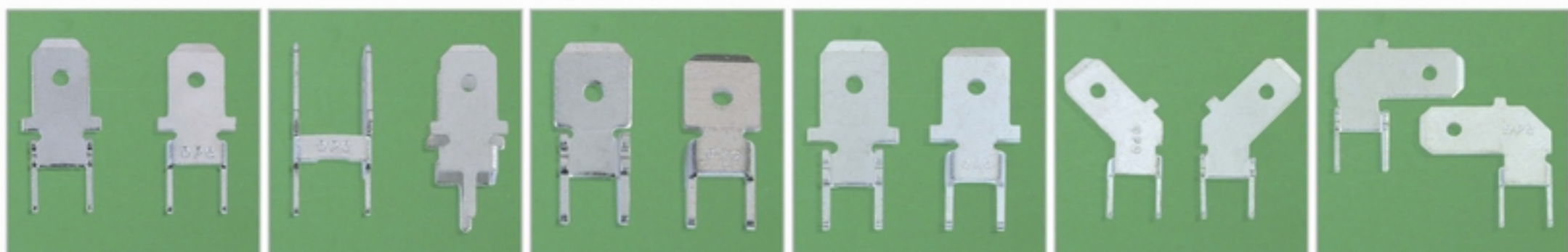


Details

- Material : Phosphor Bronze Spring or Brass
Tin or Nickel plated
- Maximum Voltage drop with dummy copper bar insertion : 4mV/A
- Application Fuse : 6.35mm diameter

ORT Series Tab Terminal

Tab Terminal



ORT 1001 (187)

ORT 1002(187)

ORT 20011 (250)

ORT 20012 (250)

ORT 1451 (187)

ORT 1901 (187)

Details

- Material : Brass
Tin or Nickel plated
- Various tab terminal types are available.