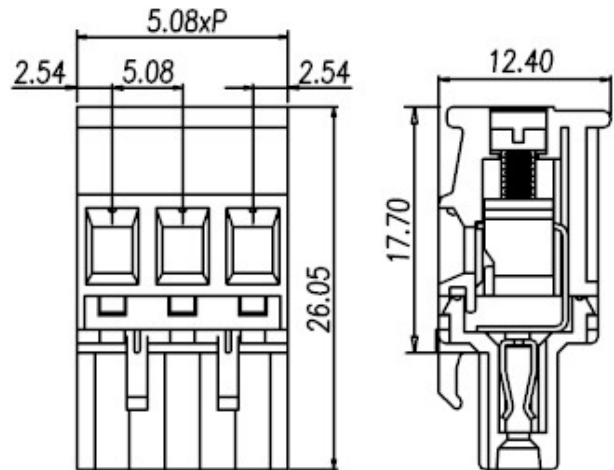




Plugs for pluggable terminal blocks / EC & ESD series



2ESDP



Pitch: 5.08mm

Approval	 	
Technical Data	UL	IEC
Rated voltage	300V	250V
Rated current	15A	17.5A
Wire range		1.5mm ²
Solid wire (AWG)	28-12	
Stranded wire (AWG/mm ²)	30-12	
Rated surge voltage (UL/IEC/Max.)	1.6 / 2 / 3 KV	
Torque (Lb-in)	4.5	
Screw	M2.5	
Wire strip length	7-8mm	
Pole	Cat. No.	
02	2ESDP-02P	
:	:	
:	:	
24	2ESDP-24P	

TEL: +886-2-2908-0614

FAX: +886-2-2908-8549

E-mail: infor@dinkle.com.tw