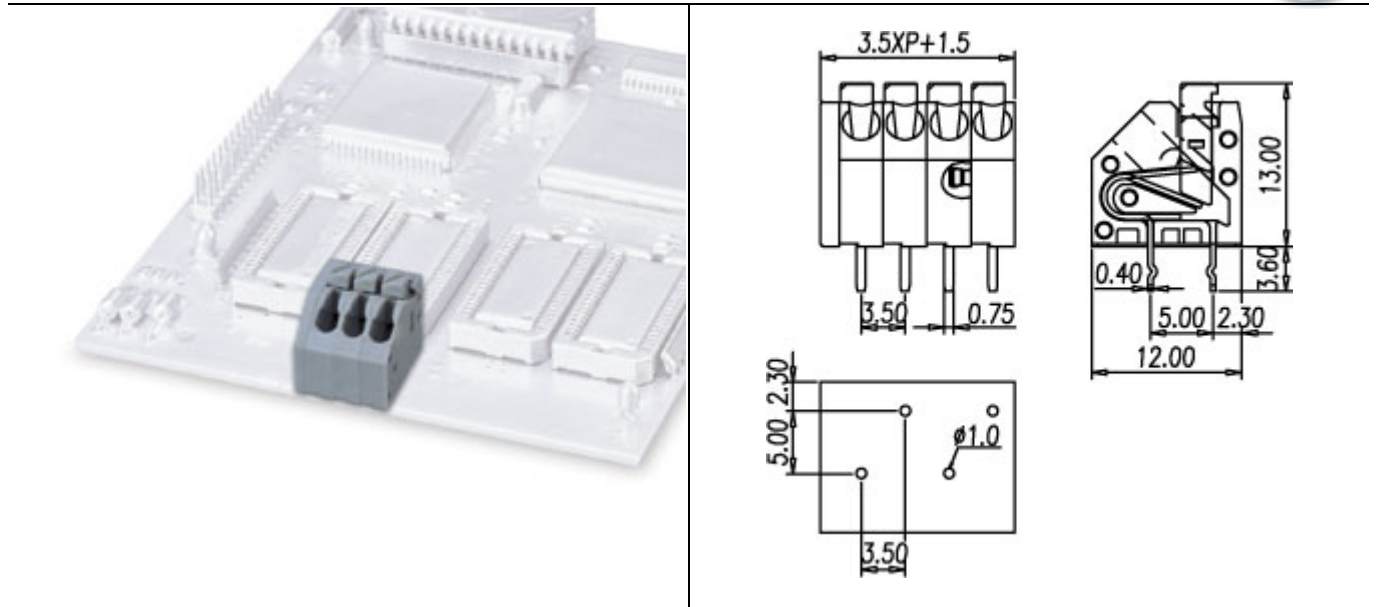


Mini type, simple type cage clamp terminal blocks / 0136 series



0136-20



Pitch: 3.50mm

Approval	UL	
Technical Data	UL	IEC
Rated voltage	300V	450V
Rated current	2A	2A
Wire range		1mm ²
Solid wire (AWG)	28~16	
Stranded wire (AWG/mm ²)		
Rated surge voltage (UL/IEC/Max.)	1.6 / / KV	
Torque (Lb-in)		
Screw		
Wire strip length	7.5~8.5mm	
Pole	Cat. No.	
02	0136-2002	
03	0136-2003	
:	:	
:	:	

TEL: +886-2-2908-0614

FAX: +886-2-2908-8549

E-mail: infor@dinkle.com.tw