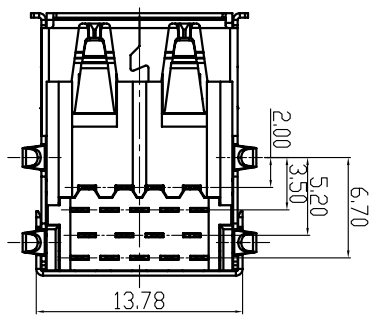
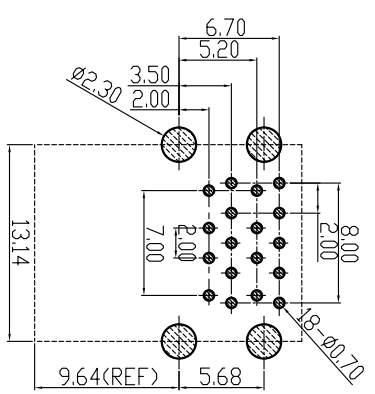
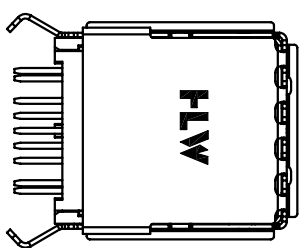
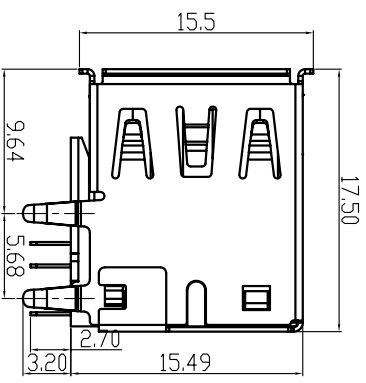
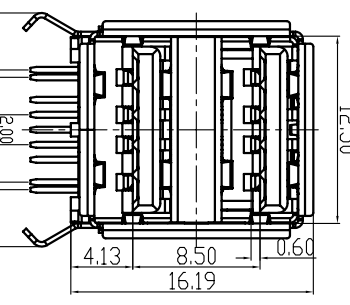
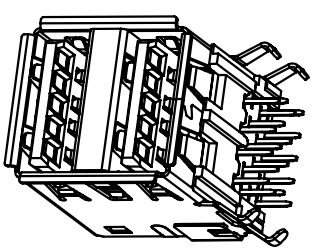
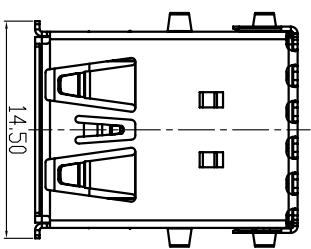


REV.	ECH. NO.	APPD.
A	/	pcy



- Remark:
- 1.MATERIAL:
- 1.1 Housing:thermoplastic plastics.
 - 1.2 terminals:Copper Alloy
 - 1.3 Front Shell:Copper Alloy/SPCC.
- Middle Shell:SPCC
- 2.characteristics:
- 2.1 Rating Voltage : 30V AC.
 - 2.2 Rating Current:PIN1&PIN4(Vbus&Corresponding ground PIN)
1.8A MAX.
 - 2.3 Contact Resistance:PIN1&PIN4:30 mΩ MAX.
 - 2.4 Insulation Resistance:100 MΩ MIN.
 - 2.5 Withstanding Voltage:AC 100V between adjacent contacts
 - 2.6 Mating force: 3.57Kgf MAX(35N MAX)
 - 2.7 Extraction force:1kgf Min(9.8N Min)
 - 2.8 Life test:1500Cycles MIN.
 - 2.9 Temperature Range: -30℃~+80℃.

U321-072X-XXXXXR

- 1:Iron alloy
 - Ni plating
 - 5:Copper alloy
 - Ni plating
 - 1:Au 1u"
 - 3:Au 3u"
 - 5:Au 5u"
 - 7:Au 10u"
 - 8:Au 15u"
 - A:Au 30u"
- 1:tray
 - 2:Tube
 - 8:Tape&Reel
 - 9:Tape&Reel+Mylar
 - 1:Black
 - 7:Blue 300C
 - 8:Blue 300C-1
 - C:Blue 300C-2
 - E:Blue 300C-3
 - 9:Carbon black425C
 - 1:PA66
 - 2:PBT
 - 6:ICP

TOLERANCE UNLESS OTHERWISE SPECIFIED		HUA LIAN WEI TECHNOLOGY ELECTRONICS CO.,LTD.	
XXX ±0.10	X' ±3	HLW 深圳市华联威电子科技有限公司 HUA LIAN WEI TECHNOLOGY ELECTRONICS CO.,LTD.	
XX ±0.25	X' ±2		
X ±0.35	X' ±2		
APPROVED		PART NAME:	USB 3.0 A型双层90度短体
CHECKED		PART No:	U321-072X-XXXXXR
DRAWN	pengchooyong	PROJECTION:	
DATE	2014.09.30	UNIT:	mm
		SCALE	1:1
		SHEET	1 OF 1
		REV.	A