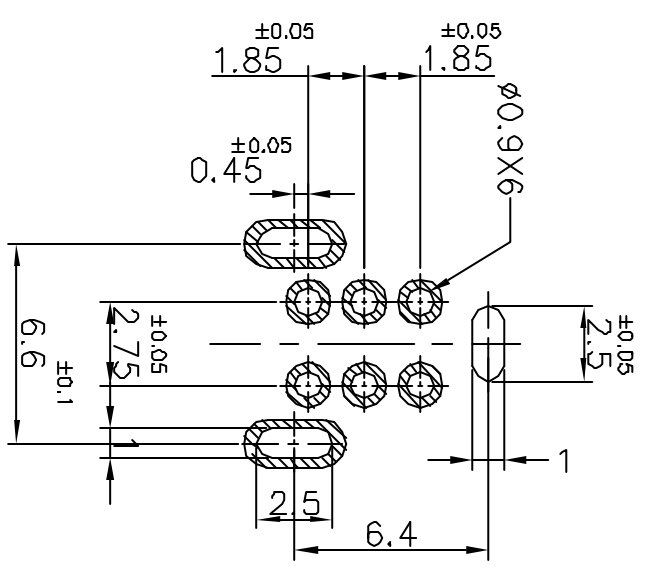
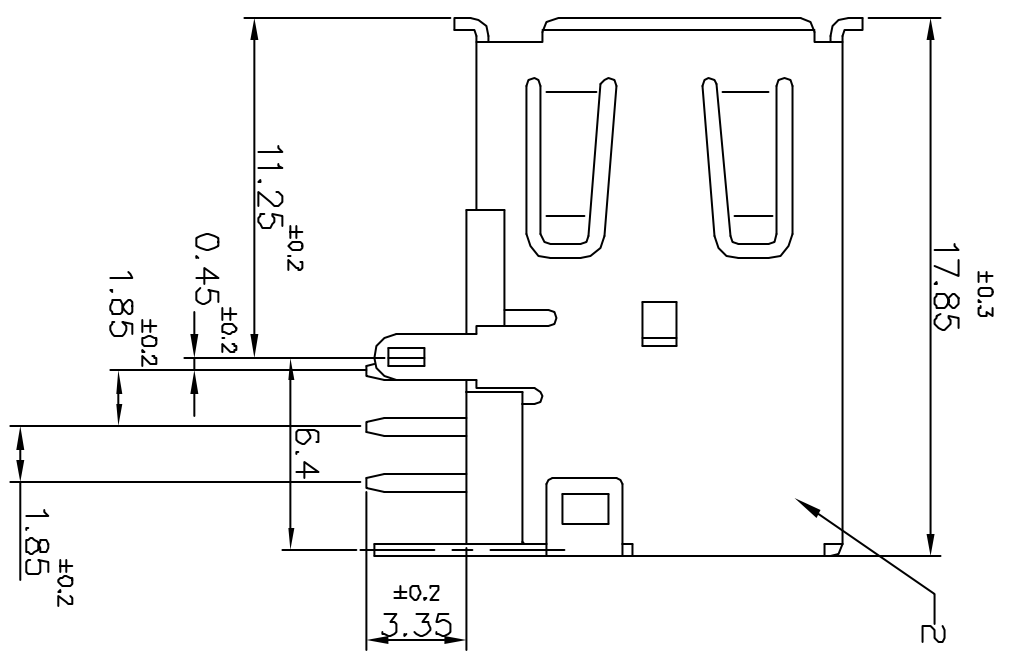
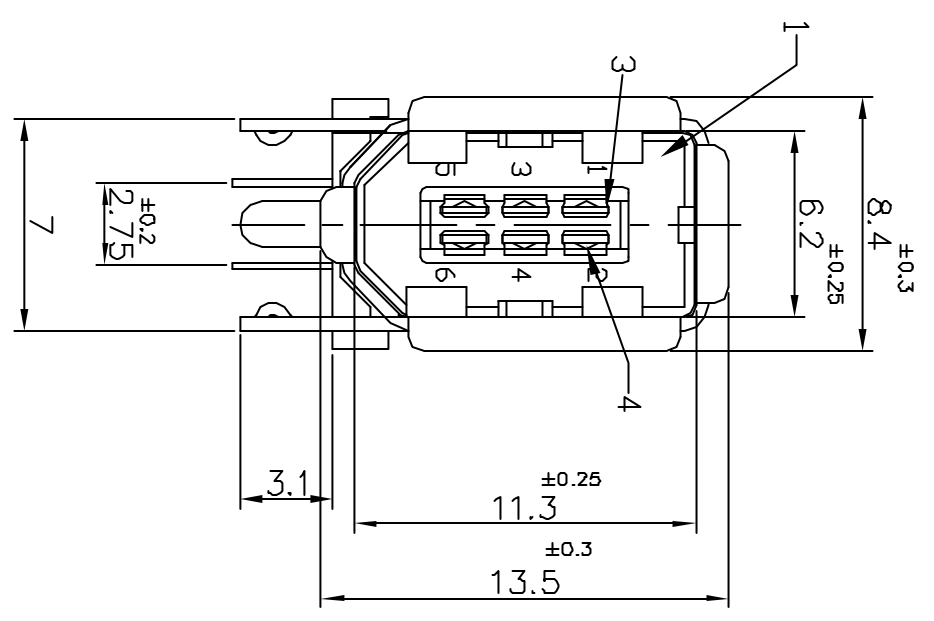


SPECIFICATIONS:  
SEE IEEE 1394 RECEPTACLE CONNECTOR SPECIFICATIONS.



RECOMMENDED PCB LAYOUT  
SOLDERING SIDE  
(TOLERANCE: ±0.05)

NO	DESCRIPTION	QTY	MATERIAL	PLATING & COLOR
1	BODY	1	PBT UL 94V-0	BLACK COLOR
2	SHELL	1	BRASS 0.4t	TIN ALLOY PLATING
3	CONTACT TERMINAL	3	PHOSPHOR BRONZE 0.25t	GOLD FLASH ON CONTACT AREA TIN PLATING ON SOLDER TAILS ALL OVER NICKEL PLATING
4	CONTACT TERMINAL	3	PHOSPHOR BRONZE 0.25t	GOLD FLASH ON CONTACT AREA TIN PLATING ON SOLDER TAILS ALL OVER NICKEL PLATING

UNLESS OTHERWISE SPECIFIED TOLERANCES		信晉企業股份有限公司 Singatron Enterprise Co., Ltd.	
TITLE	IEEE 1394 RECEPTACLE CONNECTOR	SCALE	4/1
DWN	CONN 11/18-03	PART NO.	21E-1394-003
CHKD	SM 11/20-03	UNIT	MM
APVD	ANDREW 11/20-03	SIZE	A3

DECIMALS:    ANGLES:  
X    :±0.3    X    :±2°  
X.X    :±0.2    X.X    :±1°  
X.XX    :±0.1

