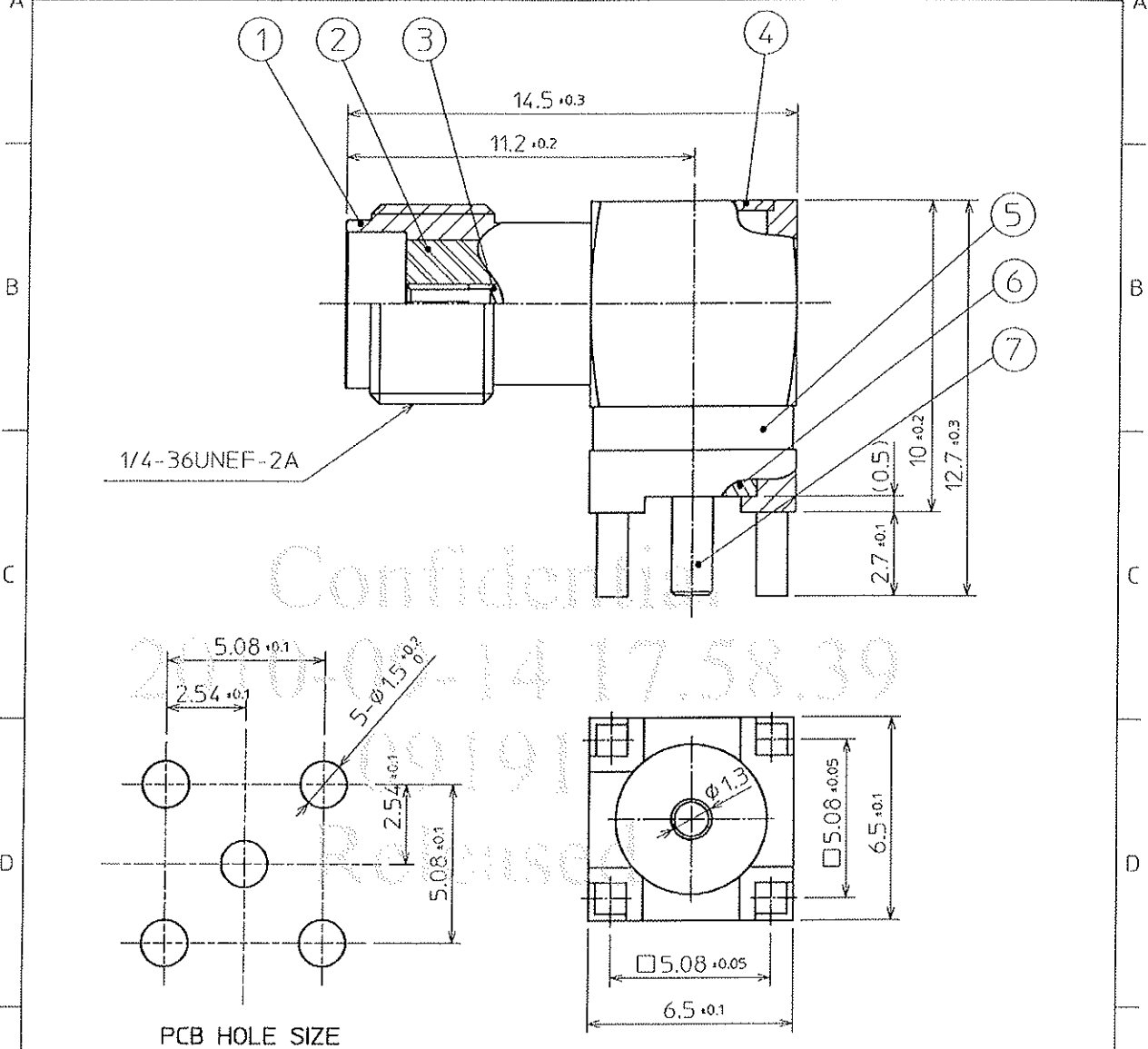


1				2				3				4			
COUNT	DISCRIPTION OF REVISIONS			B	Y	CHKD	DATE	COUNT	DISCRIPTION OF REVISIONS			B	Y	CHKD	DATE
△								△							
△								△							
△								△							



7	CONTACT-2	BRASS	NIP+AUP				
5	SHELL-2	BRASS	NIP+AUP	6	INSULATOR-2	TEFLON	-
3	CONTACT-1	BE-COPPER	NIP+AUP	4	COVER	BRASS	NIP+AUP
1	SHELL-1	BRASS	NIP+AUP	2	INSULATOR-1	TEFLON	-
NO.	NAME	MATERIAL	FINISH . REMARKS	NO.	NAME	MATERIAL	FINISH . REMARKS

CODE NO. (OLD)				DRAWN	DESIGNED	CHECKED	APPROVED	RELEASED
承認圖				2009.10.19	2009.10.19	2009.10.19	2009.10.19	

SCALE 5:1	DRAWING NO. ADC4-601337-00	PART NO. SMA-LR-PC(02)	
	UNITS mm	HRS HIROSE KOREA CO.LTD.	CODE NO. CL6326-0025-9

Confidential
2009-10-14 17:58:39
09191
09191

