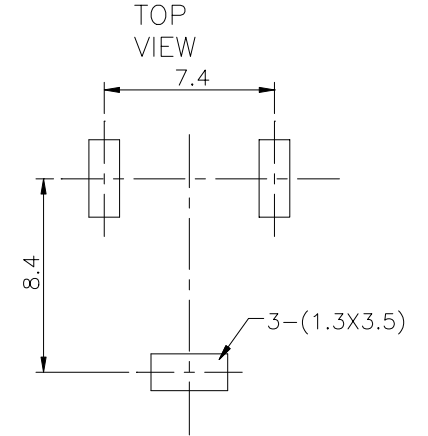
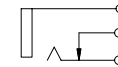


### P. C. B LAYOUT



### SCHEMATIC



### SPECIFICATION

1. Rating : 50V 0.3A;
2. Contact resistance:  $d0.03\Omega$ ;
3. Insulation resistance:  $e100M\Omega$  (DC250V);
4. Withstand voltage: 500VAC ;
5. Insertion and extraction force: 3-25N;
6. life test: 5,000 cycles.

4	CONTACT FOOT	1	BRONZE	Sn-Plating	
3	AXIS SUPPORT	1	BRASS	Ni-Plating	
2	CONTACT FOOT	1	BRASS	Sn-Plating	
1	HOUSING	1	ABS		
NO.	DESCRIPTION	QTY	MATERIAL	PLATING	
UNIT: MM		TYPE:		MODEL NO:	
		RCA JACK		RCA-102H	
		PAPER NO: A4		PAGE 1 OF 1	
		TOLERANCE		ANGLES	
		0.15		$\approx 1.5$	
		SCALE		VER	
		3:1		1	
DESIGNER BY:			<b>旭日佳电子有限公司</b> □ BEST SUN ELECTRONIC CO., LTD		
CHECK BY:					
APPROVED BY:					