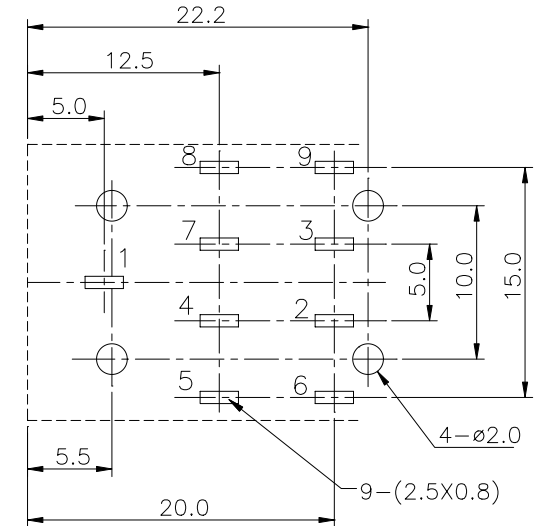
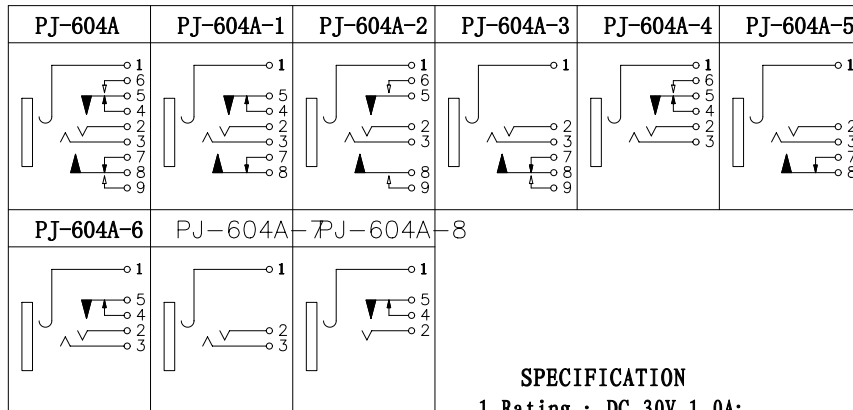


**P. C. B LAYOUT  
TOP VIEW**



**SCHEMATIC**



**SPECIFICATION**

1. Rating : DC 30V 1.0A;
2. Contact resistance: d0.03Ω;
3. Insulation resistance: e100MΩ (DC250V);
4. Withstand voltage: 500VAC ;
5. Insertion and extraction force: 5-30N;
6. life test: 5,000 cycles.

12	<b>AXIS SUPPORT</b>	1	<b>H59 BRASS</b>	Au(Ni)-Plating
11	<b>COVER</b>	1	<b>ABS</b>	
10	<b>HOUSING</b>	1	<b>ABS</b>	
9	<b>CONTACT FOOT</b>	1	<b>PHOSPHOR BRONZE</b>	Sn-Plating
8	<b>SPRING</b>	1	<b>PHOSPHOR BRONZE</b>	Sn-Plating
7	<b>FLAT PIECE</b>	1	<b>BRASS</b>	Sn-Plating
6	<b>CONTACT FOOT</b>	1	<b>PHOSPHOR BRONZE</b>	Sn-Plating
5	<b>SPRING</b>	1	<b>PHOSPHOR BRONZE</b>	Sn-Plating
4	<b>FLAT PIECE</b>	1	<b>BRASS</b>	Sn-Plating
3	<b>CONTACT FOOT</b>	1	<b>PHOSPHOR BRONZE</b>	Sn-Plating
2	<b>CONTACT FOOT</b>	1	<b>PHOSPHOR BRONZE</b>	Sn-Plating
1	<b>CONTACT FOOT</b>	1	<b>PHOSPHOR BRONZE</b>	Sn-Plating
<b>NO.</b>	<b>DESCRIPTION</b>	<b>QTY</b>	<b>MATERIAL</b>	<b>PLATING</b>

<b>UNIT: MM</b>	<b>TYPE:</b>	<b>MODEL NO:</b>	<b>PAPER NO: A4</b>	<b>PAGE 1 OF 1</b>
	PHONE JACK	PJ-604A	<b>TOLERANCE</b>	<b>ANGLES</b>
			0.15	数1.5
			<b>SCALE</b>	<b>VER</b>
			2:1	1

<b>DESIGNER BY:</b>	
<b>CHECK BY:</b>	
<b>APPROVED BY:</b>	