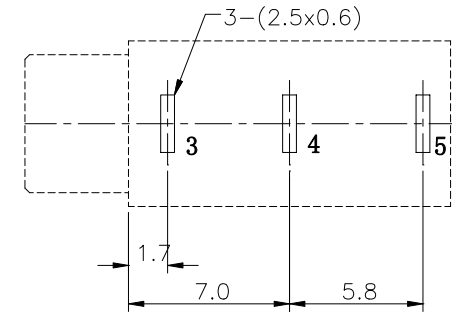
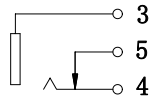


**P. C. B LAYOUT  
TOP VIEW**



**SCHEMATIC**



**SPECIFICATION**

1. Rating : DC 30V 0.5A;
2. Contact resistance:  $\leq 0.03\Omega$ ;
3. Insulation resistance:  $\geq 100M\Omega$  (DC250V);
4. Withstand voltage: 500VAC ;
5. Insertion and extraction force: 3-25N;
6. life test: 5,000 cycles.

| 6   | AXIS SUPPORT | 1   | H59 BRASS       | Ni-Plating |
|-----|--------------|-----|-----------------|------------|
| 5   | CURVE PIECE  | 1   | H62 BRASS       | Sn-Plating |
| 4   | SPRING       | 1   | PHOSPHOR BRONZE | Sn-Plating |
| 3   | FLAT PIECE   | 1   | H62 BRASS       | Sn-Plating |
| 2   | COVER        | 1   | PBT/PC          |            |
| 1   | HOUSING      | 1   | PBT/PC          |            |
| NO. | DESCRIPTION  | QTY | MATERIAL        | PLATING    |

|          |            |           |              |             |
|----------|------------|-----------|--------------|-------------|
| UNIT: MM | TYPE:      | MODEL NO: | PAPER NO: A4 | PAGE 1 OF 1 |
|          | PHONE JACK | PJ-323    | TOLERANCE    | ANGLES      |
|          |            |           | 0.15         | 1.5         |
|          |            |           | SCALE        | VER         |
|          |            |           | 3:1          | 1           |

|              |  |  |
|--------------|--|--|
| DESIGNER BY: |  | <b>旭日佳电子有限公司</b> □<br>BEST SUN ELECTRONIC CO., LTD |
| CHECK BY:    |  |  |
| APPROVED BY: |  |  |