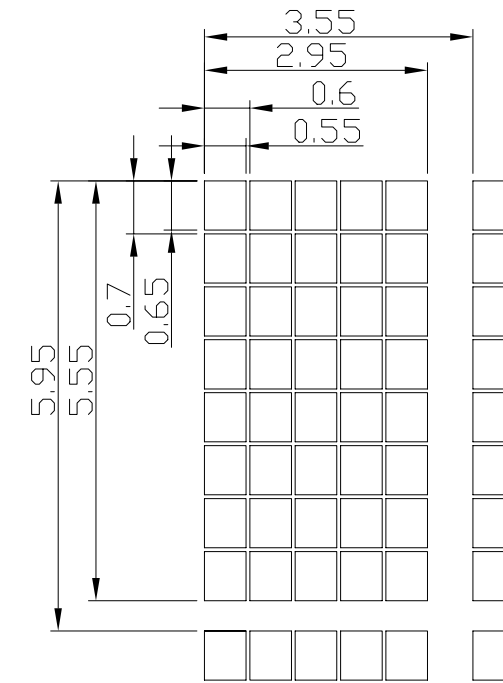
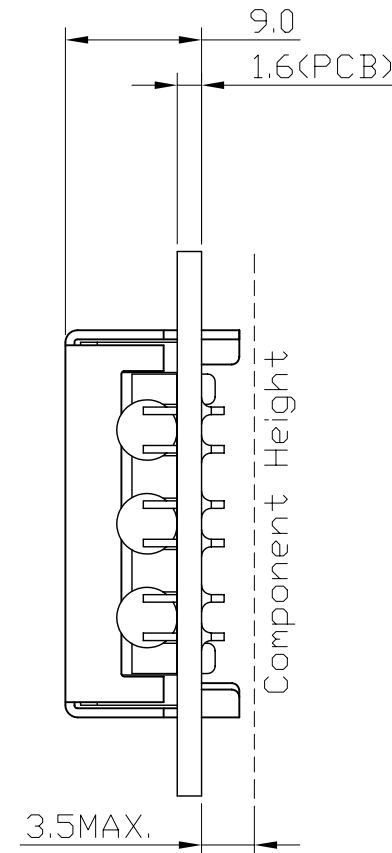
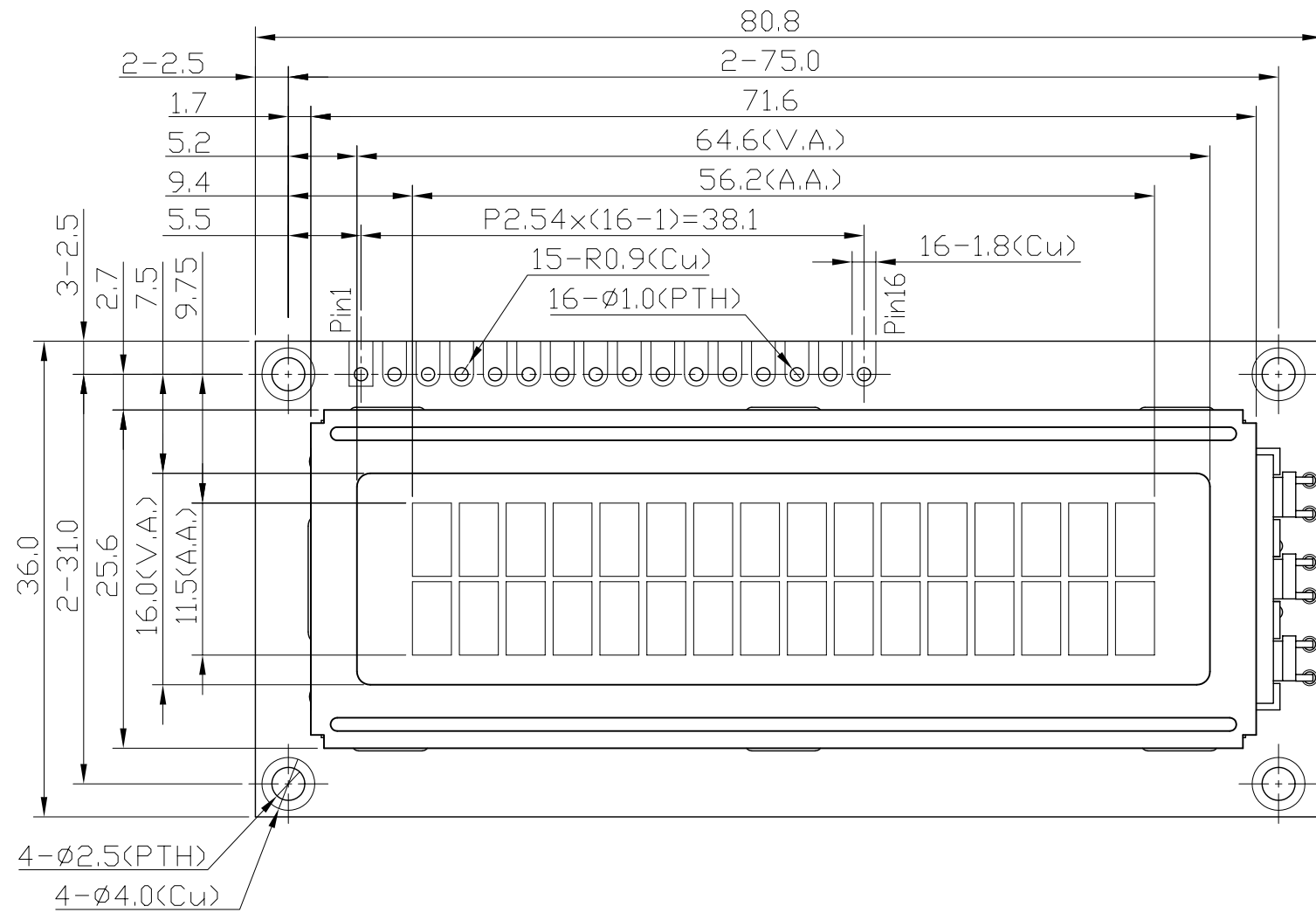
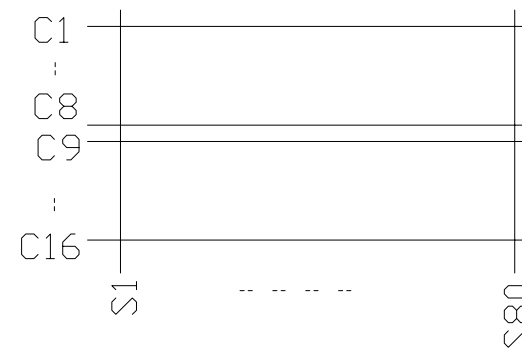
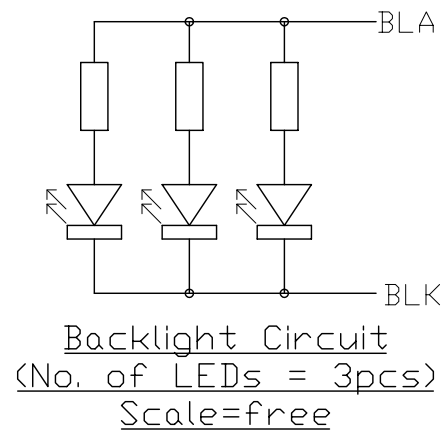


Terminal	
No.	Pin Name
1	VSS
2	VDD
3	NC
4	RS
5	R/W
6	E
7	DB0
8	DB1
9	DB2
10	DB3
11	DB4
12	DB5
13	DB6
14	DB7
15	BLA
16	BLK



Pixels Details
Scale=10/1



Panel Wiring Details
Scale=free

Note:

- *1. Display Type : STN, Negative, Transmissive
- *2. Viewing Direction : 6H
- *3. Duty : 1/16, Bias : 1/5
- *4. Backlight Color : White
- *5. Operating Voltage : 3.3V
- *6. Operating Temperature : -10°C~60°C
- *7. Storage Temperature : -30°C~80°C
- *8. Environmental Safe Standard : RoHS

C		
B		
A	-Add Note	Li Shuai 2006-02-10
Rev/Note		Date
Dwg Title	LMB162AFC-2 Outline Dwg	
Dwg No.	MK-001105a-1-1	Date 2005-11-11
Scale	2/1	Tol. ±0.5
Unit	mm	Paper Size A3
Approved	Checked	Drawn Li Shuai

TOPWAY