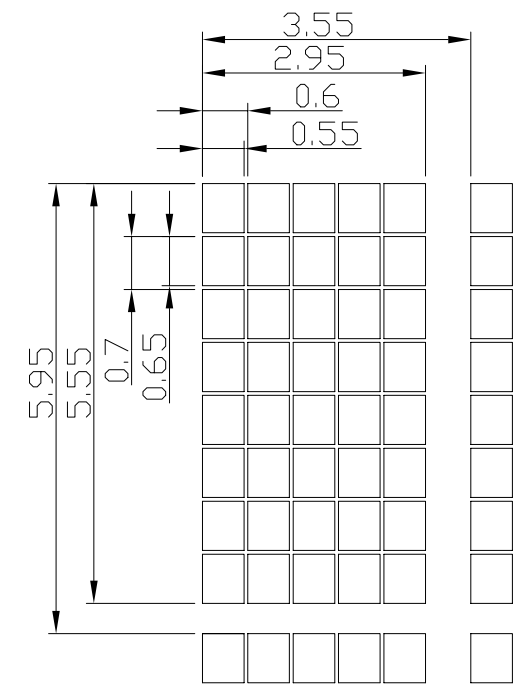
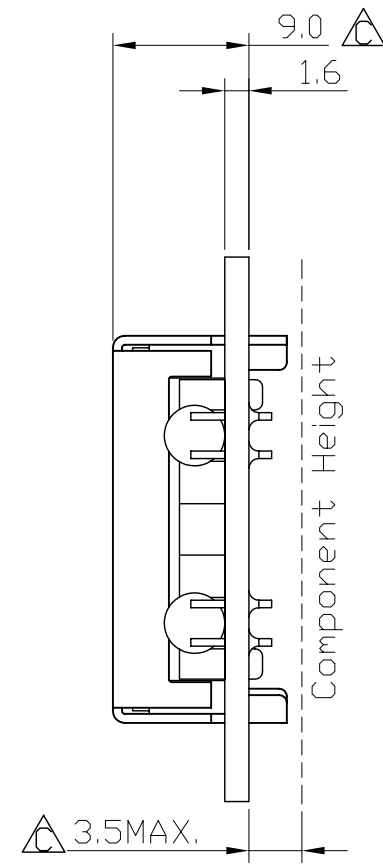
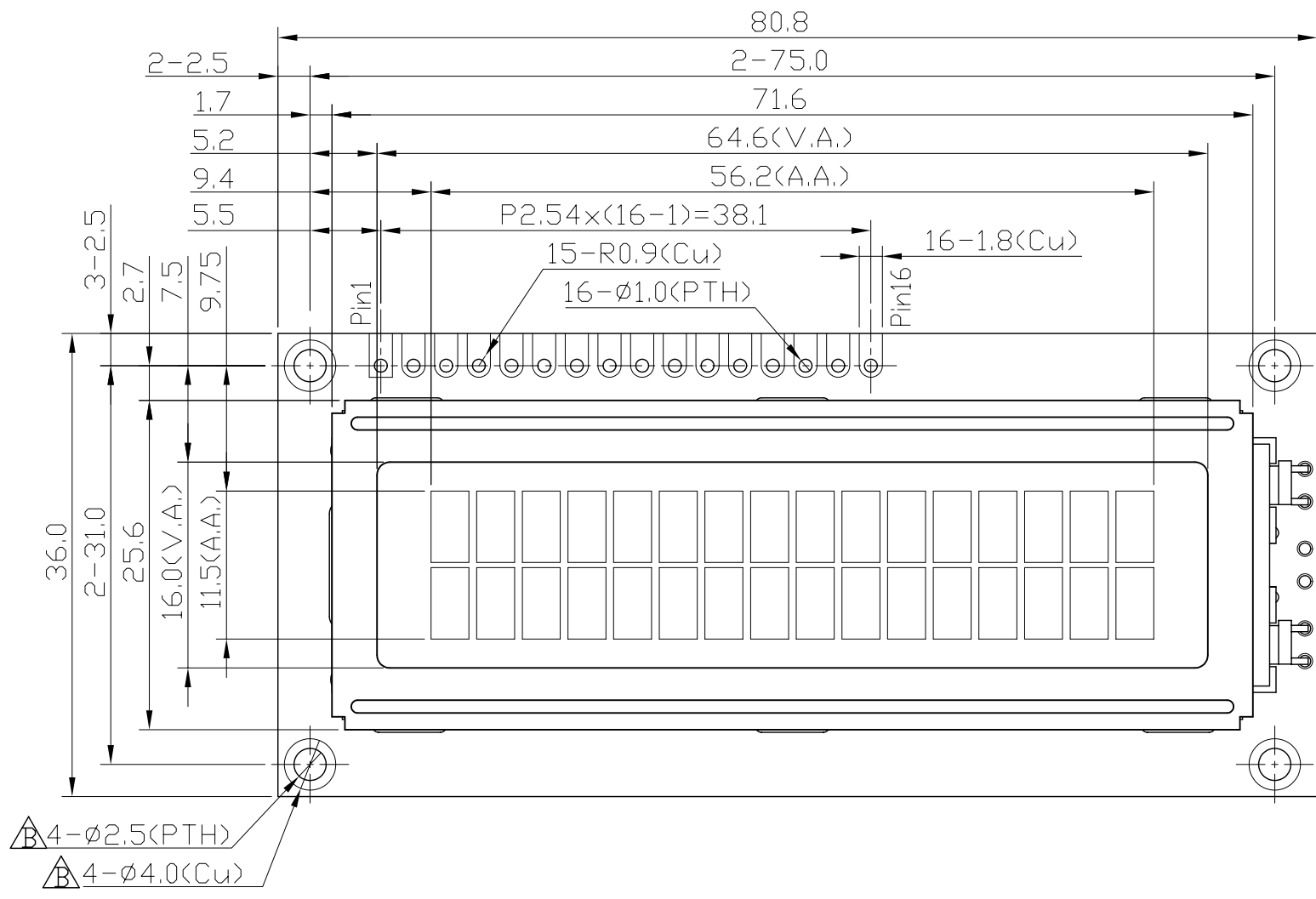
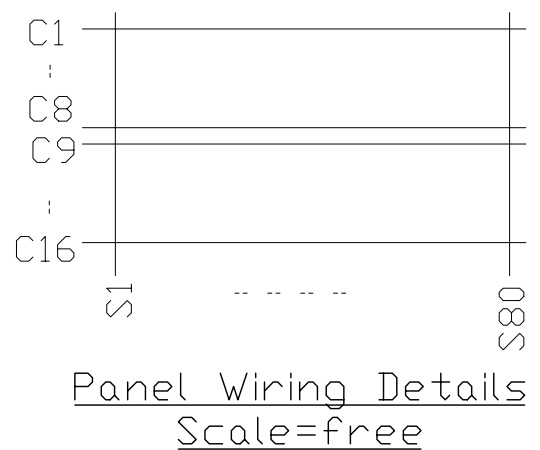
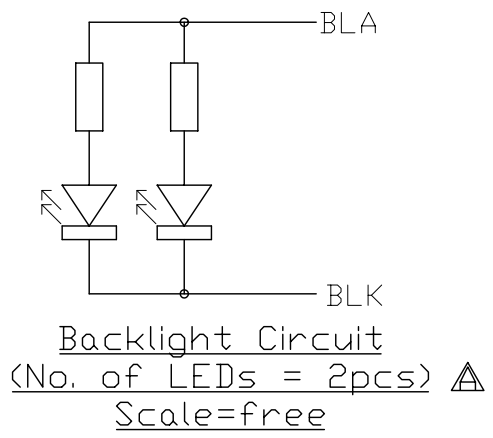


| Terminal | |
|----------|----------|
| No. | Pin Name |
| 1 | VSS |
| 2 | VDD |
| 3 | V0 |
| 4 | RS |
| 5 | R/W |
| 6 | E |
| 7 | DB0 |
| 8 | DB1 |
| 9 | DB2 |
| 10 | DB3 |
| 11 | DB4 |
| 12 | DB5 |
| 13 | DB6 |
| 14 | DB7 |
| 15 | BLA |
| 16 | BLK |



Pixels Details
Scale=10/1



- Note:
- *1. LCD Display Type : STN-Gray, Positive, Transmissive
 - *2. Viewing Direction : 6H
 - *3. Operating Temperature : -20°C~70°C
 - *4. Storage Temperature : -30°C~80°C

| | | |
|---------------------------------|--|------------------------|
| C | -Revise Metal Frame Height -Revise Dimension -Revise Dwg Title | Li Shuai 2004-10-05 |
| B | -Typing Correction | Li Shuai 2004-07-16 |
| A | -Revise Note -Revise No. of LEDs | Li Shuai 2004-06-30 |
| Rev | Note | Date |
| Dwg Title LMB162ADC Outline Dwg | | |
| Dwg No. | MK-000503c-1-1 | Date 2004-06-15 |
| Scale 2/1 | Tol. ±0.5 | Unit mm |
| Approved | Checked | Paper Size A3 |
| | | Drawn Kenny Yuen |

TOPWAY