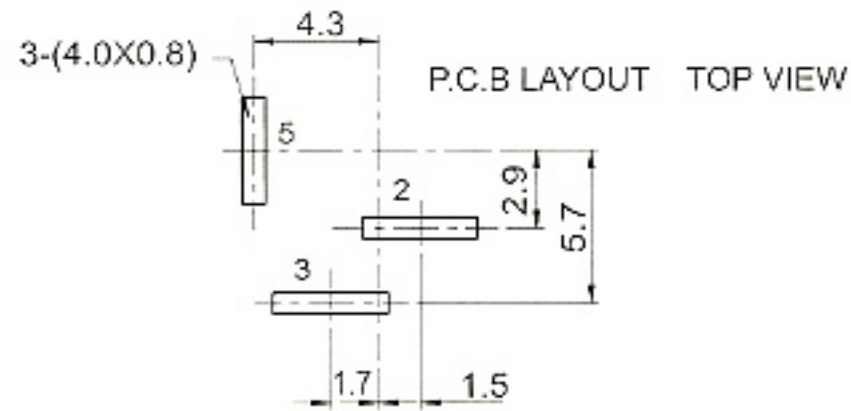
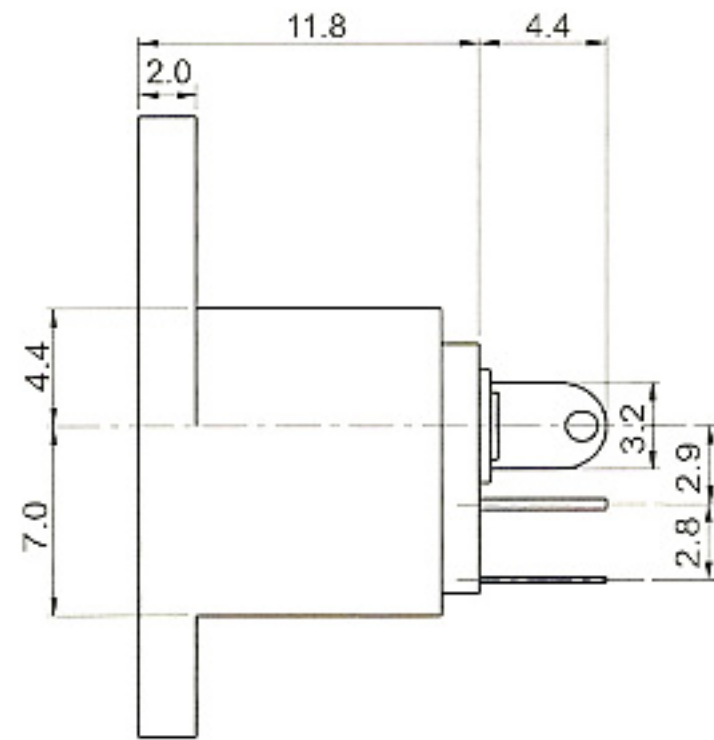
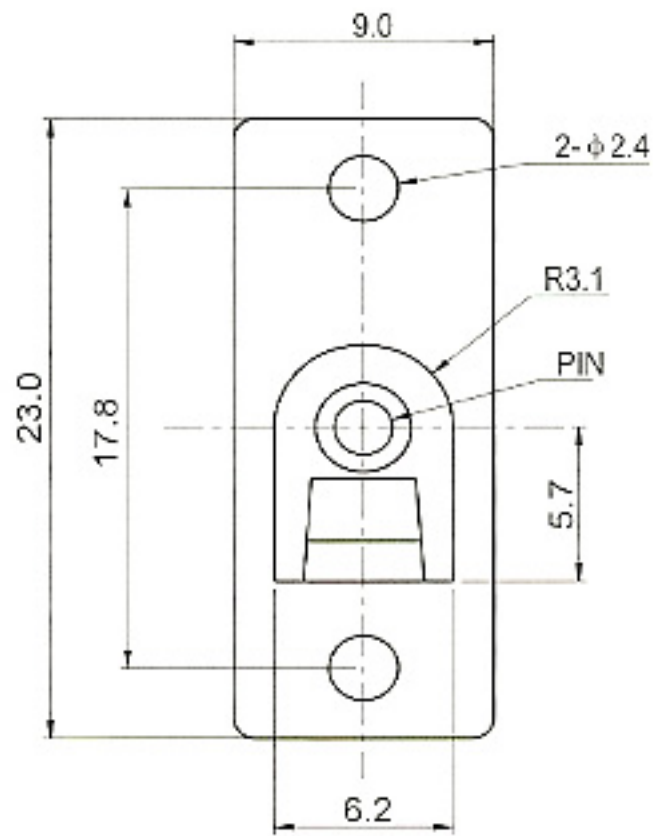


DC POWER JACK (DC-019)



PIN	φ2.0	φ2.5
APPD		

