

# CENTRONIC Solder type Female Connector

P/N : CEN01- FXX(Pin Number)

\* XX: 14, 24, 36, 50Pin

- Specification -

## 1. Material

Zinc plated. Tin plated or Nickel plated steel.

## 2. Pin Contact

Phosphor bronze or brass gold plated

## 3. INSULATOR

PBT & Glass fiber reinforced UL-94-VD

## 4. CURRENT RATING

5 Amp.

## 5. DIELECTRIC STRENGTH

1,000V for one minute

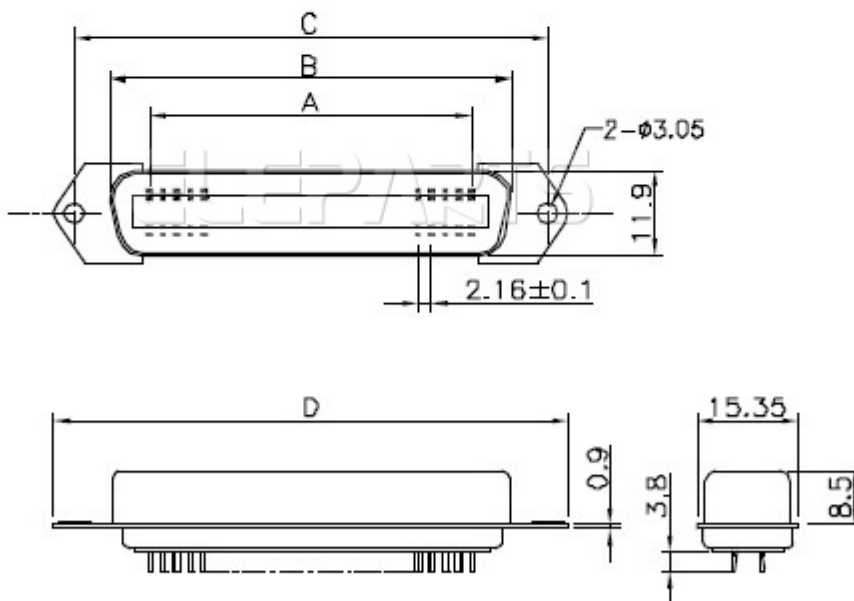
## 6. INSULATOR RESISTANCE

1,000Mohm min.

## 7. TEMPERATURE

-55°C ~ +105°C

## 8. DRAWING



Positions	A	B	C	D
14	12.96	25.2	36.0	43.9
24	23.76	36.0	46.8	54.7
36	36.72	48.9	59.7	67.7
50	51.84	64.1	74.9	82.8