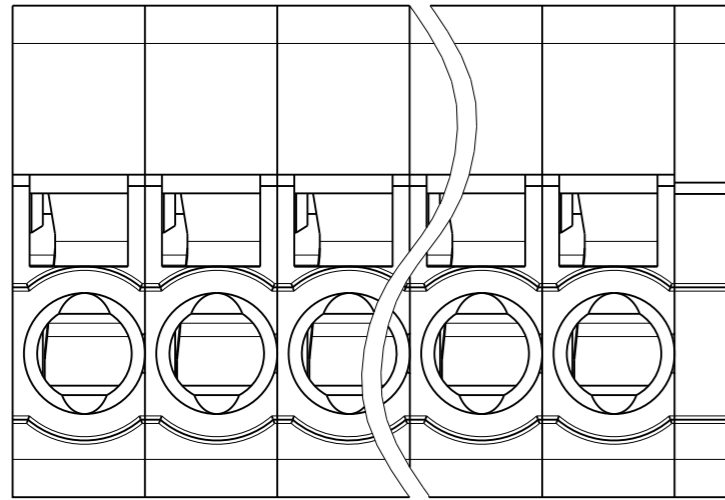
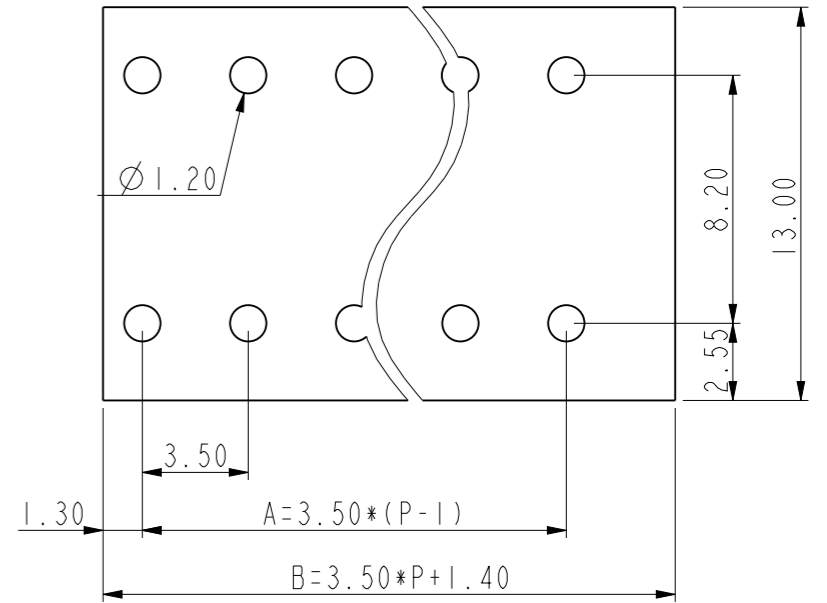


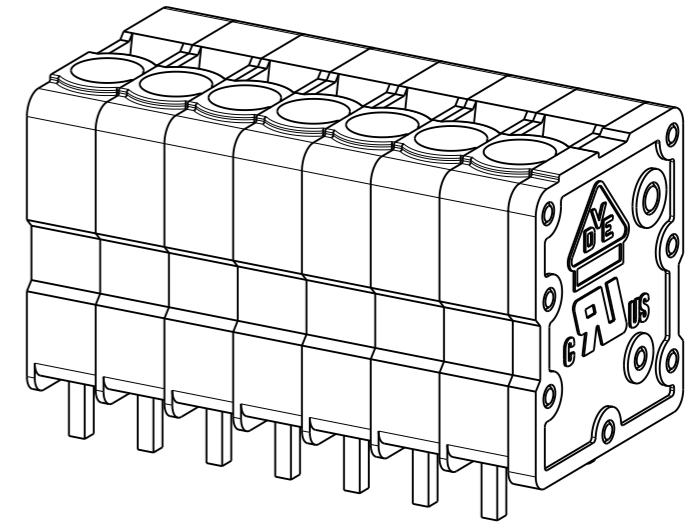
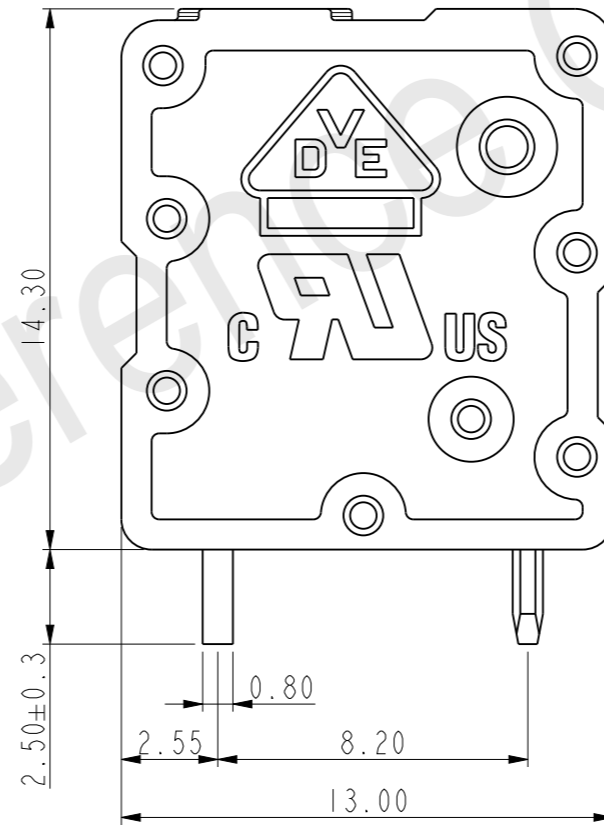
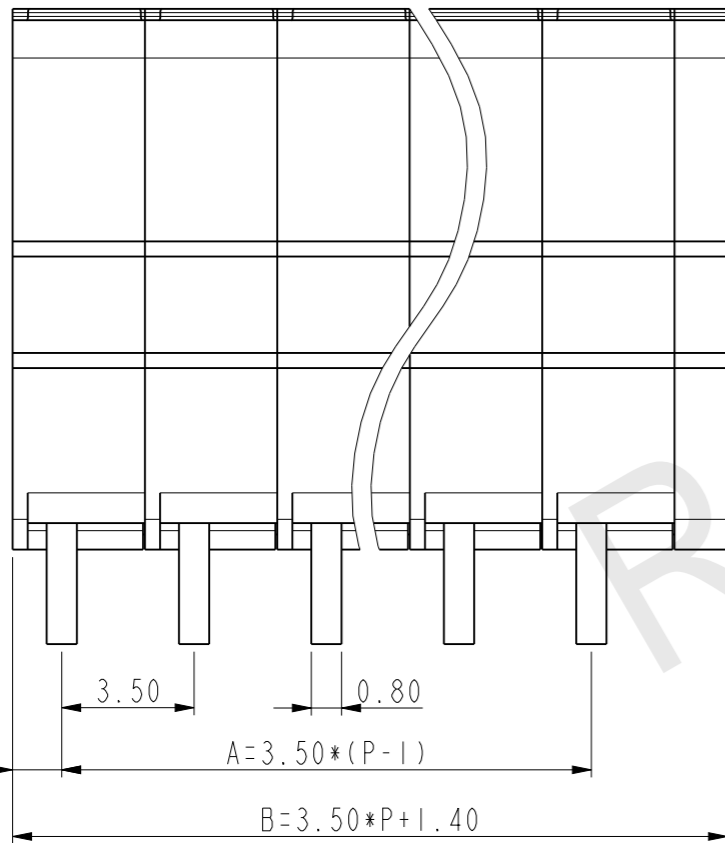
DINKLE has proprietary right to these drawings and specifications hereon, it shall not be reproduced or used as the basis for the manufacture of devices without permission. User should verify drawings are the most recent version.  
Copyright © DINKLE Enterprise Co., Ltd. All Rights reserved.



P	2	3	4	5	6	7	8	9	10	11	12	13
A	3.5	7.0	10.5	14.0	17.5	21.0	24.5	28.0	31.5	35.0	38.5	42.0
B	8.4	11.9	15.4	18.9	22.4	25.9	29.4	32.9	36.4	39.9	43.4	46.9
P	14	15	16	17	18	19	20	21	22	23	24	
A	45.5	49.0	52.5	56.0	59.5	63.0	66.5	70.0	73.5	77.0	80.5	
B	50.4	53.9	57.4	60.9	64.4	67.9	71.4	74.9	78.4	81.9	85.4	



**PCB LAYOUT**



ITEM	NAME OF PART	MATERIAL	NOTES
4	Spring Clamp	STEEL	
3	Solder Pin	COPPER ALLOY	Tin Plated
2	Housing	PA66	UL94-V0 BLACK
1	Cover	PA66	UL94-V0 BLACK

Total Pitch Tolerances		Normal dimension Tolerances	
0~30	±0.20	0~30	±0.25
over 30~53	±0.25	over 30~53	±0.30
over 53~70	±0.30	over 53~70	±0.35
over 70~90	±0.35	over 70~90	±0.44
over 90~115	±0.44	over 90~115	±0.55
over 115~150	±0.55	over 115~150	±0.70
over 150~200	±0.70	over 150~200	±0.85
over 200~250	±0.85	over 200~250	±1.00
over 250~320	±1.00	over 250~320	±1.20

V0	3				
REV.		CONTENT	DRW.	DATE	

DRW.	赵通明	DATE	2016-11-17	GENERAL TOLERANCE	
CHK.	马新博	DATE	2016-11-17	SPECIFICATION FILE	SF-0177-33-001
APP.	邓永其	DATE	2016-11-17	DRAWING TYPE	SP-03

NAME: **0177-33XX**

	<b>DINKLE ENTERPRISE CO., LTD.</b>	UNITS	mm	THIRD ANGLE PROJECTION	
		SCALE	5:1	SHEET/OF	1/1

# 0177-33XX

规格书编号/Specification File No.: SF-0177-33-001

版本/Version: A1

## 一般資訊 / General Information

产品脚距 / Pitch (mm)	3.50
产品标准颜色 / Color	Black
连接方式 / Connection method	Spring Connection
固定方式 / Type of locking	Without
产品长度 / Length (mm)	3.50*P+1.40
产品高度 / Height (mm)	14.30
产品宽度 / Width (mm)	13.00
焊接方式/ Soldering Method	Wave soldering

## 材料信息/ Material Information

绝缘材料 / Insulating material	PA66
绝缘材料组别 / Insulating material group	I
阻燃等级 · 符合 UL94 / UL94 Flammability rating	V0
绝缘阻抗 / Insulation resistance	> 500 MΩ at DC 500 V
导体材料 / Conductor material	Copper Alloy
导体表面镀层 / Plating of conductor surface	Tinned

## 连接数据 / Connection Data

IEC 额定数据 / IEC Rated Data according to	IEC
额定电压 / Rated Voltage	320 V
额定电流 / Rated Current	17.5 A
额定冲击电压 (II/2) / Rated Impulse Voltage (II/2)	2.5 kV
额定冲击电压 (III/2) / Rated Impulse Voltage (III/2)	2.5 kV
额定冲击电压 (III/3) / Rated Impulse Voltage (III/3)	2.5 kV
额定电压 (II/2) / Rated Voltage (II/2)	400 V
额定电压 (III/2) / Rated Voltage (III/2)	200 V
额定电压 (III/3) / Rated Voltage (III/3)	160 V
最小硬线横截面积 mm <sup>2</sup> / Conductor cross section solid. min	0.2 mm <sup>2</sup>
最大硬线横截面积 mm <sup>2</sup> / Conductor cross section solid. max	1.5 mm <sup>2</sup>
最小柔线横截面积 mm <sup>2</sup> / Conductor cross section stranded. min	0.2 mm <sup>2</sup>
最大柔线横截面积 mm <sup>2</sup> / Conductor cross section stranded. max	1.5 mm <sup>2</sup>
柔性导线横截面积 · 最大的管状裸端子 / Conductor cross section flexible, with max ferrule without insulation (mm <sup>2</sup> )	1.5 mm <sup>2</sup>

# 0177-33XX

规格书编号/Specification File No.: SF-0177-33-001

版本/Version: A1

柔性导线横截面积·最小的管状裸端子 / Conductor cross section flexible, with min ferrule without insulation (mm <sup>2</sup> )	0.25 mm <sup>2</sup>
柔性导线横截面积·最大的管状预绝缘端子 / Conductor cross section flexible, with max ferrule with insulation (mm <sup>2</sup> )	0.75 mm <sup>2</sup>
柔性导线横截面积·最小的管状预绝缘端子 / Conductor cross section flexible, with min ferrule with insulation (mm <sup>2</sup> )	0.25 mm <sup>2</sup>
UL额定数据 / UL Rated Data according to	UL
额定电压(UL/CUL标准组B组) / Rated Voltage (UL/CUL B Group)	300 V
额定电压(UL/CUL标准组D组) / Rated Voltage (UL/CUL D Group)	300 V
额定电流(UL/CUL标准组B组) / Rated Current (UL/CUL B Group)	10 A
额定电流(UL/CUL标准组D组) / Rated Current (UL/CUL D Group)	10 A
符合UL/CUL的最小硬线 / Min. solid wire connection AWG acc. to UL/CUL	AWG 26
符合UL/CUL的最大硬线 / Max. solid wire connection AWG acc. to UL/CUL	AWG 16
符合UL/CUL的最小柔线 / Min. stranded wire connection AWG acc. to UL/CUL	AWG 26
符合UL/CUL的最大柔线 / Max. stranded wire connection AWG acc. to UL/CUL	AWG 16
一字螺丝刀规格 / Screwdriver size	0.4X2.5
剥线长度 / Stripping Length	9~10 mm

## 环境与安全 / *Environmental and safety*

手指防护(YES or NO) / Finger protection	YES
最小工作温度 / Min. operating temperature	-40 °C
最大工作温度 / Max. operating temperature	115 °C

## 产品认证/许可 / *Approvals*



## UL Recognized

	B	D
Wire Range(AWG)	26~16	26~16
额定电流 / Rated Current	10 A	10 A
额定电压 / Rated Voltage	300 V	300 V

# 0177-33XX

规格书编号/Specification File No.: SF-0177-33-001

版本/Version: A1

## CUL Recognized

	B	D
Wire Range(AWG)	26~16	26~16
额定电流 / Rated Current	10 A	10 A
额定电压 / Rated Voltage	300 V	300 V

## VDE Recognized

污染等级 / Pollution degree	2
过电压类别 / Overvoltage category	III
额定电流 / Rated Current	17.5 A
额定电压 / Rated Voltage	320 V
Wire Range(mm <sup>2</sup> )	0.2~1.5

## 降额曲线图 / Derating Curve

