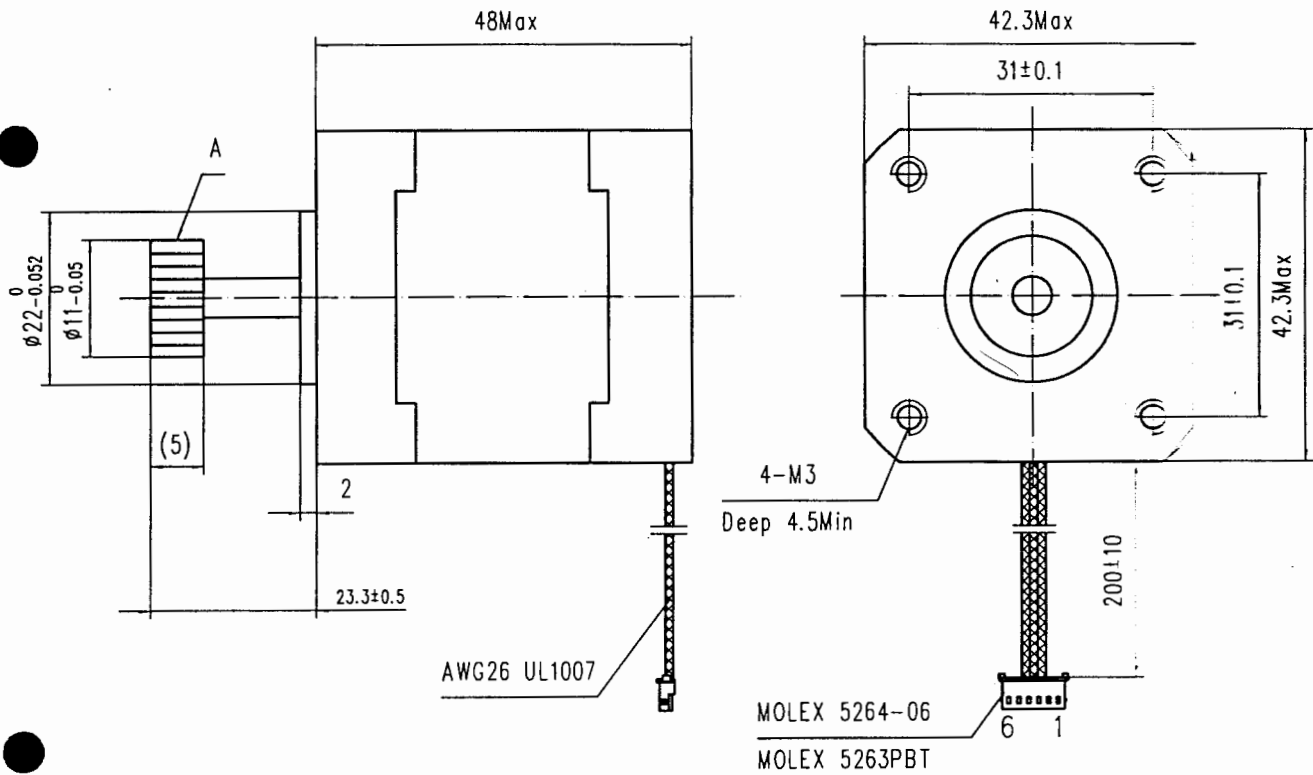


HYBRID STEPPING MOTOR TYPE 17HD3601-03

General specifications		Electrical specifications		Wiring Diagram
Step angle	1.8°±5%	Rated voltage	4.6 V	<p>红 RED A 蓝 BLU C 黄 YEL C 橙 ORG M 灰 GRY D 黑 BLK D</p>
Number of phase	4	Rated current	1.2 A	
Insulation resistance	100Mohm Min.(500V DC)	Resistance per phase	4.6 ohm±10%	
Insulation class	Class B	Inductance per phase	4 mH±20%	
Rotor inertia	82 g·cm ²	Holding torque	400 mNm	
Mass	0.34 kg	Detent torque	25mNm	

Dimensions unit=mm



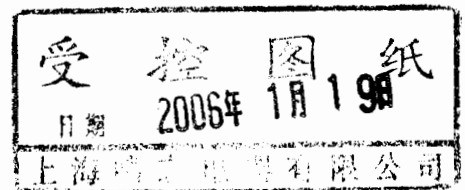
Part A

Tooth profile	involute
Number of Teeth	20
Module	0.5
Pitch diameter	φ10

Connector Pin No.	Color
1	RED 红
2	BLU 蓝
3	YEL 黄
4	ORG 橙
5	GRY 灰
6	BLK 黑

comment:

REV. DESCRIPTION DATE



MS9.005.193