

4.2mm Pitch Wire to Board CTD 1140 Crimp Terminal

Features And Specifications

Electrical

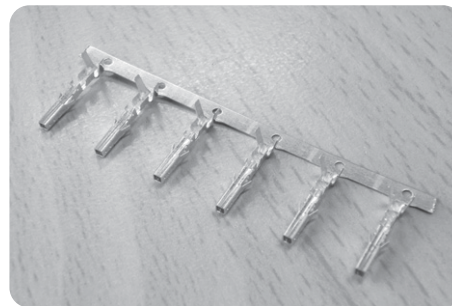
- Voltage Rating : 250VAC max
- Current Rating : 9A max
- Contact Resistance : 30m Ω max
- Insulation Resistance : 1,000M Ω min
- Dielectric Withstanding Voltage : 1,000VAC for 60 seconds

Physical

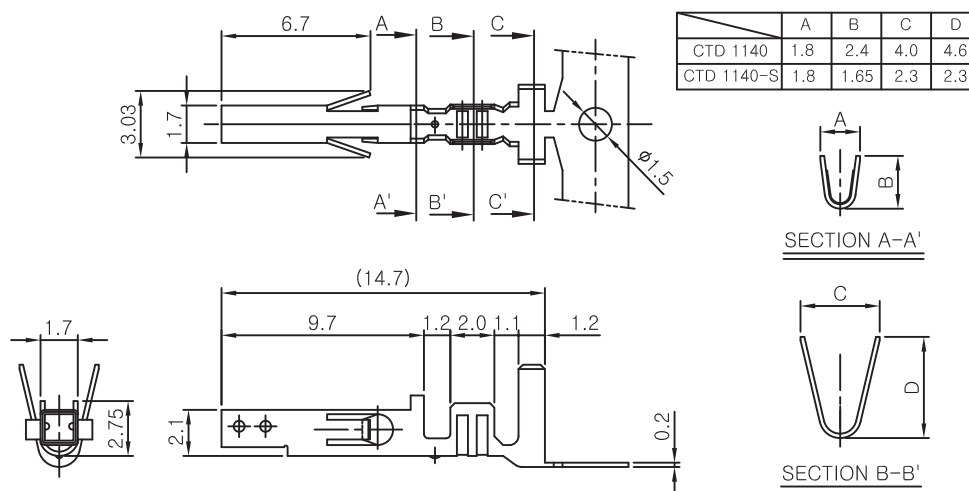
- Terminal : Brass, Tin Plated
- Operating Temperature : -40 $^{\circ}$ C ~ +105 $^{\circ}$ C

Reference Information

- Applicable Wire : AWG#18~#28
- Use With : CHD1140-N, CHD1140-N-N Series
- Packing : Reel
- UL File No : E92854
- Designed In : Millimeters



Dimensions (For Reference Only)



Ordering Information And Dimensions

Order No.	Packing	Wire Gauge	Insulation Diameter	Contact Material
CTD1140	4,000Pcs/Reel	AWG#18~#28	Φ 1.8 Max, Φ 3.1 Max	Tin Plated Brass
	Loose			
CTD1140-S	6,000Pcs/Reel	AWG#22~#28	Φ 1.8 Max, Φ 3.1 Max	Tin Plated Brass
	Loose			