



XBee® Wi-Fi RF Module

S6B

User Guide

Revision history—90002180

Revision	Date	Description
M	September 2015	Added serial data interface and serial data throughput to the RF specifications.
N	April 2016	Updated Device Cloud and XCTU information. Explained the use of Zigbee frames in the firmware. Added New Zealand certification information.
P	May 2017	Added information on the Associate LED. Revised the manual. Changed Device Cloud to Remote Manager. Updated frame 0x20 Transmit options bit description.
R	June 2017	Modified regulatory and certification information as required by RED (Radio Equipment Directive).
S	March 2019	Re-organized the AT commands to match the order in XCTU. Noted that PK is the wi-fi password. Updated the AP , MK , and GW descriptions.

Trademarks and copyright

Digi, Digi International, and the Digi logo are trademarks or registered trademarks in the United States and other countries worldwide. All other trademarks mentioned in this document are the property of their respective owners.

© 2019 Digi International Inc. All rights reserved.

Disclaimers

Information in this document is subject to change without notice and does not represent a commitment on the part of Digi International. Digi provides this document “as is,” without warranty of any kind, expressed or implied, including, but not limited to, the implied warranties of fitness or merchantability for a particular purpose. Digi may make improvements and/or changes in this manual or in the product(s) and/or the program(s) described in this manual at any time.

Warranty

To view product warranty information, go to the following website:

www.digi.com/howtobuy/terms

Customer support

Gather support information: Before contacting Digi technical support for help, gather the following information:

- Product name and model
- Product serial number (s)
- Firmware version
- Operating system/browser (if applicable)

Logs (from time of reported issue)

Trace (if possible)

Description of issue

Steps to reproduce

Contact Digi technical support: Digi offers multiple technical support plans and service packages. Contact us at +1 952.912.3444 or visit us at www.digi.com/support.

Feedback

To provide feedback on this document, email your comments to

techcomm@digi.com

Include the document title and part number (XBee Wi-Fi RF Module User Guide, 90002180 S) in the subject line of your email.

Contents

Applicable firmware and hardware	12
--	----

Technical specifications

General specifications	14
RF characteristics	14
RF data rates	14
Receiver sensitivity	15
RF transmit power - typical	16
Error vector magnitude (EVM) maximum output power - typical	17
Electrical specifications	18
Serial communication specifications	19
UART pin assignments	20
SPI pin assignments	20
GPIO specifications	20
Regulatory conformity summary	21

Hardware

Mechanical drawings	23
Through-hole device	23
Surface-mount device	24
Pin signals	24
Design notes	26
Power supply	26
Pin connection recommendations	27
Board layout	27
Antenna performance	27
Design notes for RF pad devices	30
Mounting considerations	32

Operation

Serial interface	34
UART data flow	34
Serial data	34
SPI communications	35
Select the SPI port	36
Serial buffers	36
Serial receive buffer	37

Serial transmit buffer	37
UART flow control	37
CTS flow control	37
RTS flow control	37
The Commissioning Button	38
Connection indicators	39
The Associate LED	39
TCP connection indicator	39
Remote Manager connection indicator	40
Perform a serial firmware update	40

Modes

Serial modes	42
Transparent operating mode	42
API operating mode	42
Command mode	45
Modes of operation	47
Idle mode	47
Transmit mode	47
Receive mode	48
Configuration mode	48
Sleep mode	49
Sleep modes	49
Soft AP mode	49
Enable Soft AP mode	50
Station (STA) connection in Soft AP Provisioning mode	50
Use the webpage to configure a connected device	50
Station (STA) connection in Soft AP Pass Through mode	51

Sleep modes

About sleep modes	53
Use the UART Sleep mode	53
Use SPI Sleep mode	53
AP Associated Sleep mode	54
Pin Sleep mode	54
Cyclic Sleep mode	54
Deep Sleep (Non-Associated Sleep) mode	54
Pin Sleep mode	55
Cyclic Sleep mode	55
Use sleep modes to sample data	55

802.11 bgn networks

Infrastructure networks	57
Infrastructure Wireless Network	57
Ad Hoc networks	57
Set Ad Hoc creator parameters	57
Set Ad Hoc joiner parameters	58
Network basics	58
802.11 standards	58
Encryption	59

Authentication	59
Open authentication	59
Shared Key	59
Channels	59

IP services

XBee Application Service	62
Local host access	62
Network client access	63
Serial Communication Service	68
Transparent mode	68
UDP	68
TCP	69
API mode	69
UDP mode	69
TCP mode	69

I/O support

Analog and digital I/O lines	72
Through-hole device	72
Surface-mount device	72
Configure I/O functions	73
I/O sampling	74
Queried sampling	75
Periodic I/O sampling	75
Change detection sampling	76
Example	76
RSSI PWM	76

Wi-Fi Protected Setup (WPS)

Enable WPS	79
Use WPS	79
Pre-shared key (PSK) mode security	79

General Purpose Flash Memory

General Purpose Flash Memory	81
Work with flash memory	81
Access General Purpose Flash Memory	81
General Purpose Flash Memory commands	82
PLATFORM_INFO_REQUEST (0x00)	83
PLATFORM_INFO (0x80)	83
ERASE (0x01)	83
ERASE_RESPONSE (0x81)	84
WRITE (0x02) and ERASE_THEN_WRITE (0x03)	85
WRITE_RESPONSE (0x82) and ERASE_THEN_WRITE_RESPONSE (0x83)	85
READ (0x04)	86
READ_RESPONSE (0x84)	86
FIRMWARE_VERIFY (0x05) and FIRMWARE_VERIFY_AND_INSTALL(0x06)	87
FIRMWARE_VERIFY_RESPONSE (0x85)	88

FIRMWARE_VERIFY_AND_INSTALL_RESPONSE (0x86)	88
Update the firmware over-the-air	89
Over-the-air firmware updates	90
Distribute the new application	90
Verify the new application	91
Install the application	91

Get started with Digi Remote Manager

Use XCTU to enable Remote Manager	92
Configure the device	92
Output control	93
IO command bits	94
Send I/O samples to Remote Manager	95
View I/O samples in Remote Manager	95
Update the firmware from Remote Manager	95
Send data requests	95
Enable messages to the host	96
About the device request and frame ID	96
Populate and send a Device Request frame (0xB9)	96
Transparent mode data	97
Send data to Remote Manager	97
AT command settings to put serial data in Remote Manager	97
Send files	98
Send binary data points	98
Receive data from Remote Manager	99

Operate in API mode

API mode overview	101
Use the AP command to set the operation mode	101
API frame format	101
API operation (AP parameter = 1)	101
API operation with escaped characters (AP parameter = 2)	102
API serial exchanges	105
AT command frames	105
Transmit and receive RF data	105
Remote AT commands	106

API frames

TX (Transmit) Request: 64-bit - 0x00	108
Remote AT Command Request - 0x07	110
AT Command Frame - 0x08	112
Transmit Packet - 0x10	113
Explicit Transmit Packet - 0x11	115
Remote AT Command - 0x17	118
Transmit (TX) Request: IPv4 - 0x20	120
Send Data Request - 0x28	122
Device Response - 0x2A	124
Rx (Receive) Packet: 64-bit - 0x80	125
Remote Command Response - 0x87	127
AT Command Response frame - 0x88	129

Transmission Status frame - 0x89	130
Modem Status frame - 0x8A	132
TX Status frame - 0x8B	133
I/O Data Sample RX Indicator frame - 0x8F	135
Receive Packet frame 0x90	137
Explicit Receive Packet frame - 0x91	139
Remote AT Command Response frame - 0x97	141
RX (Receive) Packet: IPv4 - 0xB0	143
Send Data Response frame - 0xB8	145
Device Request frame - 0xB9	146
Device Response Status frame - 0xBA	147
Frame Error - 0xFE	148

AT commands

MAC/PHY commands	150
AI (Association Indication)	150
DI (Remote Manager Indicator)	150
CH (Channel)	151
LM (Link Margin)	151
PL (Power Level)	151
Network commands	152
AH (Network Type)	152
CE (Infrastructure Mode)	152
ID (SSID)	152
EE (Encryption Enable)	153
PK command	153
IP (IP Protocol)	153
MA (IP Addressing Mode)	154
TM (Timeout)	154
TS (TCP Server Socket Timeout)	154
DO command	154
EQ (Remote Manager FQDN)	155
Addressing commands	155
SH command	155
SL command	156
NS (DNS Address)	156
LA (Lookup IP Address of FQDN)	156
DL command	156
NI (Node Identifier)	156
KP (Device Description)	157
KC (Contact Information)	157
KL (Device Location)	157
C0 (Serial Communication Service Port)	157
DE (Destination port)	158
GW command	158
MK command	158
MY command	159
PG (Ping an IP Address)	159
DD command	159
NP (Maximum RF Payload Bytes)	159
Serial interfacing commands	160
BD (Baud Rate)	160
NB (Serial Parity)	160
SB (Stop Bits)	161

RO command	161
FT (Flow Control Threshold)	161
API Enable	162
AO command	162
I/O settings commands	162
D0 (DIO0/AD0/ CB Configuration)	162
D1 (DIO1/AD1 Configuration)	163
D2 (DIO2/AD2 Configuration)	163
D3 (DIO3/AD3 Configuration)	164
D4 (DIO4/AD4 Configuration)	164
D5 (DIO5 Configuration)	165
D6 (DIO6 Configuration)	165
D7 (DIO7 Configuration)	166
D8 (DIO8 Configuration)	166
P0 (DIO10 Configuration)	167
P1 (DIO11 Configuration)	168
P2 (DIO12 Configuration)	168
P3 (DOUT)	169
P4 DIN	169
P5 (DIO15 Configuration)	169
P6 (DIO16 Configuration)	170
P7 (DIO17 Configuration)	170
P8 (DIO18 Configuration)	170
P9 (DIO19 Configuration)	171
PD (Pull Direction)	171
PR (Pull-up Resistor)	172
DS (Drive Strength)	173
M0 (PWM0 Duty Cycle)	173
M1 (PWM1 Duty Cycle)	173
LT command	173
RP (RSSI PWM Timer)	173
IS command	174
I/O sampling commands	174
AV (Analog Voltage Reference)	174
IC (Digital Change Detection)	174
IF (Sample from Sleep Rate)	175
IR (I/O Sample Rate)	175
TP command	175
%V (Supply Voltage)	175
Output Control	176
OM (Output Mask)	176
T0 (Set time to hold DIO0)	176
T1 (Set time to hold DIO1)	176
T2 (Set time to hold DIO2)	176
T3 (Set time to hold DIO3)	177
T4 (Set time to hold DIO4)	177
T5 (Set time to hold DIO5)	177
T6 (Set time to hold DIO6)	177
T7 (Set time to hold DIO7)	177
T8 (Set time to hold DIO8)	178
T9 (Set time to hold DIO9)	178
Q0 (Set time to hold DIO10)	178
Q1 (Set time to hold DIO11)	178
Q2 (Set time to hold DIO12)	179
Q3 (Set time to hold DIO13)	179

Q4 (Set time to hold DIO14)	179
Q5 (Set time to hold DIO15)	179
Q6 (Set time to hold DIO16)	179
Q7 (Set time to hold DIO17)	180
Q8 (Set time to hold DIO18)	180
Q9 (Set time to hold DIO19)	180
IO command	181
Sleep commands	181
SA command	181
SM (Sleep Mode)	181
SO command	182
SP (Sleep Period)	182
ST (Wake Time)	182
WH (Wake Host)	182
Command mode options	183
CC (Command Mode Character)	183
CT command	183
GT command	183
CN command	183
Diagnostics interfacing	184
VR command	184
HV command	184
HS (Hardware Series)	184
AS (Active scan for network environment data)	184
CK (Configuration Code)	185
Execution commands	185
AC (Apply Changes)	185
WR command	186
RE command	186
FR (Software Reset)	186
NR (Network Reset)	186
CB command	187

Regulatory information

United States (FCC)	189
OEM labeling requirements	189
FCC notices	189
FCC-approved antennas (2.4 GHz)	191
RF exposure	196
Europe (CE)	197
Maximum power and frequency specifications	197
OEM labeling requirements	197
Declarations of conformity	198
Approved antennas	198
Innovation, Science and Economic Development Canada (ISED)	199
Labeling requirements	199
Transmitters with detachable antennas	199
Detachable antenna	199
Australia (RCM)/New Zealand (R-NZ)	200
Brazil (ANATEL)	200

Manufacturing information

Recommended solder reflow cycle	203
Recommended footprint	203
Mount the devices	205
Flux and cleaning	206
Rework	207

XBee Wi-Fi RF Module User Guide

The XBee Wi-Fi RF Module provides wireless connectivity to end-point devices in 802.11 bgn networks. Using the 802.11 feature set, these devices are interoperable with other 802.11 bgn devices, including devices from other vendors. With XBee Wi-Fi RF Module, you can have an 802.11 bgn network up and running in a matter of minutes.

The XBee Wi-Fi RF Modules are compatible with other devices that use 802.11 bgn technology. These include Digi external 802.11x devices like the ConnectPort products and the Digi Connect Wi-SP, as well as embedded products like the ConnectCore series and Digi Connect series of products.

Applicable firmware and hardware

This manual supports the following firmware:

- x202x

It supports the following hardware:

- XB2B-WFxx-xxx

Technical specifications

General specifications	14
RF characteristics	14
RF data rates	14
Receiver sensitivity	15
RF transmit power - typical	16
Error vector magnitude (EVM) maximum output power - typical	17
Electrical specifications	18
Serial communication specifications	19
GPIO specifications	20
Regulatory conformity summary	21

General specifications

The following table describes the general specifications for the devices.

Specification	XBee Wi-Fi through-hole	XBee Wi-Fi surface-mount
Dimensions	2.438 cm x 2.761 cm (0.960 in x 1.087 in)	2.200 x 3.378 cm (0.866 x 1.330 in)
Operating temperature	-30 to 85 °C	
Antenna options	PCB antenna, U.FL connector, RPSMA connector, or integrated wire	PCB antenna, U.FL connector, or RF pad

RF characteristics

The following table provides the RF characteristics for the device.

Specification	XBee Wi-Fi through-hole		XBee Wi-Fi surface-mount	
Frequency	Industrial, scientific and medical (ISM) 2.4 - 2.5 GHz			
Number of channels	13			
Adjustable power	Yes			
Wi-Fi standards	802.11 b, g, and n			
Transmit power output (average)	Up to +16 dBm +13 dBm for Europe/Australia and New Zealand/Brazil; see RF transmit power - typical			
FCC/IC test transmit power range (peak)	802.11b	2.73 to 26.81 dBm	802.11b	2.08 to 26.13 dBm
	802.11g	7.87 to 28.52 dBm	802.11g	7.15 to 27.72 dBm
	802.11n (800 ns GI)	8.03 to 28.75 dBm	802.11n (800 ns GI)	7.02 to 27.89 dBm
	802.11n (400 ns GI)	8.04 to 28.64 dBm	802.11n (400 ns GI)	7.33 to 28.20 dBm
RF data rates	1 Mb/s to 72.22 Mb/s; see RF data rates			
Serial data interface	UART up to 1 Mb/s, SPI up to 6 MHz			
Serial data throughput	UART up to 320 Kb/s, SPI up to 1 Mb/s			
Receiver sensitivity (25 °C, <10% PER)	-93 to -71 dBm; see Receiver sensitivity			

RF data rates

The following table provides the RF data rates for the device.

Standard	Data rates (Mb/s)
802.11b	1, 2, 5.5, 11
802.11g	6, 9, 12, 18, 24, 36, 48, 54

Standard	MCS index	Data rates (Mb/s)	
		800 ns guard interval	400 ns guard interval
802.11n	0	6.5	7.22
	1	13	14.44
	2	19.5	21.67
	3	26	28.89
	4	39	43.33
	5	52	57.78
	6	58.5	65
	7	65	72.22

Receiver sensitivity

The following table lists the available data rates along with the corresponding receiver sensitivity.

Receiver sensitivity (25 °C, < 10% PER)		
Standard	Data rate	Sensitivity (dBm)
802.11b	1 Mb/s	-93
	2 Mb/s	-91
	5.5 Mb/s	-90
	11 Mb/s	-87
802.11g	6 Mb/s	-91
	9 Mb/s	-89
	12 Mb/s	-88
	18 Mb/s	-86
	24 Mb/s	-83
	36 Mb/s	-80
	48 Mb/s	-76
	54 Mb/s	-74

Receiver sensitivity (25 °C, < 10% PER)		
Standard	Data rate	Sensitivity (dBm)
802.11n	MCS 0 6.5/7.22 Mb/s	-91
	MCS 1 13/14.44 Mb/s	-88
	MCS 2 19.5/21.67 Mb/s	-85
	MCS 3 26/28.89 Mb/s	-82
	MCS 4 39/43.33 Mb/s	-78
	MCS 5 52/57.78 Mb/s	-74
	MCS 6 58.5/65 Mb/s	-73
	MCS 7 65/72.22 Mb/s	-71

RF transmit power - typical

The following table provides the average RF transmit power for the device.

Standard	Data rate	Power (dBm)	
		North America/Japan	Europe/Australia and New Zealand/Brazil
802.11b	1 Mb/s	16	13
	2 Mb/s		
	5.5 Mb/s		
	11 Mb/s		
802.11g	6 Mb/s	16	13
	9 Mb/s		
	12 Mb/s		
	18 Mb/s		
	24 Mb/s		
	36 Mb/s		
	48 Mb/s	14	13
	54 Mb/s		

Standard	Data rate	Power (dBm)	
		North America/ Japan	Europe/Australia and New Zealand/Brazil
802.11n	MCS 0 6.5/7.22 Mb/s	15	13
	MCS 1 13/14.44 Mb/s		
	MCS 2 19.5/21.67 Mb/s		
	MCS 3 26/28.89 Mb/s		
	MCS 4 39/43.33 Mb/s		
	MCS 5 52/57.78 Mb/s		
	MCS 6 58.5/65 Mb/s	14	13
MCS 7 65/72.22 Mb/s	8.5	8.5	

Error vector magnitude (EVM) maximum output power - typical

The following table shows the EVM at 25 °C, maximum output power.

Standard	Data rate	EVM (dB)
802.11b	1 Mb/s	-40
	2 Mb/s	-40
	5.5 Mb/s	-38
	11 Mb/s	-36
802.11g	6 Mb/s	-18
	9 Mb/s	-20
	12 Mb/s	-21
	18 Mb/s	-22
	24 Mb/s	-22
	36 Mb/s	-23
	48 Mb/s	-25
	54 Mb/s	-26

Standard	Data rate	EVM (dB)
802.11n	MCS 0 6.5/7.22 Mb/s	-19
	MCS 1 13/14.44 Mb/s	-21
	MCS 2 19.5/21.67 Mb/s	-22
	MCS 3 26/28.89 Mb/s	-24
	MCS 4 39/43.33 Mb/s	-25
	MCS 5 52/57.78 Mb/s	-25
	MCS 6 58.5/65 Mb/s	-26
	MCS 7 65/72.22 Mb/s	-28

Electrical specifications

The following table provides the electrical specifications for the XBee Wi-Fi RF Module.

Specification	XBee Wi-Fi
Supply voltage	3.14 - 3.46 VDC

Specification	XBee Wi-Fi		
Operating current (transmit, maximum output power)	802.11b	1 Mb/s	309 mA
		2 Mb/s	
		5.5 Mb/s	
		11 Mb/s	
	802.11g	6 Mb/s	271 mA
		9 Mb/s	
		12 Mb/s	
		18 Mb/s	
		24 Mb/s	
		36 Mb/s	
		48 Mb/s	225 mA
		54 Mb/s	
	802.11n	MCS 0 6.5/7.22 Mb/s	260 mA
		MCS 1 13/14.44 Mb/s	
MCS 2 19.5/21.67 Mb/s			
MCS 3 26/28.89 Mb/s			
MCS 4 39/43.33 Mb/s			
MCS 5 52/57.78 Mb/s			
MCS 6 58.5/65 Mb/s		217 mA	
MCS 7 65/72.22 Mb/s	184 mA		
Operating current (receive)	100 mA		
Deep sleep current	6 µA @ 25 °C		
Associated sleep current	2 mA asleep, 100 mA awake. For more information, see AP Associated Sleep mode .		

Serial communication specifications

The XBee Wi-Fi RF Module supports both Universal Asynchronous Receiver / Transmitter (UART) and Serial Peripheral Interface (SPI) serial connections.

UART pin assignments

Specifications	Device pin number	
	XBee (surface-mount)	XBee (through-hole)
DIO13/DOUT	3	2
DIO14/DIN	4	3
DIO7/ $\overline{\text{CTS}}$	25	12
DIO6/ $\overline{\text{RTS}}$	29	16

For more information on UART operation, see [UART data flow](#).

SPI pin assignments

Specifications	Device pin number	
	XBee (surface-mount)	XBee (through-hole)
DIO2/SPI_SCLK	14	18
DIO3/SPI_SSEL	15	17
DIO4/SPI_MOSI	16	11
DIO12/SPI_MISO	17	4
DIO1/SPI_ATT $\overline{\text{N}}$	12	19

For more information on SPI operation, see [SPI communications](#).

GPIO specifications

The XBee Wi-Fi RF Modules have 14 (through-hole version) and 20 (surface-mount version) General Purpose Input Output (GPIO) ports available. The exact list depends on the device configuration, as some GPIO pads are used for purposes such as serial communication.

See [I/O sampling](#) for more information on configuring and using GPIO ports. The following table provides the electrical specifications for the GPIO pads.

Parameter	Condition	Min	Max	Units
Input low voltage			0.3 VDD	V
Input high voltage		0.7 VDD		V
Output high voltage relative to VDD	Sourcing 2 mA, VDD = 3.3 V	85		%
Output low voltage relative to VDD	Sinking 2 mA, VDD = 3.3 V		15	%

Parameter	Condition	Min	Max	Units
Output fall time	2 mA drive strength and load capacitance CL= 350 - 600 pF.	20 +0.1 CL	250	ns
I/O pin hysteresis (VIOTHR+ - VIOTHR-)	VDD = 3.14 to 3.46 V	0.1 VDD		V
Pulse width of pulses to be removed by the glitch suppression filter		10	50	ns

Regulatory conformity summary

This table describes the agency approvals for the devices.

Country	XBee Wi-Fi through-hole	XBee Wi-Fi surface-mount
United States (FCC Part 15.247)	FCC ID: MCQ-XBS6B	FCC ID: MCQ-S6BSM
Innovation, Science and Economic Development Canada (ISED)	IC: 1846A-XBS6B	IC: 1846A-S6BSM
Europe (CE)	Yes	Yes
Australia	RCM	RCM
New Zealand	R-NZ	R-NZ
Brazil	ANATEL: 2672-13-1209	ANATEL: 2672-13-1209
Japan	R210-101056	R210-101057

For details about FCC Approval (USA), see [Regulatory information](#).

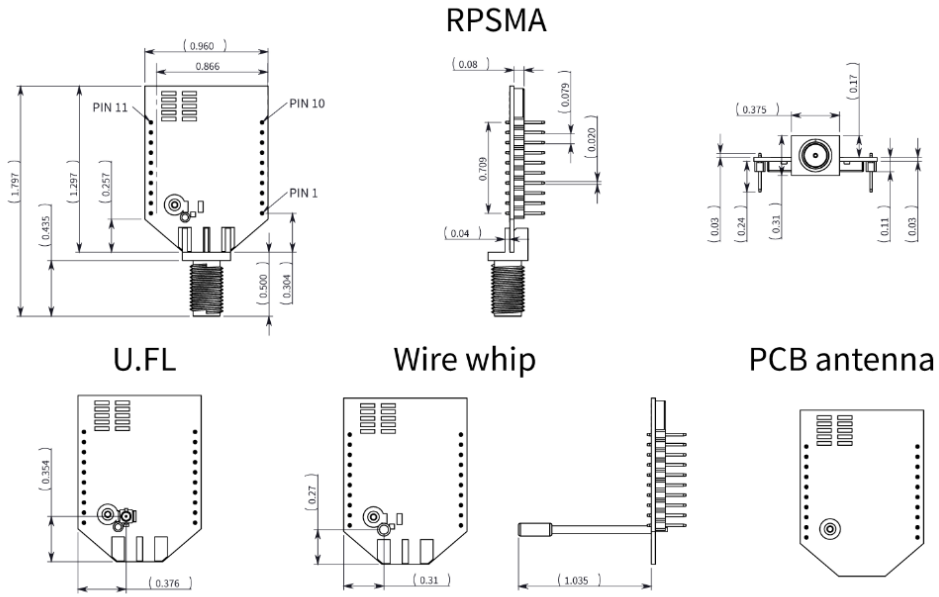
Hardware

Mechanical drawings	23
Pin signals	24
Design notes	26
Design notes for RF pad devices	30
Mounting considerations	32

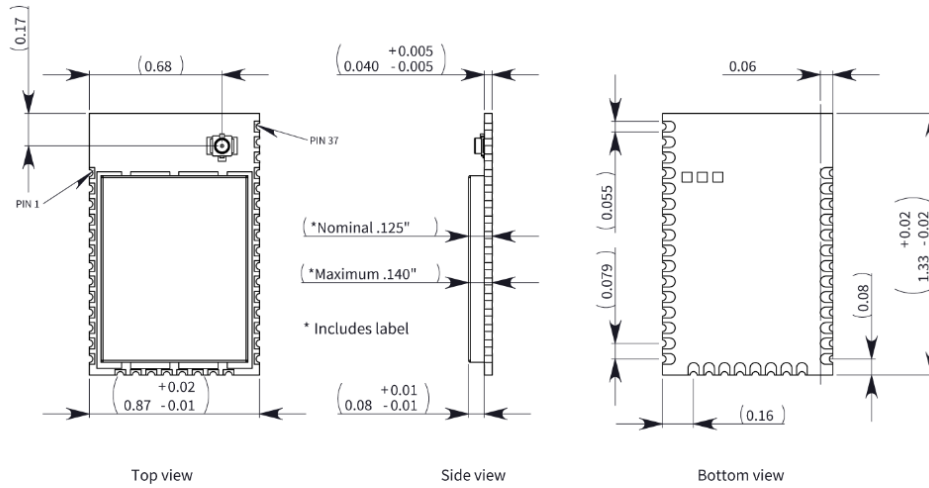
Mechanical drawings

The following figures show the mechanical drawings for the XBee Wi-Fi RF Module. The drawings do not show antenna options. All dimensions are in inches.

Through-hole device



Surface-mount device



Pin signals

The following table describes the pin assignments for the through-hole device. A horizontal line above the signal name indicates low-asserted signals.

Pin #	Name	Direction	Default state	Description
1	VCC	-	-	Power supply
2	DIO13/DOUT	Both	Output	UART data out
3	DIO14/DIN/CONFIG	Both	Input	UART data In
4	DIO12/SPI_MISO	Both	Disabled	GPIO/ SPI slave out
5	RESET	Input	Input	Device reset
6	DIO10/RSSI PWM/PWM0	Both	Output	RX signal strength indicator/GPIO
7	DIO11/PWM1	Both	Disabled	GPIO
8	Reserved	-	-	Do not connect
9	DIO8/DTR/SLEEP_RQ	Both	Input	Pin sleep control line /GPIO
10	GND	-	-	Ground
11	DIO4/SPI_MOSI	Both	Disabled	GPIO/SPI slave In

Pin #	Name	Direction	Default state	Description
12	DIO7/ $\overline{\text{CTS}}$	Both	Output	Clear-to-send flow control/GPIO
13	DIO9/ $\overline{\text{ON_SLEEP}}$	Both	Output	Device status indicator/GPIO
14	VREF	-	-	Not connected
15	DIO5/ $\overline{\text{ASSOCIATE}}$	Both	Output	Associate indicator/GPIO
16	DIO6/ $\overline{\text{RTS}}$	Both	Input	Request-to-send flow control/GPIO
17	DIO3/ $\overline{\text{AD3_SPI_SSEL}}$	Both	Disabled	Analog input/GPIO/SPI slave select
18	DIO2/ $\overline{\text{AD2_SPI_CLK}}$	Both	Disabled	Analog input/GPIO/SPI clock
19	DIO1/ $\overline{\text{AD1_SPI_ATTN}}$	Both	Disabled	Analog input/GPIO/SPI attention
20	DIO0/ $\overline{\text{AD0_CB}}$	Both	Disabled	Analog Input/Commissioning Button/GPIO

The following table describes the pin assignments for the surface-mount device. A horizontal line above the signal name indicates low-asserted signals.

Pin #	Name	Direction	Default state	Description
1	GND	-	-	Ground
2	VCC	-	-	Power supply
3	DIO13/ $\overline{\text{DOUT}}$	Both	Output	UART data out
4	DIO14/ $\overline{\text{DIN_CONFIG}}$	Both	Input	UART data in
5	DIO12	Both	Disabled	GPIO
6	$\overline{\text{RESET}}$	Input	Input	Device reset
7	DIO10/ $\overline{\text{RSSI}}$ PWM/PWM0	Both	Output	RX signal strength indicator/GPIO
8	DIO11/ $\overline{\text{PWM1}}$	Both	Disabled	GPIO
9	Reserved	-	-	Do not connect
10	DIO8/ $\overline{\text{DTR_SLEEP_RQ}}$	Both	Input	GPIO
11	GND	-	-	Ground
12	DIO19/ $\overline{\text{SPI_ATTN}}$	Both	Output	GPIO/SPI attention
13	GND	-	-	Ground
14	DIO18/ $\overline{\text{SPI_CLK}}$	Both	Input	GPIO/SPI clock
15	DIO17/ $\overline{\text{SPI_SSEL}}$	Both	Input	GPIO/SPI slave select

Pin #	Name	Direction	Default state	Description
16	DIO16/SPI_SI	Both	Input	GPIO/SPI slave in
17	DIO15/SPI_SO	Both	Output	GPIO/SPI slave out
18	Reserved	-	-	Do not connect
19	Reserved	-	-	Do not connect
20	Reserved	-	-	Do not connect
21	Reserved	-	-	Do not connect
22	GND	-	-	Ground
23	Reserved	-	-	Do not connect
24	DIO4	Both	Disabled	GPIO
25	DIO7/ $\overline{\text{CTS}}$	Both	Output	Clear-to-send flow control/ GPIO
26	DIO9/ $\overline{\text{ON_SLEEP}}$	Both	Output	Device status indicator/GPIO
27	VREF	-	-	Not connected
28	DIO5/ASSOC	Both	Output	Associate indicator/GPIO
29	DIO6/ $\overline{\text{RTS}}$	Both	Input	Request-to-send flow control/ GPIO
30	DIO3/AD3	Both	Disabled	Analog input/GPIO
31	DIO2/AD2	Both	Disabled	Analog input/GPIO
32	DIO1/AD1	Both	Disabled	Analog input/GPIO
33	DIO0/AD0/CB	Both	Disabled	Analog input/Commissioning Button/GPIO
34	Reserved	-	-	Do not connect
35	GND	-	-	Ground
36	RF	Both	-	RF I/O for RF pad variant
37	Reserved	-	-	Do not connect

Design notes

The XBee devices do not specifically require any external circuitry specific connections for proper operation. However, there are some general design guidelines that we recommend for help in troubleshooting and building a robust design.

Power supply

A poor power supply can lead to poor device performance, especially if you do not keep the supply voltage within tolerance or if it is excessively noisy. To help reduce noise, place a 1.0 μF and 8.2 pF capacitor as near as possible to pin 1 on the PCB. If you are using a switching regulator for the power

supply, switch the frequencies above 500 kHz. Limit the power supply ripple to a maximum 50 mV peak to peak.

Pin connection recommendations

The only required pin connections are VCC, GND, and either DOUT and DIN or SPI_CLK, SPI_SSEL, SPI_MOSI, and SPI_MISO. To support serial firmware updates, you should connect VCC, GND, DOUT, DIN, RTS, and DTR.

Leave all unused pins disconnected. Use the **PR** command to pull all of the inputs on the device high using 40 k internal pull-up resistors. You do not need a specific treatment for unused outputs.

For applications that need to ensure the lowest sleep current, never leave inputs floating. Use internal or external pull-up or pull-down resistors, or set the unused I/O lines to outputs. You can achieve the deep sleep (pin sleep) current specification using a standard XBee Interface Board with the XBee Wi-Fi RF Module's pull-up and pull-down resistors configured as default.

You can connect other pins to external circuitry for convenience of operation. For example, the Associate signal (TH pin 15/SMT pin 28) and the ON_SLEEP signal (TH pin 13/SMT pin 26) will change level or behavior based on the state of the device.

Board layout

When designing the host PCB, account for the device dimensions shown in [Mechanical drawings](#). See [Manufacturing information](#) for the recommended footprints and required keepout areas. Use good design practices when connecting power and ground, making those traces wide enough to comfortably support the maximum currents or using planes if possible.

Antenna performance

Antenna location is important for optimal performance. The following suggestions help you achieve optimal antenna performance. Point the antenna up vertically (upright). Antennas radiate and receive the best signal perpendicular to the direction they point, so a vertical antenna's omnidirectional radiation pattern is strongest across the horizon.

Position the antennas away from metal objects whenever possible. Metal objects between the transmitter and receiver can block the radiation path or reduce the transmission distance. Objects that are often overlooked include:

- metal poles
- metal studs
- structure beams
- concrete, which is usually reinforced with metal rods

If you place the device inside a metal enclosure, use an external antenna. Common objects that have metal enclosures include:

- vehicles
- elevators
- ventilation ducts
- refrigerators
- microwave ovens

- batteries
- tall electrolytic capacitors

Do not place XBee devices with the chip or integrated PCB antenna inside a metal enclosure.

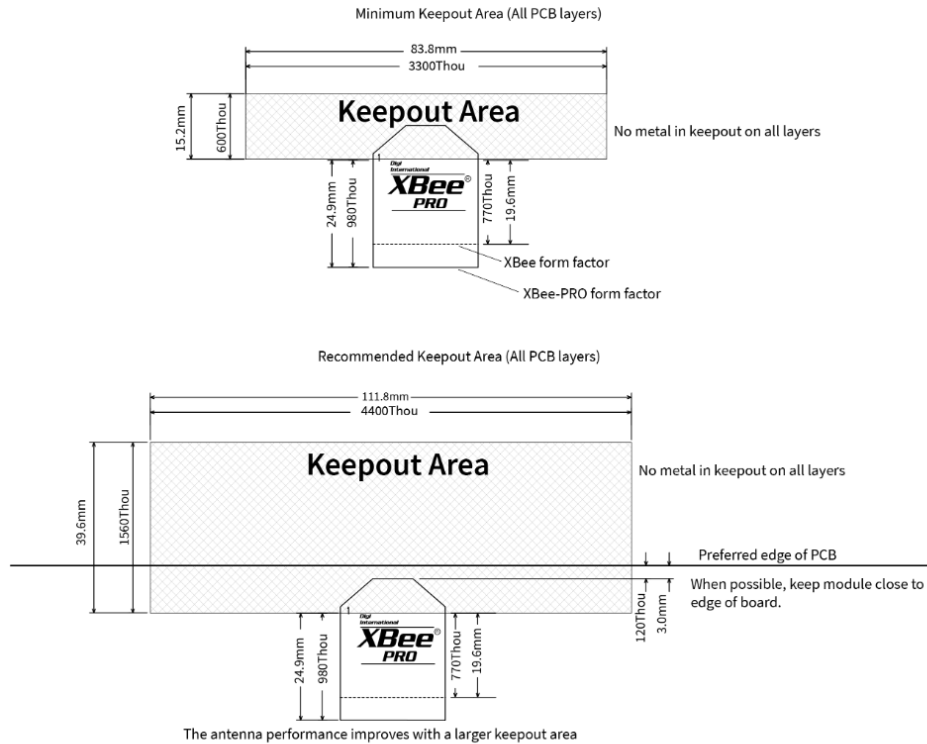
Do not place any ground planes or metal objects above or below the antenna.

For the best results, mount the device at the edge of the host PCB. Ensure that the ground, power, and signal planes are vacant immediately below the antenna section.

Keepout area

The following drawings show important recommendations for designing with the PCB antenna device using the through-hole and surface-mount devices. Do not mount the surface-mount PCB antenna device on the RF Pad footprint because that footprint requires a ground plane within the keepout area.

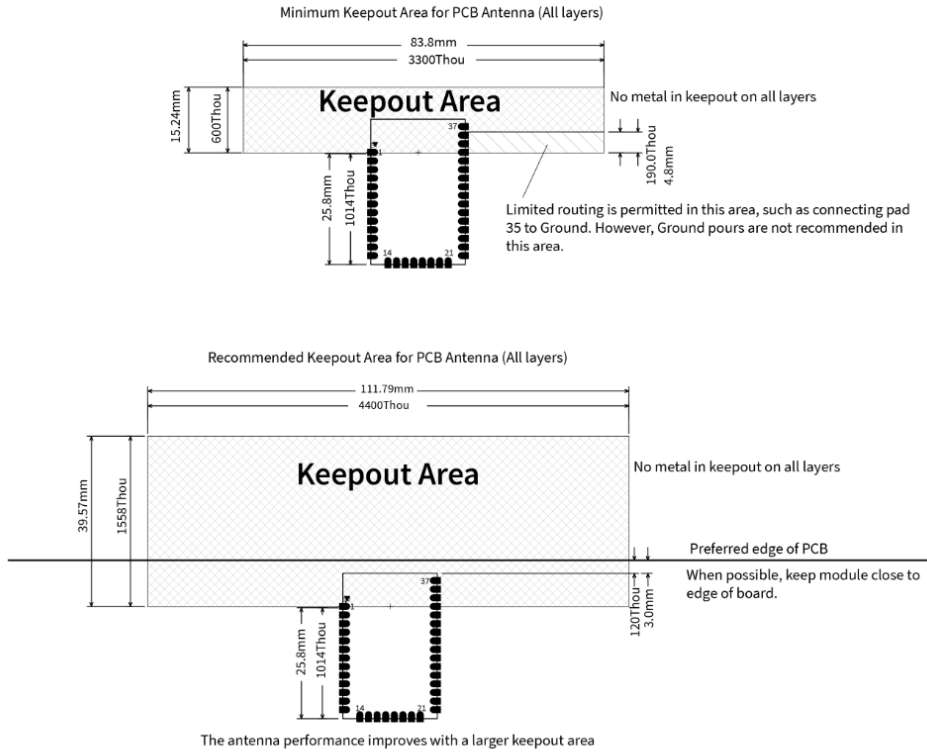
Through-hole keepout



Notes

1. We recommend non-metal enclosures. For metal enclosures, use an external antenna.
2. Keep metal chassis or mounting structures in the keepout area at least 2.54 cm (1 in) from the antenna.
3. Maximize the distance between the antenna and metal objects that might be mounted in the keepout area.
4. These keepout area guidelines do not apply for wire whip antennas or external RF connectors. Wire whip antennas radiate best over the center of a ground plane.

Surface-mount keepout



Notes

1. We recommend non-metal enclosures. For metal enclosures, use an external antenna.
2. Keep metal chassis or mounting structures in the keepout area at least 2.54 cm (1 in) from the antenna.
3. Maximize the distance between the antenna and metal objects that might be mounted in the keepout area.

4. These keepout area guidelines do not apply for wire whip antennas or external RF connectors. Wire whip antennas radiate best over the center of a ground plane.

Design notes for RF pad devices

The RF pad is a soldered antenna connection. The RF signal travels from pin 33 the RF pad connection (pad 33 on micro modules and pad 36 on surface-mount modules) on the device to the antenna through an RF trace transmission line on the PCB. Any additional components between the device and antenna violates modular certification. The controlled impedance for the RF trace is 50 Ω .

We recommend using a microstrip trace, although you can also use a coplanar waveguide if you need more isolation. A microstrip generally requires less area on the PCB than a coplanar waveguide. We do not recommend using a stripline because sending the signal to different PCB layers can introduce matching and performance problems.

Following good design practices is essential when implementing the RF trace on a PCB. Consider the following points:

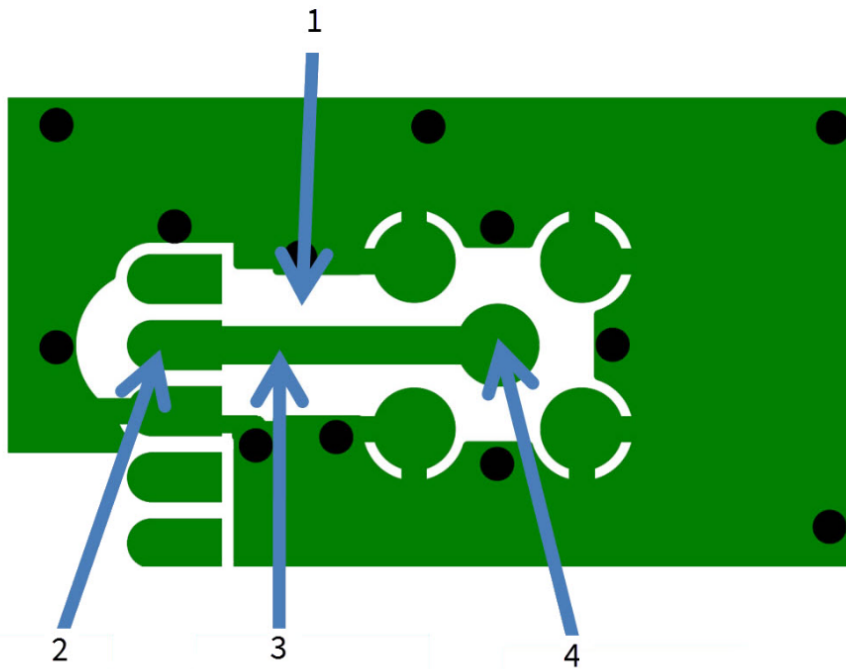
- Minimize the length of the trace by placing the RPSMA jack close to the device.
- Connect all of the grounds on the jack and the device to the ground planes directly or through closely placed vias.
- Space any ground fill on the top layer at least twice the distance **d** (in this case, at least 0.028") from the microstrip to minimize their interaction.

Additional considerations:

- The top two layers of the PCB have a controlled thickness dielectric material in between.
- The second layer has a ground plane which runs underneath the entire RF pad area. This ground plane is a distance **d**, the thickness of the dielectric, below the top layer.
- The top layer has an RF trace running from pin 33 of the device to the RF pin of the RPSMA connector.
- The RF trace width determines the impedance of the transmission line with relation to the ground plane. Many online tools can estimate this value, although you should consult the PCB manufacturer for the exact width.

Implementing these design suggestions helps ensure that the RF pad device performs to its specifications.

The following figures show a layout example of a host PCB that connects an RF pad device to a right angle, through-hole RPSMA jack.

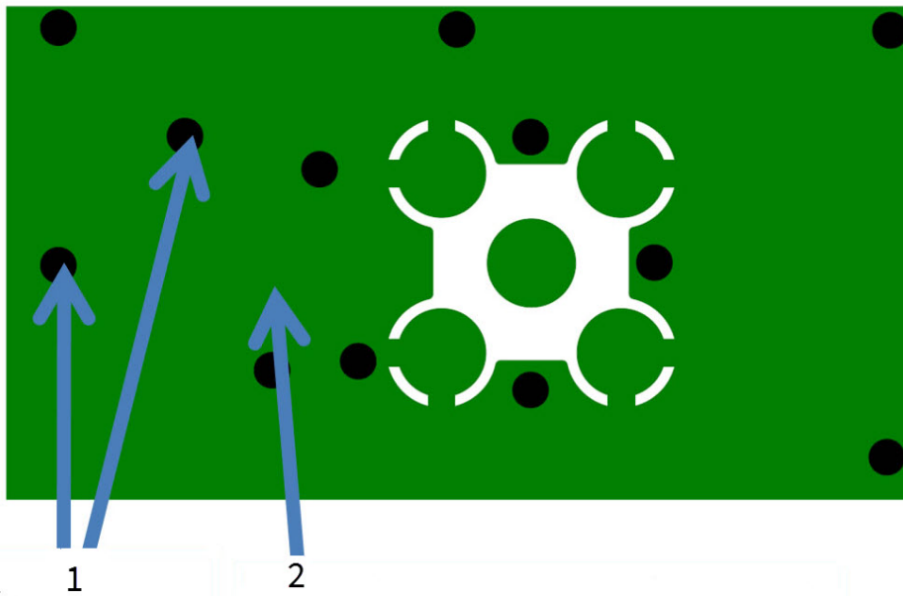


Number	Description
1	Maintain a distance of at least 2 d between microstrip and ground fill.
2	Device pin 33.
2	RF pad pin.
3	50 Ω microstrip trace.
4	RF connection of RPSMA jack.

The width in this example is approximately 0.025 in for a 50 Ω trace, assuming $d = 0.014$ in, and that the dielectric has a relative permittivity of 4.4. This trace width is a good fit with the device footprint's 0.335" pad width.

Note We do not recommend using a trace wider than the pad width, and using a very narrow trace (under 0.010") can cause unwanted RF loss.

The following illustration shows PCB layer 2 of an example RF layout.



Number	Description
1	Use multiple vias to help eliminate ground variations.
2	Put a solid ground plane under RF trace to achieve the desired impedance.

Mounting considerations

We design the through-hole device to mount into a receptacle so that you do not have to solder the device when you mount it to a board. The interface boards provided in the XBee Wi-Fi Development Kit has two ten-pin receptacles for connecting the device.

Century Interconnect manufactures the receptacles used on Digi development boards. Several other manufacturers provide comparable mounting solutions; however, Digi currently uses the following receptacles:

- Through-hole single-row receptacles: Samtec part number: MMS-110-01-L-SV (or equivalent)
- Through-hole single-row receptacles: Mill-Max part number: 831-43-0101-10-001000
- Surface-mount double-row receptacles: Century Interconnect part number: CPRMSL20-D-0-1 (or equivalent)
- Surface-mount single-row receptacles: Samtec part number: SMM-110-02-SM-S

Note We recommend that you print an outline of the device on the board to indicate the correct orientation for mounting the device.

Operation

Serial interface	34
UART data flow	34
Serial data	34
SPI communications	35
Serial buffers	36
UART flow control	37
The Commissioning Button	38
Connection indicators	39
Perform a serial firmware update	40

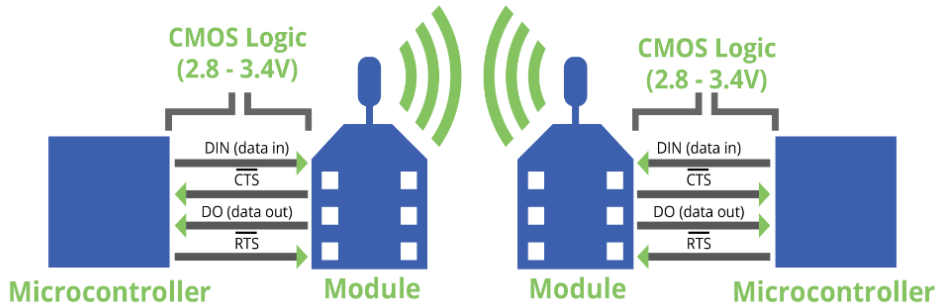
Serial interface

The XBee Wi-Fi RF Module interfaces to a host device through a serial port. The device's serial port can communicate:

- Through a logic and voltage compatible universal asynchronous receiver/transmitter (UART).
- Through a level translator to any serial device, for example, through an RS-232 or USB interface board.
- Through a serial peripheral interface (SPI) port.

UART data flow

Devices that have a UART interface connect directly to the pins of the XBee Wi-Fi RF Module as shown in the following figure. The figure shows system data flow in a UART-interfaced environment. Low-asserted signals have a horizontal line over the signal name.

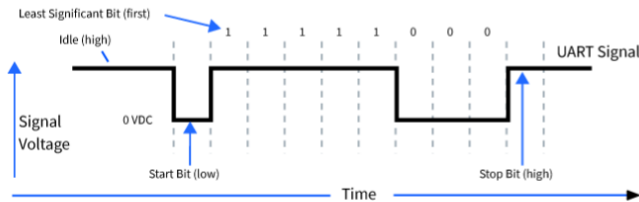


Serial data

A device sends data to the XBee Wi-Fi RF Module's UART through TH pin 3/SMT pin 4 DIN as an asynchronous serial signal. When the device is not transmitting data, the signals should idle high.

For serial communication to occur, you must configure the UART of both devices (the microcontroller and the XBee Wi-Fi RF Module) with compatible settings for the baud rate, parity, start bits, stop bits, and data bits.

Each data byte consists of a start bit (low), 8 data bits (least significant bit first) and a stop bit (high). The following diagram illustrates the serial bit pattern of data passing through the device. The diagram shows UART data packet 0x1F (decimal number 31) as transmitted through the device.



You can configure the UART baud rate, parity, and stop bits settings on the device with the **BD**, **NB**, and **SB** commands respectively. For more information, see [Serial interfacing commands](#).

In the rare case that a device has been configured with the UART disabled, you can recover the device to UART operation by holding DIN low at reset time. DIN forces a default configuration on the UART at 9600 baud and it brings the device up in Command mode on the UART port. You can then send the appropriate commands to the device to configure it for UART operation. If those parameters are written, the device comes up with the UART enabled on the next reset.

SPI communications

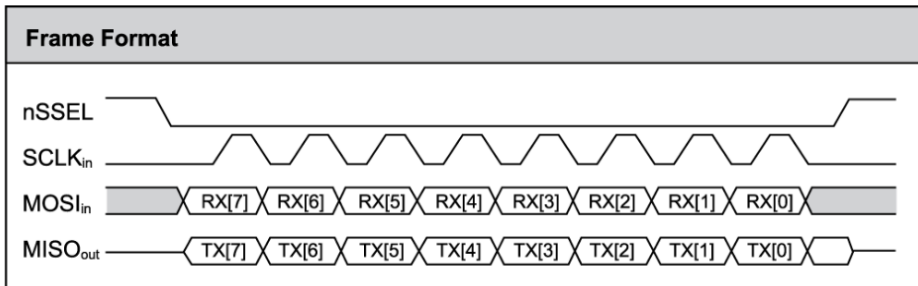
The XBee Wi-Fi RF Module supports SPI communications in slave mode. Slave mode receives the clock signal and data from the master and returns data to the master. The following table shows the signals that the SPI port uses on the device.

Signal	Function
SPI_MOSI (Master Out, Slave In)	Inputs serial data from the master
SPI_MISO (Master In, Slave Out)	Outputs serial data to the master
SPI_SCLK (Serial Clock)	Clocks data transfers on MOSI and MISO
SPI_SSEL (Slave Select)	Enables serial communication with the slave
SPI_ATTN (Attention)	Alerts the master that slave has data queued to send. The XBee Wi-Fi RF Module asserts this pin as soon as data is available to send to the SPI master and it remains asserted until the SPI master has clocked out all available data.

In this mode:

- Data is most significant bit (MSB) first; bit 7 is the first bit of a byte sent over the interface.
- Frame Format mode 0 is used. This means CPOL= 0 (idle clock is low) and CPHA = 0 (data is sampled on the clock's leading edge).
- The SPI port only supports API Mode (**AP = 1**).

The following diagram shows the frame format mode 0 for SPI communications.



SPI mode is chip to chip communication. We do not supply a SPI communication option on the device development evaluation boards.

Select the SPI port

On the through-hole devices, you can force SPI mode by holding DOUT/DIO13 low while resetting the device until SPI_ATTEN asserts. This causes the device to disable the UART and go straight into SPI communication mode. Once configuration is complete, the device queues a modem status frame to the SPI port, which causes the SPI_ATTEN line to assert. The host can use this to determine that the SPI port is configured properly. This method forces the configuration to provide full SPI support for the following parameters:

- **D1** (This parameter will only be changed if it is at a default of zero when the method is invoked.)
- **D2**
- **D3**
- **D4**
- **P2**

As long as the host does not issue a **WR** command, these configuration values revert to previous values after a power-on reset. If the host issues a **WR** command while in SPI mode, these same parameters are written to flash. After a reset, parameters that were forced and then written to flash become the mode of operation.

If the UART is disabled and the SPI is enabled in the written configuration, then the device comes up in SPI mode without forcing it by holding DOUT low. If both the UART and the SPI are enabled at the time of reset, then output goes to the UART until the host sends the first input. If that first input comes on the SPI port, then all subsequent output goes to the SPI port and the UART is disabled. If the first input comes on the UART, then all subsequent output goes to the UART and the SPI is disabled.

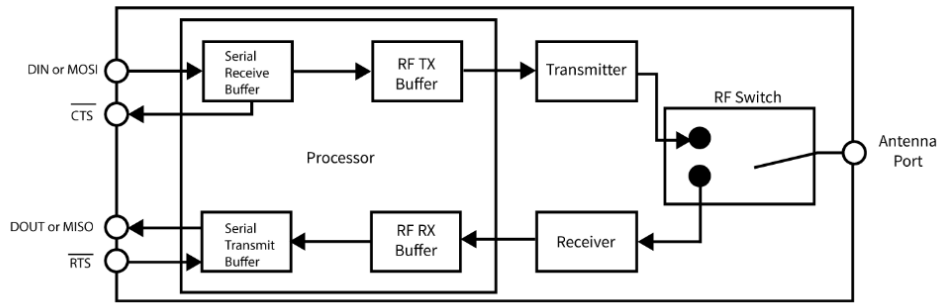
Once you select a serial port (UART or SPI), all subsequent output goes to that port, even if you apply a new configuration. The only way to switch the selected serial port is to reset the device. On surface-mount devices, forcing DOUT low at the time of reset has no effect. To use SPI mode on the SMT devices, assert the SPI_SSEL (TH pin 17/SMT pin 15) low after reset and before any UART data is input.

When the master asserts the slave select (SPI_SSEL) signal, SPI transmit data is driven to the output pin SPI_MISO, and SPI data is received from the input pin SPI_MOSI. The SPI_SSEL pin has to be asserted to enable the transmit serializer to drive data to the output signal SPI_MISO. A rising edge on SPI_SSEL causes the SPI_MISO line to be tri-stated such that another slave device can drive it, if so desired.

If the output buffer is empty, the SPI serializer transmits the last valid bit repeatedly, which may be either high or low. Otherwise, the device formats all output in API mode 1 format, as described in [Operate in API mode](#). The attached host is expected to ignore all data that is not part of a formatted API frame.

Serial buffers

The XBee Wi-Fi RF Module maintains internal buffers to collect serial and RF data that it receives. The serial receive buffer collects incoming serial characters and holds them until the device can process them. The serial transmit buffer collects the data it receives via the RF link until it transmits that data out the UART or SPI port. The following figure shows the process of device buffers collecting received serial data.



Serial receive buffer

When serial data enters the device through the DIN pin (or the MOSI pin), it stores the data in the serial receive buffer until the device can process it. Under certain conditions, the device may not be able to process data in the serial receive buffer immediately. If large amounts of serial data are sent to the device such that the serial receive buffer would overflow, then it discards new data. If the UART is in use, you can avoid this by the host side honoring CTS flow control.

Serial transmit buffer

When the device receives RF data, it moves the data into the serial transmit buffer and sends it out the UART or SPI port. If the serial transmit buffer becomes full and the system buffers are also full, then it drops the entire RF data packet. Whenever the device receives data faster than it can process and transmit the data out the serial port, there is a potential of dropping data, even in TCP mode.

UART flow control

You can use the $\overline{\text{RTS}}$ and $\overline{\text{CTS}}$ pins to provide $\overline{\text{RTS}}$ and/or $\overline{\text{CTS}}$ flow control. $\overline{\text{CTS}}$ flow control provides an indication to the host to stop sending serial data to the device. $\overline{\text{RTS}}$ flow control allows the host to signal the device to not send data in the serial transmit buffer out the UART. To enable $\overline{\text{RTS/CTS}}$ flow control, use the **D6** and **D7** commands.

Note Serial port flow control is not possible when using the SPI port.

$\overline{\text{CTS}}$ flow control

The **FT** command allows you to specify how many bytes of data can be queued up in the serial transmit buffer before the device asserts $\overline{\text{CTS}}$ low. The serial receive buffer can hold up to 2100 bytes, but **FT** cannot be set any larger than 2083 bytes, leaving 17 bytes that can be sent by the host before the data is dropped.

By default, **FT** is 2035 (0x7F3), which allows the host to send 65 bytes to the device after the device asserts $\overline{\text{CTS}}$ before the data is dropped. In either case, $\overline{\text{CTS}}$ is not re-asserted until the serial receive buffer has **FT**-17 or less bytes in use.

$\overline{\text{RTS}}$ flow control

If you send **D6 (DIO6 Configuration)** to enable $\overline{\text{RTS}}$ flow control, the device does not send data in the serial transmit buffer out the DOUT pin as long as $\overline{\text{RTS}}$ is de-asserted (set high). Do not de-assert $\overline{\text{RTS}}$

for long periods of time or the serial transmit buffer will fill. If the device receives an RF data packet and the serial transmit buffer does not have enough space for all of the data bytes, it discards the entire RF data packet.

If the device sends data out the UART when $\overline{\text{RTS}}$ is de-asserted (set high) the device could send up to four characters out the UART port after $\overline{\text{RTS}}$ is de-asserted. This means your application needs to de-assert $\overline{\text{RTS}}$ by the time its receive capacity is within 4 bytes of full.

The Commissioning Button

The XBee Wi-Fi RF Module supports a set of commissioning and LED functions to help you deploy and commission devices. These functions include the Commissioning Button definitions and the associated LED functions.

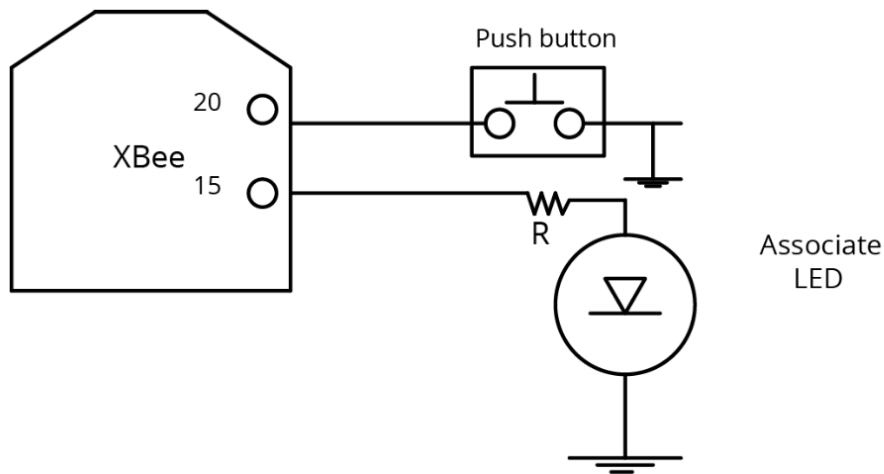
To enable the Commissioning Button functionality on TH pin 20/SMT pin 33, set **DO command** to 1. The functionality is enabled by default.

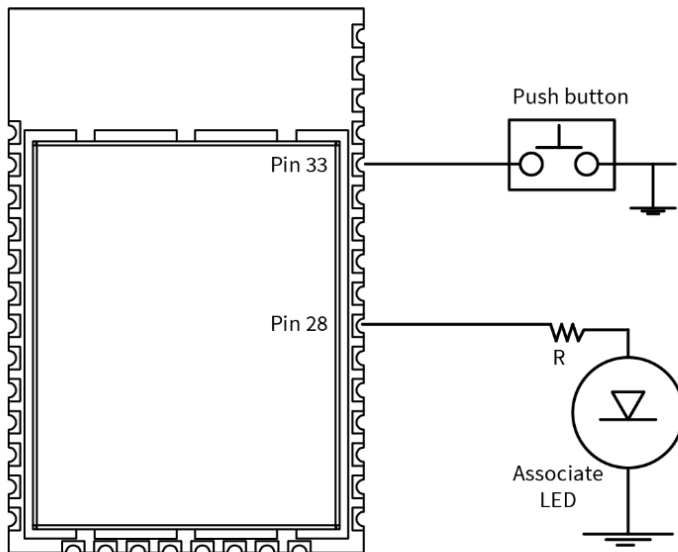
Use the **CB** command to simulate button presses in software. Send **CB** with a parameter set to the number of button presses to perform. For example, if you send **CB2**, the device performs the action(s) associated with two button presses, **CB4** is four button presses. See **CB command**.

It provides two different services:

- Two button presses in fast sequence invoke WPS; see [Wi-Fi Protected Setup \(WPS\)](#).
- Four button presses in fast sequence force the device into Soft AP Provisioning mode by clearing the SSID and security parameters. It also ensures that Soft AP mode is enabled. After the four button presses clear the security parameters, they are NOT written. Send a separate **WR command**, if desired.

The following features can be supported in hardware. Connect a pushbutton and an LED to XBee Wi-Fi RF Module pins 33 and 28 (SMT), or pins 20 and 15 (TH) respectively to support Commissioning Button definitions and the associated LED functions.





Connection indicators

There are four connection indicators in this software:

- [AI \(Association Indication\)](#)
- [The Associate LED](#)
- [TCP connection indicator](#)
- [Remote Manager connection indicator](#)

The Associate LED

The Associate pin (TH pin 15/SMT pin 28) provides an indication of when the device associates with an access point (AP). To take advantage of these indications, connect an LED to the Associate pin.

To enable the Associate LED functionality, set [D5 \(DIO5 Configuration\)](#) to 1; it is enabled by default. If enabled, the Associate pin is configured as an output.

Use [LT command](#) to override the blink rate of the Associate pin. If you set [LT](#) to 0, the device uses the default blink time: 250 ms.

TCP connection indicator

In Transparent mode, only one TCP connection is allowed and you can configure [DIO12](#) (also known as CD) to indicate whether or not that TCP socket is connected. To enable [DIO12](#), set [P2 \(DIO12 Configuration\)](#) to 6. When so configured, [DIO12](#) outputs a low signal when the TCP socket is connected and it outputs a high signal when the TCP socket is disconnected. The high signal remains when operating in UDP mode because there is never be a TCP connection.

Remote Manager connection indicator

AI (Association Indication) and the Associate LED indicate when the device is fully associated with the access point (AP), but there is another level of connectivity provided by **DI** (Remote Manager Indicator) that tells whether or not the TCP socket to Digi Remote Manager is connected. The values defined for **DI** are:

- **0** = Connected to Remote Manager
- **1** = Configured, but not yet associated to AP
- **2** = Associated to AP, but not yet connected to Remote Manager
- **3** = Disconnecting from Remote Manager
- **4** = Not configured to connect to Remote Manager

When **DI** is either **2** or **3**, the Associate LED has a different blink pattern that looks like this:



Where the low signal means LED off and the high signal means LED on.

The normal association LED signal alternates evenly between high and low as shown below:



Perform a serial firmware update

Serial firmware updates use the XBee bootloader which ships in all devices. This bootloader allows you to update the firmware. Normally, the running application can be told to invoke the bootloader through a command from XCTU. If that command is not available in the currently loaded firmware, the bootloader includes a modified entry mechanism using pins TH pin 3/SMT pin 4, TH pin 9/SMT pin 10, and TH pin 16/SMT pin 29 (DIN, DTR, and RTS, respectively).

To force the XBee bootloader to run and load a new version of the firmware, at the time the device is reset:

1. Drive $\overline{\text{DIN}}$ low.
2. Drive $\overline{\text{DTR}}$ low.
3. Drive RTS high.

This method works even when the current firmware version does not support the firmware update feature. XCTU can update firmware on the XBee Wi-Fi RF Module over the UART port, but not over the SPI port. Contact Digi support for details.

Modes

Serial modes	42
Modes of operation	47
Sleep modes	49
Soft AP mode	49

Serial modes

The firmware operates in several different modes. Two top-level modes establish how the device communicates with other devices through its serial interface: Transparent operating mode and API operating mode. Use the **AP** command to choose Serial mode. XBee Wi-Fi RF Modules use Transparent operation as the default serial mode.

The following modes describe how the serial port sends and receives data.

Transparent operating mode

Devices operate in this mode by default. The device acts as a serial line replacement when it is in Transparent operating mode. The device queues all UART data it receives through the DIN pin for RF transmission. When a device receives RF data, it sends the data out through the DOUT pin. You can set the configuration parameters using Command mode.

Note Transparent operating mode is not available when using the SPI interface; see [SPI communications](#).

Serial-to-RF packetization

The device buffers data in the serial receive buffer until one of the following causes the data to be packetized and transmitted:

- The device receives no serial characters for the amount of time determined by the **RO** (Packetization Timeout) parameter. If **RO** = 0, packetization begins when a character is received. If **RO** is non-zero, the data is packetized after **RO** character times of no transitions on the DIN pin. However, if the time required for **RO** characters is less than 100 microseconds, then DIN must still be idle for at least 100 microseconds, which is the minimal idle time required for packetizing packets at any baud rate.
- The device receives the Command Mode Sequence (**GT + CC + GT**). Any character buffered in the serial receive buffer before the sequence is transmitted.
- The device receives the maximum number of characters that fits in an RF packet (100 bytes).

API operating mode

Application programming interface (API) operating mode is an alternative to Transparent mode. It is helpful in managing larger networks and is more appropriate for performing tasks such as collecting data from multiple locations or controlling multiple devices remotely. API mode is a frame-based protocol that allows you to direct data on a packet basis. It can be particularly useful in large networks where you need control over the operation of the radio network or when you need to know which node a data packet is from. The device communicates UART or SPI data in packets, also known as API frames. This mode allows for structured communications with serial devices.

The application programming interface (API) provides alternative means of configuring devices and routing data at the host application layer. A host application can send data frames to the device that contain address and payload information instead of using Command mode to modify addresses. The device sends data frames to the application containing status packets, as well as source and payload information from received data packets.

For more information, see [API mode overview](#).

Comparing Transparent and API modes

The XBee Wi-Fi RF Module can use its serial connection in two ways: Transparent mode or API operating mode. You can use a mixture of devices running API mode and transparent mode in a network.

The following table compares the advantages of transparent and API modes of operation:

Feature	Description
Transparent mode features	
Simple interface	All received serial data is transmitted unless the device is in Command mode
Easy to support	It is easier for an application to support Transparent operation and Command mode
API mode features	
Easy to manage data transmissions to multiple destinations	Transmitting RF data to multiple remote devices only requires the application to change the address in the API frame. This process is much faster than in Transparent mode where the application must enter Command mode, change the address, exit Command mode, and then transmit data.
Each API transmission can return a transmit status frame indicating the success or reason for failure	Because acknowledgments are sent out of the serial interface, this provides more information about the health of the RF network and can be used to debug issues after the network has been deployed.
Received data frames indicate the sender's address	All received RF data API frames indicate the source address
Advanced addressing support	API transmit and receive frames can expose addressing fields including source and destination endpoints, cluster ID, and profile ID
Advanced networking diagnostics	API frames can provide indication of I/O samples from remote devices, and node identification messages. Some network diagnostic tools such as Trace Route, NACK, and Link Testing can only be performed in API mode.
Remote Configuration	Set/read configuration commands can be sent to remote devices to configure them as needed using the API

We recommend API mode when a device:

- Sends RF data to multiple destinations
- Sends remote configuration commands to manage devices in the network
- Receives RF data packets from multiple devices, and the application needs to know which device sent which packet

API mode is required when:

- Receiving I/O samples from remote devices
- Using SPI for the serial port
- Sends RF data to multiple destinations
- Sends remote configuration commands to manage devices in the network
- Receives IO samples from remote devices
- Receives RF data packets from multiple devices, and the application needs to know which device sent which packet
- Needs to use the send data request and device request features of Remote Manager

If the conditions listed above do not apply (for example, a sensor node, router, or a simple application), then Transparent operation might be suitable. It is acceptable to use a mixture of devices running API mode and Transparent mode in a network.

The following table provides a comparison of the two modes.

Transparent operating mode	API operating mode
<p>When to use:</p> <ul style="list-style-type: none"> ■ The conditions for using API mode do not apply. 	<p>When to use:</p> <ul style="list-style-type: none"> ■ The device sends wireless data to multiple destinations. ■ The device configures remote devices in the network. ■ The device receives wireless data packets from multiple XBee devices, and the application needs to identify which devices send each packet. ■ The device receives I/O samples from remote XBee devices.
<p>Advantages:</p> <ul style="list-style-type: none"> ■ Provides a simple interface. ■ It is easy for an application to support; what you send is exactly what other devices get, and vice versa. ■ Works very well for two-way communication between XBee devices. 	<p>Advantages:</p> <ul style="list-style-type: none"> ■ You can set or read the configuration of remote XBee devices in the network. ■ You can transmit data to one or multiple destinations; this is much faster than Transparent mode where the configuration must be updated to establish a new destination. ■ Received data includes the sender's address. ■ Received data includes transmission details and reasons for success or failure. ■ This mode has several advanced features, such as advanced networking diagnostics, and firmware updates.

Transparent operating mode	API operating mode
<p>Disadvantages:</p> <ul style="list-style-type: none"> ■ You cannot set or read the configuration of remote XBee devices in the network. ■ You must first update the configuration to establish a new destination and transmit data. ■ You cannot identify the source of received data, as it does not include the sender's address. ■ Received data does not include transmission details or the reasons for success or failure. ■ This mode does not offer the advanced features of API mode, including advanced networking diagnostics, and firmware updates. 	<p>Disadvantages:</p> <ul style="list-style-type: none"> ■ The interface is more complex; data is structured in packets with a specific format. ■ This mode is more difficult to support; transmissions are structured in packets that need to be parsed (to get data) or created (to transmit data). ■ Sent data and received data are not identical; received packets include some control data and XTend vB information.

Command mode

Command mode is a state in which the firmware interprets incoming characters as commands. It allows you to modify the device's configuration using parameters you can set using AT commands. When you want to read or set any parameter of the XBee Wi-Fi RF Module using this mode, you have to send an AT command. Every AT command starts with the letters **AT** followed by the two characters that identify the command and then by some optional configuration values.

The operating modes of the XBee Wi-Fi RF Module are controlled by the [API Enable](#) setting, but Command mode is always available as a mode the device can enter while configured for any of the operating modes.

Command mode is available on the UART interface for all operating modes. You cannot use the SPI interface to enter Command mode.

Enter Command mode

To get a device to switch into Command mode, you must issue the following sequence: **+++** within one second. There must be at least one second preceding and following the **+++** sequence. Both the command character (**CC**) and the silence before and after the sequence (**GT**) are configurable. When the entrance criteria are met the device responds with **OK\r** on UART signifying that it has entered Command mode successfully and is ready to start processing AT commands.

If configured to operate in [Transparent operating mode](#), when entering Command mode the XBee Wi-Fi RF Module knows to stop sending data and start accepting commands locally.

Note Do not press **Return** or **Enter** after typing **+++** because it interrupts the guard time silence and prevents you from entering Command mode.

When the device is in Command mode, it listens for user input and is able to receive AT commands on the UART. If **CT** time (default is 10 seconds) passes without any user input, the device drops out of

Command mode and returns to the previous operating mode. You can force the device to leave Command mode by sending [CN command](#).

You can customize the command character, the guard times and the timeout in the device's configuration settings. For more information, see [CC \(Command Mode Character\)](#), [CT command](#) and [GT command](#).

Troubleshooting

Failure to enter Command mode is often due to baud rate mismatch. Ensure that the baud rate of the connection matches the baud rate of the device. By default, [BD \(Baud Rate\)](#) = **3** (9600 b/s).

There are two alternative ways to enter Command mode:

- A serial break for six seconds enters Command mode. You can issue the "break" command from a serial console, it is often a button or menu item.
- Asserting DIN (serial break) upon power up or reset enters Command mode. XCTU guides you through a reset and automatically issues the break when needed.

Both of these methods temporarily set the device's baud rate to 9600 and return an **OK** on the UART to indicate that Command mode is active. When Command mode exits, the device returns to normal operation at the baud rate that **BD** is set to.

Send AT commands

Once the device enters Command mode, use the syntax in the following figure to send AT commands. Every AT command starts with the letters **AT**, which stands for "attention." The AT is followed by two characters that indicate which command is being issued, then by some optional configuration values.

To read a parameter value stored in the device's register, omit the parameter field.

“AT” prefix + ASCII command + Space (optional) + Parameter (optional, HEX) + Carriage return



Example: `AT NI 2 <CR>`

Multiple AT commands

You can send multiple AT commands at a time when they are separated by a comma in Command mode; for example, `ATNI My XBee,AC<cr>`.

The preceding example changes the **NI (Node Identifier)** to **My XBee** and makes the setting active through [AC \(Apply Changes\)](#).

Parameter format

Refer to the list of [AT commands](#) for the format of individual AT command parameters. Valid formats for hexadecimal values include with or without a leading **0x** for example **FFFF** or **0xFFFF**.

Response to AT commands

When using AT commands to set parameters the XBee Wi-Fi RF Module responds with **OK<cr>** if successful and **ERROR<cr>** if not.

Apply command changes

Any changes you make to the configuration command registers using AT commands do not take effect until you apply the changes. For example, if you send the **BD** command to change the baud rate, the actual baud rate does not change until you apply the changes. To apply changes:

1. Send **AC (Apply Changes)**.
2. Send **WR command**.
or:
3. **Exit Command mode**.

Make command changes permanent

Send a **WR command** command to save the changes. **WR** writes parameter values to non-volatile memory so that parameter modifications persist through subsequent resets.

Send as **RE command** to wipe settings saved using **WR** back to their factory defaults.

Note You still have to use **WR** to save the changes enacted with **RE**.

Exit Command mode

1. Send **CN command** followed by a carriage return.
or:
2. If the device does not receive any valid AT commands within the time specified by **CT command**, it returns to Transparent or API mode. The default Command mode timeout is 10 seconds.

For an example of programming the device using AT Commands and descriptions of each configurable parameter, see [AT commands](#).

Modes of operation

Idle mode

When not receiving or transmitting data, the device is in Idle mode. During Idle mode, the device listens for valid data on both the RF and serial ports.

The device shifts into the other modes of operation under the following conditions:

- Transmit mode (serial data in the serial receive buffer is ready to be packetized).
- Receive mode (valid RF data received through the antenna).
- Sleep mode (Sleep mode condition is met).
- Command mode (Command mode sequence issued).

Transmit mode

When the device receives serial data and is ready to packetize it, the device attempts to transmit the serial data. The destination address determines which node(s) will receive and send the data.

Receive mode

This is the default mode for the XBee Wi-Fi RF Module. The device is in Receive mode when it is not transmitting data. If a destination node receives a valid RF packet, the destination node transfers the data to its serial transmit buffer.

Configuration mode

You may not always know the parameters that the XBee Wi-Fi RF Module is configured with. If those parameters affect how the XBee Wi-Fi RF Module enters Command mode, and if the parameters were previously written to non-volatile memory, then Command mode is not available to either read the parameters or to set them to known values. This makes configuring the device difficult unless you can successfully guess the configuration to allow it to enter Command mode.

An example of this problem is when the UART baud rate is unknown. In this case, the **+++** sequence to enter Command mode is not recognized due to a baud rate mismatch, preventing the device from entering Command mode.

Force the device to enter Configuration mode

To overcome the issue of unknown configuration parameters, you can force the XBee Wi-Fi RF Module into Command mode with a known configuration as follows:

While holding DIN low (asserting the break key), reset the device.

Rather than coming up in Transparent mode, which is normal, it comes up in Command mode and issues the **OK** prompt with the following default parameters applied for operation while in Command mode:

Parameter setting	Meaning
P3 = 1, P4 = 1	UART enabled—only set for SPI-enabled devices
BD = 3	9600 baud rate
SB = 0	One stop bit
NB = 0	No parity
RO = 3	Three character times with no change on DIN before transmission
D6 = 0	No $\overline{\text{RTS}}$ flow control
D7 = 1	$\overline{\text{CTS}}$ flow control
FT	65 characters left in transmission buffer before $\overline{\text{CTS}}$ is turned off
CC = 0x2b	+ is used for Command mode character
GT = 0x3e8	One second guard time
CT = 0x64	Ten second Command mode timeout

If the XBee Wi-Fi RF Module exits Configuration mode without changing any parameter values, then all parameters revert to their previous unknown state after it exits Command mode. Also, any values that you query return the previously written settings rather than the temporarily applied default settings described above.

Recover from an unknown configuration

To recover from an unknown configuration to a known configuration, do the following:

1. Set up the interface to the XBee Wi-Fi RF Module to match the default configuration described in [Force the device to enter Configuration mode](#).
2. Press and hold DIN low while resetting the XBee Wi-Fi RF Module.
3. Release DIN (let it be pulled high) so the device can receive UART data.
4. At the **OK** prompt, enter the desired configuration settings. If desired, configuration settings which were unknown may be read before setting them in this state.
5. Use the **WR** command to write the desired configuration to non-volatile memory.
6. Set up the interface to the XBee Wi-Fi RF Module to match the configuration just written to non-volatile memory.
7. Optionally, reset the device and begin operation in the new mode.

Use XCTU to enter Configuration mode

XCTU is designed to support a forced configuration on a UART interface using the following instructions. XCTU does not work directly over a SPI interface.

1. Connect an asynchronous serial port of the PC (either RS-232 or USB) to the development board that the XBee Wi-Fi RF Module is plugged into.
2. Open XCTU.
3. To add your device to XCTU, see [Add radio modules to XCTU](#) in the XCTU User Guide.
4. The device(s) appear under the **Radio Modules** section on the left of the display.
5. To configure the settings, see [Configure your modules](#) in the XCTU User Guide.
6. When you are done entering the parameters, click the **Write module settings** button.

When the write is complete, all of the settings on the device are updated.

Click the **Consoles working mode** button on the toolbar and begin normal Transparent operation.

Sleep mode

Sleep modes allow the device to enter states of low power consumption when not in use. The XBee Wi-Fi RF Module supports both pin sleep (Sleep mode entered on pin transition) and cyclic sleep (device sleeps for a fixed time).

Sleep modes

Sleep modes allow the device to enter states of low power consumption when not in use. The XBee Wi-Fi RF Module supports both pin sleep (sleep mode entered on pin transition) and cyclic sleep (device sleeps for a fixed time). For both pin sleep and cyclic sleep the sleep level may be either deep sleep or associated sleep. See [Sleep modes](#) for more information.

Soft AP mode

The XBee Wi-Fi RF Module can operate in Soft AP mode, also known as Wi-Fi Direct. In this mode the XBee Wi-Fi RF Module emulates an access point (AP) rather than a station (STA). This allows another Wi-Fi client device (STA) to connect to the XBee device directly without requiring a separate AP. WPA2

security is available in Soft AP mode, but not WPA or WEP security. By default, Soft AP operates with no security.

Enable Soft AP mode

The device operates in Soft AP mode in two different ways:

1. Provisioning mode
2. Pass through mode

You enable these two modes differently. To enable Pass through mode:

Set **CE (Infrastructure Mode)** to 1, which is not the default configuration. When **CE** is 1, it overrides parameters for Provisioning mode.

Provisioning mode is enabled by default. To disable it:

Clear bit 1 of **DO command**.

To enable Provisioning mode, SSID must be NULL. SSID is NULL by default and you can force it to NULL by issuing **NR (Network Reset)**.

Station (STA) connection in Soft AP Provisioning mode

When the device operates in Soft AP Provisioning mode, it waits for a connection from a STA device. Because the Service Set Identifier (SSID) is not configured, **AI (Association Indication)** is 0x23. The STA device must:

- Support Wi-Fi
- Have an HTTP browser operating on TCP port 80

Examples of devices that might connect to the XBee Wi-Fi RF Module operating in Soft AP mode are smart phones, tablets, and laptop computers.

The connecting STA device should scan for an **AP**. The XBee Wi-Fi RF Module advertises an SSID of:

xbee<MAC>

where <MAC> is the 6 byte MAC address of the XBee Wi-Fi RF Module formatted as follows:

xbee-XXXXXXXXXX

where each X represents a hex digit.

The STA needs to connect to that SSID, and then open a browser by entering 192.168.1.10 into the address bar. This opens the webpage from the XBee Wi-Fi RF Module to allow you to configure it as desired. The primary purpose of this webpage is to configure the XBee Wi-Fi RF Module to connect to the desired access point with the desired security settings. The secondary purpose is to configure any other parameters.

Use the webpage to configure a connected device

The webpage displays the current value of each configuration field.

1. Enter the desired parameters.
2. Click the **Apply** button at the bottom of the page.

The selected parameters are written to the non-volatile memory on the XBee Wi-Fi RF Module. However, the network access parameters are only written if you enter a valid set of parameters. The device tests the validity of those parameters by attempting to connect to the given access point.

- The Soft AP webpage provides the same configuration options that are available in XCTU.
- The webpage is divided into sections that expand or collapse by clicking **Show** or **Hide**. The only section expanded by default is the **Network Access** section.
- All fields preceded with 0x must be hex values.

Note Do not programmatically configure the device in Soft AP mode because it is subject to change.

Station (STA) connection in Soft AP Pass Through mode

When the XBee Wi-Fi RF Module operates in Soft AP Pass Through mode, it does not use HTTP on port 80 and it operates the same as it would in STA mode with a few exceptions:

- Only one device may connect and the connecting device must be operating in STA mode.
- A TCP listening socket on the port specified by **C0 (Serial Communication Service Port)** is open to accept connections, but no UDP listening socket is available.
- **ID (SSID)** specifies the SSID sent by the XBee Wi-Fi RF Module in the beacon, but if **ID** is NULL, it advertises an SSID based on the device's MAC address. For details, see [Enable Soft AP mode](#).
- **AI (Association Indication)** is **0x23** while in Soft AP Provisioning mode (because **ID** is NULL), but **AI** is **0** in Soft AP Pass Through mode as soon as the XBee Wi-Fi RF Module is ready to accept a connection from a STA device. This is true whether or not **ID** is null.

Sleep modes

About sleep modes	53
Use the UART Sleep mode	53
Use SPI Sleep mode	53
AP Associated Sleep mode	54
Deep Sleep (Non-Associated Sleep) mode	54
Use sleep modes to sample data	55

About sleep modes

The XBee Wi-Fi RF Module supports two different sleep modes:

- Pin Sleep
- Cyclic Sleep

In addition, you can modify the sleep mode current draw with the following sleep options:

- AP Associated Sleep
- Deep Sleep

Pin sleep allows an external microcontroller to determine when the XBee Wi-Fi RF Module should sleep and when it should wake by using either the SLEEP_RQ pin (default) or the SPI_SSEL pin. In contrast, cyclic sleep allows the sleep period and wake times to be configured using AT commands. The device can stay associated to the access point or can enter a deeper sleep and associate to the access point for each sleep/wake occurrence. The sleep mode is configurable with the **SM** and **SO** commands.

Each of the sleep modes operate differently based on the serial interface (UART or SPI).

Use the UART Sleep mode

When the serial interface is UART, the ON_SLEEP pin is used to indicate that the device is entering sleep mode, unless it is configured for a different usage. If you configure [Sets or displays the DIO9 configuration \(TH pin 13/SMT pin 26\)](#) for ON_SLEEP, then it is driven low when asleep and high when awake, whether using pin sleep or cyclic sleep.

If you enable CTS hardware flow control with [D7 \(DIO7 Configuration\)](#), the CTS pin is de-asserted (high) when entering sleep to indicate that serial data should not be sent to the device. The device will not respond to serial or RF data when it is sleeping. Applications that use the UART are encouraged to observe CTS flow control in any of the sleep modes. When the XBee Wi-Fi RF Module wakes from sleep with flow control enabled, the CTS pin is asserted (low).

If using pin sleep, you must configure [D8 \(DIO8 Configuration\)](#) for SLEEP_RQ to put the device to sleep. Otherwise, there is no sleep at all, meaning the device always stays awake in full power mode. When you configure **D8** for SLEEP_RQ, the host should drive SLEEP_RQ high to put the device to sleep, and the host should drive SLEEP_RQ low to wake up the device.

Use SPI Sleep mode

When the serial interface is SPI, SPI_ATTN is used as an attention indicator to tell the SPI master when it has data to send. Since SPI only operates in API mode, it asserts SPI_ATTN and sends out a modem status indicator after initialization. The host can use this to know when the device is ready to operate as a SPI slave. Since the function of SPI_ATTN is to indicate when the device has data to send to the host, it may legitimately be driven high or low while the device is awake.

When using SPI, you can use either SLEEP_RQ or SPI_SSEL for pin sleep. If [D8 \(DIO8 Configuration\)](#) is configured as a peripheral (**1**), then it is used for pin sleep. If not, and SPI_SSEL is configured as a peripheral (which it must be to enable SPI operation), then SPI_SSEL is used for pin sleep.

Using SPI_SSEL for pin sleep has the advantage of requiring one less physical pin connection to implement pin sleep on SPI. It has the disadvantage of putting the device to sleep whenever the SPI master negates SPI_SSEL, even if that was not the intent. Therefore, if you can control SPI_SSEL, whether or not data needs to be transmitted, then sharing the pin may be a good option. It makes the SLEEP_RQ pin available for another purpose, or it simply requires one less pin to the SPI interface.

AP Associated Sleep mode

This option allows the device to sync up with beacons sent from the Access Point (AP) which contains the Delivery Traffic Indication Message (DTIM). The DTIM indicates when broadcast and multicast data is sent on the network. This property is configured on the AP and is typically configured as the number of beacons between each beacon with DTIM.

The current draw in Associated Sleep mode varies significantly. When the device is awake it draws approximately 100 mA. When it is asleep, it draws approximately 2 mA. Total current draw increases when the DTIM rate is higher and it decreases when the DTIM rate is lower on the access point.

The sleep modes described in this user guide have this option enabled.

Pin Sleep mode

UART data can be received in pin sleep mode, whether or not the host asserts the SLEEP_RQ pin. For example, if RF data is received by the device while SLEEP_RQ is asserted, the device wakes up long enough to send the data out the UART and then immediately resumes sleeping. If wake host is configured, the device asserts the appropriate I/O lines (indicating that it is awake), then waits for wake host timer to expire, then outputs the data, and then immediately resumes sleeping.

In this mode, when SLEEP_RQ is asserted the device powers down the Wi-Fi circuitry. When SLEEP_RQ is de-asserted, the Wi-Fi circuitry is powered up. This causes the device to associate to the access point for each wake event. If the device was associated when it went to sleep, it should be ready to transmit data as soon as the ON_SLEEP pin indicates that the device is awake. If the device was not associated when it went to sleep, the host must wait until the device is associated before a transmission can occur. In API mode, a modem status frame is received when the device becomes associated. Outside of API mode, the **AI** command must be used to determine when the device is associated.

SPI operation is similar except that the device asserts $\overline{\text{ATTN}}$ when data becomes available and then the local host is expected to assert SPI_SSEL and to provide a clock until the data available is sent out. When the local UART host needs to send data it de-asserts SLEEP_RQ. Once the appropriate status I/O lines are asserted (CTS and/or ON_SLEEP) the device is ready to accept data. However data will be queued and not sent until the next DTIM.

When the local SPI host needs to send data it asserts SPI_SSEL. If SPI_SSEL is being used for pin sleep, asserting SPI_SSEL is enough to awaken the device to receive the incoming data. But, if SLEEP_RQ is being used to control sleep, then SPI_SSEL must be asserted and SLEEP_RQ must be de-asserted to awaken the device to receive the data. This wakes up the device, which then accepts the incoming data; however, data is queued and not sent until the next DTIM.

Cyclic Sleep mode

The device remains associated to the Access Point (AP) and sleeps based on the **SP (Sleep Period)** parameter. After **SP** expires, the device wakes for 30 milliseconds to check for data from the AP and to allow the host to send data or commands. This time is factored in as part of the overall **ST** time. When data is received or sent within 30 ms, the device remains awake for **ST** time and any further activity does not restart this time. When no data is received or sent within 30 ms, the device resumes sleep immediately, without waiting for **ST** time-out.

Deep Sleep (Non-Associated Sleep) mode

This option allows the Wi-Fi circuitry to be powered down resulting in the lowest sleep current (about 6 μA) but at the expense of losing packets received during the time the device is asleep. This is

because the Access Point behaves like the device is in full power mode while it is asleep and it will not hold back packets until the device wakes up.

Pin Sleep mode

In this mode when SLEEP_RQ is asserted the device powers down the Wi-Fi circuitry. When SLEEP_RQ is de-asserted the Wi-Fi circuitry is powered up. This causes the device to associate to the access point for each wake event. If the device was associated when it went to sleep, it should be ready to transmit data as soon as the ON_SLEEP pin indicates that the device is awake. If the device was not associated when it went to sleep, the host must wait until the device is associated before a transmission can occur. In API mode, a modem status frame is received when the device becomes associated. Outside of API mode, AI (Association Indication) must be used to determine when the device is associated.

Cyclic Sleep mode

In this mode the device enters and exits sleep based on the SP (Sleep Period), ST (Wake Time), and SA command commands. SP specifies the sleep time and ST specifies the wake time of the device after it is associated. SA specifies the maximum time to wait for association before starting the ST timer. If SA expires before the association process completes, then the device sleeps anyway. When it wakes from this state, then it starts the SA timer again to seek to establish association.

Under normal conditions, SA is used for a time out for the first association following reset and ST is used for short wake cycles thereafter. To conserve battery power, SA should be long enough for association and ST should be as short as possible for the application.

Use sleep modes to sample data

To sample data when waking from any sleep mode:

1. Enable an ADC or digital input.
2. Set IR (I/O Sample Rate) appropriately with respect to ST (Wake Time) to obtain the desired number of samples.

If you want multiple samples during the wake period then user IR. This provides ST/IR+1 samples. Each sample is sent separately.

WH (Wake Host) delays UART and sample data from being initiated until the timer has expired. This allows the host to wake up before receiving data or a sensor to power up before an I/O sample is taken.

Digital outputs and special function outputs such as ON_SLEEP and CTS are not affected by WH. This is to allow these signals to be used to wake up devices.

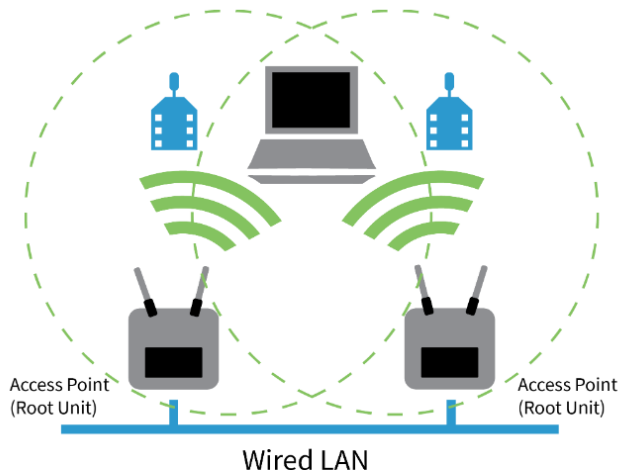
For deep sleep, WH must be expired and the device must be associated before I/O samples are taken.

802.11 bgn networks

Infrastructure networks	57
Ad Hoc networks	57
Network basics	58
802.11 standards	58
Encryption	59
Authentication	59
Open authentication	59
Shared Key	59
Channels	59

Infrastructure networks

The main type of wireless network involve a number of wireless devices called stations talking through a master wireless device known as an access point (AP) or station (STA). This type of setup is called an Infrastructure or Basic Service Set (BSS) network. Most wireless networks are of this type. The following illustration is an example of an infrastructure wireless network.



Infrastructure Wireless Network

By default, the XBee Wi-Fi RF Module operates as a STA in the infrastructure network, which means it associates to an AP and all data to and from the device goes through that AP.

If you configure [CE \(Infrastructure Mode\)](#) to 1, the device takes the position of an AP in the network, allowing STA devices to associate to the XBee Wi-Fi RF Module operating in Soft AP mode.

Ad Hoc networks

Wireless devices can join a wireless network without an access point. This is called an Ad Hoc or Independent Basic Service Set (IBSS) network.

Note Ad Hoc networks are point to point: there can only be two nodes in the network, a creator and a joiner. Set up the creator first, and then the joiner.

Set Ad Hoc creator parameters

Set the following parameters for the creator:

Parameter	Function
AH1	Designates the node as an Ad Hoc creator.
MA1	Specifies the static IP addresses. No DHCP is supported in Ad Hoc mode.

Parameter	Function
EE0	Specifies no security. Security is not available in Ad Hoc mode.
CH	May be any channel from 1 to 0xB.
ID	Sets the SSID, which is any string of choice, as long as it is not the same as another SSID in the vicinity.
MY	Sets the IP address of the creator node.
DL	Specifies the IP address of the joiner node.
MK	Sets the IP mask for both of the above addresses.

Set Ad Hoc joiner parameters

Set the following parameters for the joiner:

Parameter	Function
AH0	Designates the node as an Ad Hoc joiner.
MA1	Specifies the static IP addresses. No DHCP is supported in Ad Hoc mode.
EE0	Specifies no security. Security is not available in Ad Hoc mode.
ID	Sets the SSID, which must match the ID of the creator. Problems arise if it matches the SSID of an access point in the vicinity.
MY	Sets the IP address of the joiner node.
DL	Specifies the IP address of the creator node.
MK	Sets the IP mask for both of the above addresses.

Network basics

Clients need to join the wireless network before they can send data across it. This is called association. In order for a device to associate it must know the following items about the desired wireless network:

- SSID: the name of the wireless network.
- Encryption: if and how the network encrypts or scrambles its data.
- Authentication: how and if the network requires its members to prove their identity.
- Channel: what channel (frequency range) the wireless network uses.

Once a device is associated it can send and receive data from other associated devices on the same network. When the client is done or needs to leave, it then can dis-associate and be removed from the wireless network.

802.11 standards

The XBee Wi-Fi RF Module operates in three of the available 802.11 standards, they are:

802.11 b

The 802.11b standard was approved in July 1999 and can be considered the second generation. 802.11b operates in the 2.4 GHz frequency ISM band. The data rate is from 1 to 11 Mb/s.

802.11 g

The 802.11g standard was approved in 2003. It provides a maximum data rate of 54 Mb/s. In addition, the standard is also fully backwards-compatible with existing 802.11b wireless networks.

802.11 n

The 802.11n standard was approved in 2009. It provides for data rates up to 300 Mb/s. The XBee Wi-Fi module uses the single stream n mode with 20 MHz bandwidth and is capable of up to 72.2 Mb/s over the air in n mode.

Encryption

Encryption is a method of scrambling a message that makes it unreadable to unwanted parties, adding a degree of secure communications. There are different protocols for providing encryption, and the XBee Wi-Fi RF Module supports WPA, WPA2, and WEP.

Authentication

Authentication deals with proving the identity of the wireless device attempting to associate with the network. There are different methods of doing this. The XBee Wi-Fi RF Module supports Open and Shared Key authentication in WEP mode and it only supports shared key authentication in WPA and WPA2 modes.

Open authentication

Open authentication is when the access point simply accepts the wireless devices identity without verifying or proving it. The benefits to this are simplicity and compatibility (all devices can do it). In this mode, which is only available when using WEP, a connection to the access point occurs even if the WEP key is wrong. However, no real communication can occur because of mismatched keys. If DHCP is configured, it fails too, causing the **AI** indicator to get stuck in the **AI 41** state.

If, on the other hand, the **AP** is configured for shared key authentication, no connection occurs with an incorrect WEP key. Instead, **AI** gets stuck in the FF state, indicating scanning. Although shared key authentication sounds better, it exposes a big security flaw with WEP. The challenge text, its encrypted result, and a success/failure result are passed in the clear and can easily be caught over the air to determine the WEP key.

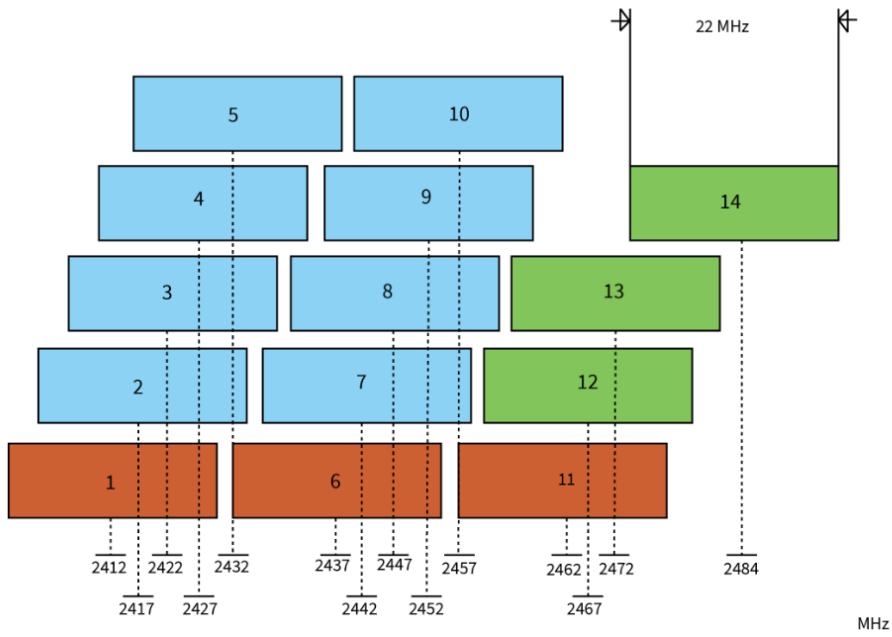
Shared Key

Shared Key is when the wireless devices must present the proper key to get on the network. Although Shared Key has more security than Open authentication it should not be considered secure. One of the benefits of Shared Key authentication is simplicity.

Channels

The XBee Wi-Fi RF Module operates in the 2412 - 2472 MHz range. The frequency range is broken down into thirteen channels. Data is transmitted on a channel by radio frequencies over a certain frequency range. In order to avoid bad performance caused by the overlapping (collision) of channel frequencies in a wireless LAN environment, it is very important that you select the channels of neighboring access points accordingly.

The center frequencies of the thirteen possible channels range from 2412 to 2472 MHz, with each channel being 22 MHz wide and centered in 5 MHz intervals. This means that only 3 channels (1, 6, and 11) in North America are not subject to overlapping.



IP services

The XBee Wi-Fi RF Module provides services using Internet Protocol (IP) for XBee and other clients on the network. IP services provide functionality to allow XBee device configuration and direct serial port access. There are two XBee services:

XBee Application Service	62
Serial Communication Service	68

XBee Application Service

This service primarily provides for XBee device configuration. It also provides API compatibility for customers who have designed around other XBee devices. It uses UDP to transfer packets to and from port number 0xBEE. Packets are optionally acknowledged by the service but retries are not available. An extra header is added to the packet data to define commands for configuration and serial data transfer.

Access the service from a local host or network client. Use [C0 \(Serial Communication Service Port\)](#) and [DE \(Destination port\)](#) to configure the source and destination ports for the serial communication service. The XBee application service uses hard coded port 0xBEE for both source and destination and there is no option to configure another port.

Note Do not configure **C0** and/or **DE** to 0xBEE to use the XBee Application Service. Doing so causes an error (**AI = 42**), and the transceiver will neither send nor receive data.

Local host access

From a local host, access XBee Application Service using API frames. There are remote AT command frames as well as transmission frames. The API frames are:

- [TX \(Transmit\) Request: 64-bit - 0x00](#)
- [Rx \(Receive\) Packet: 64-bit - 0x80](#) (This frame is generated by the XBee Wi-Fi RF Module)
- [Remote AT Command Request - 0x07](#)
- General Purpose Memory command ([Access General Purpose Flash Memory](#))

TX64 and RX64 API frames

The transmit and receive 64-bit API frames provide a standardized set of API frames to use for a point to multipoint network—a closed network of XBee Wi-Fi RF Modules. The format of these frames is standardized to work with other XBee products, such as the API frames of the 802.15.4 device.

Note The XBee Wi-Fi RF Module cannot communicate with an XBee 802.15.4 module.

Transmit and receive data

Transmit data

The local host uses the TX64 frame to send data to another XBee device using this service. When the device receives the frame through the serial port it converts the contents of the frame to a serial data transfer command as defined by the XBee Application Service.

Receive data

A received serial data transfer command goes to the serial port. The serial port's mode determines the data format. When in API mode, the data is sent to the host using the RX 64-bit frame.

Note We do not recommended using this service to send data to a network client. Use the serial communication service.

Change configuration on a remote device

Use the Remote AT command frame to change configuration on a remote device. See [Remote AT Command Request - 0x07](#) for more information.

Update the firmware

To perform firmware updates from the local host, send Zigbee explicit API frames (type 0x11) to the IP address of the desired node with cluster ID 0x23. For details about the sequence of operations to follow for firmware updates, see [Update the firmware over-the-air](#).

Explicit Transmit Packet - 0x11 has this name because it has fields that are uniquely Zigbee, such as endpoint and cluster ID. To perform firmware updates the same on all XBee devices, we chose this frame type, even though all XBee devices (including the XBee Wi-Fi RF Module) do not support the Zigbee standard.

The XBee Wi-Fi RF Module also supports other Zigbee frame types. These are frame types 0x10, 0x17, 0x8B, 0x90, 0x91, and 0x97. These frame types do not allow XBee Wi-Fi RF Modules to execute the Zigbee protocol and they do not allow OTA compatibility between the two protocols. If you want to implement these API frame types on your host program, you can continue to use them, even with the XBee Wi-Fi RF Module. If you are developing a new host program for the XBee Wi-Fi RF Module, you should not use these frame types because the WiFi frame types (0x20, and 0xB0) make more sense and have less API overhead.

Frame 0x11 is required across all protocols for firmware updates.

Network client access

To access this port, send a packet from the client using the UDP protocol on port 0xBEE. Data sent to this port must have an additional header preceding the data. See the following table for the header's description.

Field name	Offset	Field length	Description
Number1	0	2	Can be any random number
Number2	2	2	Number1 ^ 0x4242 (Exclusive OR of Number1 and constant 0x4242)
PacketID	4	1	Reserved for later use (0 for now)
EncPad	5	1	Reserved for later use (0 for now)
Command ID	6	1	0x00 = Data 0x02 = Remote Command 0x03 = General Purpose Memory Command 0x04 = I/O Sample 0x80 = Data Acknowledgment 0x82 = Response to remote command 0x83 = Response to General Purpose Memory Command
Command options	7	1	bit 0 - encrypted if set (Reserved for later use) bit 1 - set to request an ACK bits 2:7 - unused (Set to 0 for forward compatibility.)

All of the commands and command responses that follow are preceded with this application header.

Send configuration commands

A network client can send AT commands to the XBee Wi-Fi RF Module. The following packet structure demonstrates how to query the SSID from a network client:

Packet fields		Offset	Example	Description
Application header	Number1	0	0x4242	
	Number2	2	0x0000	Number1 ^ Number2 = 0x4242.
	Packet ID	4	0x00	Reserved for later use (0 for now).
	Encryption pad	5	0x00	
	Command ID	6	0x02	Indicates remote AT command.
	Command options	7	0x00	Options are not available for this command.
Command-specific data	Frame ID	8	0x01	
	Configuration options	9	0x02	0 - Queue command parameter. Must send AC command or use apply changes option to apply changes. 2 - Apply changes to all changed commands.
	AT command	10	0x49 (I)	Command Name - Two ASCII characters that identify the AT command.
		11	0x44(D)	
	Parameter value	12		If present, indicates the requested parameter value to set the given command. If no characters present, command is queried.

The response is sent back to the host with the following bytes.

Packet fields		Offset	Example	Description
Application header	Number1	0	0x4242	
	Number2	2	0x0000	Number1 ^ Number2 = 0x4242.
	Packet ID	4	0x00	Reserved for later use (0 for now).
	Encryption pad	5	0x00	
	Command ID	6	0x82	Indicates remote AT command response.
	Command options	7	0x00	Options not available for this response.
Command-specific data	Frame ID	8	0x01	Copied from the command.
	AT Command	9	0x49 (I)	Command Name - Two ASCII characters that identify the AT command.
		10	0x44 (D)	
	Status	11	0x00	0 = OK 1 = ERROR 2 = Invalid Command 3 = Invalid Parameter
	Parameter Value	12	0x41 (A)	Data in binary or ASCII format, based on the command. For the ID command, the data is in ASCII format. If the command was set, then this field is not returned.
		13	0x63 (c)	
		14	0x63 (c)	
		15	0x65 (e)	
		16	0x73 (s)	
		17	0x73 (s)	
		18	0x50 (p)	
		19	0x6F (o)	
		20	0x69 (i)	
		21	0x6E (n)	
		22	0x74 (t)	

Send the serial data command

Using the IP service to send data out the serial port is not required. Most users choose to use the Serial Communication Service to send data from a network client. One reason to use the XBee Application Service to send the serial data command from a network client is to receive an acknowledgment when sending a UDP packet.

The client can request an acknowledgment from the device but must wait to receive the acknowledgment before sending the next packet. The client is responsible for retransmissions due to missed acknowledgments. When resending packets, duplicates can be received at the destination due to a successful serial data command and a failed acknowledgment packet. The host in this case must be able to handle duplicate packets. The following packet structures are examples of sending data and receiving an acknowledgment using the XBee Application Service:

Serial data command

Packet fields		Offset	Example	Description
Application header	Number1	0	0x4242	
	Number2	2	0x0000	Number1 ^ Number2 = 0x4242.
	Packet ID	4	0x00	Reserved for later use (0 for now).
	Encryption pad	5	0x00	
	Command ID	6	0x00	Indicates transmission data.
	Command options	7	0x02	Request acknowledgment.
Command-specific data	Serial data	8	0x48 (H)	Can be up to 1492 bytes. Data will be sent out the device's serial port.
		9	0x65 (e)	
		10	0x6C (l)	
		11	0x6C (l)	
		12	0x6F (o)	

Serial data command acknowledgment - if requested

Packet fields		Offset	Example	Description
Application header	Number1	0	0x4242	
	Number2	2	0x0000	Number1 ^ Number2 = 0x4242.
	Packet ID	4	0x00	Reserved for later use (0 for now).
	Encryption Pad	5	0x00	
	Command ID	6	0x80	Indicates data acknowledgment.
	Command Options	7	0x0	Options not available for this response.
Command specific data	Serial Data	8		No command specific data.

Receive I/O sample data

Sample data generated by the device is sent to the address configured by the **DL** commands. This data can be sent to another XBee device or to a network client. It is sent using UDP from the 0xBEE port as with other XBee Application services. Sample data is received by the client as follows:

Frame fields		Offset	Example	Description
Application header	Number1	0	0x4242	
	Number2	2	0x0000	Number1 ^ Number2 = 0x4242.
	Packet ID	4	0x00	Reserved for later use (0 for now).
	Encryption pad	5	0x00	
	Command ID	6	0x04	Indicates I/O sample data.
	Command options	7	0x00	Options not available for this response.
Command-specific data	Number of Samples	8	0x01	Indicates one sample set.
	Digital Mask	MSB 9	0x01	Bit Mask. Each bit represents an enabled DIO line starting with DIO0 at bit 0.
		LSB 10	0x01	
	Analog Mask	11	0x02	Bit Mask. Each bit represents an enabled ADC starting with ADC0 at bit 0. This selects ADC1 for analog sampling.
	Digital Sample	MSB 12	0x00	This field is only present if at least one DIO line is enabled in the digital mask specified above. Each bit represents a DIO line. Start with bit 0 for DIO0.
		LSB 13	0x01	
	Analog Sample	MSB 14	0x02	0x200 indicates that reading is half of VREF. For a default VREF of 2.5 V, 0x200 represents 1.25 volts on ADC1 in this example.
		LSB 15	0x00	

Send over-the-air firmware updates

A network client can also use the XBee IP services to send a firmware update to the device. This is done by sending a frame formatted with an application header, followed by a GPM header, followed by GPM data. The format of the application header is provided in [Network client access](#). See [General Purpose Flash Memory](#) for details about GPM headers format options. Make sure each GPM header is preceded by an application header. The following table shows an example of the final step of a firmware update process.

Packet fields	Offset	Example	Description	
Application header	Number1	0	0x4242	This is an easy number to create an accepted frame.
	Number2	2	0x0000	Number1 ^ Number2 = 0x4242 (This is an easy way to send a frame that software will not reject).
	Packet ID	4	0x00	Reserved for later use (0 for now).
	EncPad	5	0x00	
	Command ID	6	0x03	General Purpose Memory Command.
	Command Options	7	0x00	Do not request an acknowledgment.
Command-specific data	GPM_CMD_ID	8	0x06	Firmware verify and install command.
	GPM_OPTIONS	9	0x00	Reserved for later use (0 for now).
	GPM_BLOCK_NUM	10	0x00	
	GPM_START_INDEX	12	0x00	
	GPM_NUM_BYTES	14	0x0000	
	GPM_DATA	16		This field is unused for this command.

Serial Communication Service

The Serial Communication Service connects an IP port to the serial peripheral (UART or SPI) of the XBee Wi-Fi RF Module. No additional formatting or header is required and data is transferred between the RF hardware and Serial Communication hardware as received.

Use [C0 \(Serial Communication Service Port\)](#) and [DE \(Destination port\)](#) to configure the IP ports. Port 0xBEE is reserved for the XBee Application Service and should not be used for the Serial Communication Service. The behavior of this service varies based on the mode of the serial port.

Transparent mode

In Transparent mode, only one port is available, and that port may be either UDP or TCP depending on the configuration specified in [IP \(IP Protocol\)](#). Data received on the serial port is packetized and sent to the RF port and data received on the RF port is sent to the serial port without any formatting of the data. For details about how data is packetized, see [Transparent operating mode](#).

UDP

When [IP \(IP Protocol\)](#) is configured for User Datagram Protocol (UDP), serial data is sent to the IP address specified by [DL command](#) and it is sent to the UDP port specified by [DE \(Destination port\)](#). The source of the packet is defined by [C0 \(Serial Communication Service Port\)](#). No connection is established

TCP

When [IP \(IP Protocol\)](#) is configured for Transmission Control Protocol (TCP), only one connection is allowed at a time. If a transmission is attempted while a TCP connection exists, the data is sent on that connection, ignoring the [DL command](#) and [DE \(Destination port\)](#) parameters. This connection can be initiated by a local host or by a network client.

A local host initiates a connection by sending data to the serial port. A connection is created based on the [DL](#) and [DE](#) commands. However, if [DL](#) is a broadcast address, then UDP is used, ignoring the TCP configuration.

A network client establishing a TCP connection to the XBee Wi-Fi RF Module uses the port defined by [C0 \(Serial Communication Service Port\)](#). When established, any data sent by the local host does not create a new connection based on [DL](#) and [DE](#), but rather uses the existing connection.

API mode

API mode allows you to specify the protocol (UDP or TCP) destination address, destination port, and source port for transmission.

UDP mode

If you specify UDP mode in the [Transmit \(TX\) Request: IPv4 - 0x20](#), no connection is made to the destination address and port. Instead, the data is packetized and sent directly, providing the source port matches the local port specified by [C0 \(Serial Communication Service Port\)](#).

TCP mode

In API mode, multiple TCP connections are allowed simultaneously. A TCP connection is fully defined by these four entities:

- Local IP address
- Local port number
- Remote IP address
- Remote port number

When an [Transmit \(TX\) Request: IPv4 - 0x20](#) is sent to the device, it specifies a destination address and port. To send data on an existing TCP connection, the destination address and port given in the API frame must match the remote address and port of an existing TCP connection. The search for a matching connection ignores the source port number given in the API frame. This means that only one TCP connection is allowed per remote port.

The source port matters in the event that a matching TCP connection is not found. If it is 0, then an attempt is made to create a new connection prior to sending the data. If not, the data is dropped with an error.

For purposes of the following discussion, a client requests a TCP connection of a server and a server accepts a TCP connection request from a client.

As a client, the best strategy is to specify a source port of 0 and a destination port to match the listening socket [[C0 \(Serial Communication Service Port\)](#)] of the receiving device or the server port for any other network device. This way, if a connection is not found, a new one is created.

As a server, the best strategy is to swap the source and destination ports found in the IPv4 receive packet and place them in the response, which is an IPv4 transmit packet. This allows the response to be sent back on the same socket as the received data. If the data is sent to the listening socket of the

other device rather than to the source socket given in the IPv4 receive packet, then an extra socket is created. While this still works, it unnecessarily creates an extra socket connection.

I/O support

The following topics describe analog and digital I/O line support, line passing and output control.

Analog and digital I/O lines	72
Configure I/O functions	73
I/O sampling	74
Queried sampling	75
Periodic I/O sampling	75
Change detection sampling	76
RSSI PWM	76

Analog and digital I/O lines

XBee Wi-Fi RF Module firmware supports a number of analog and digital I/O pins that are configured through software commands. You can set or query analog and digital I/O lines. The following tables list the configurable I/O pins and the corresponding configuration commands.

Through-hole device

Pin names	Device pin	AT command	Command range	Default value
DIO1/AD1/ $\overline{\text{SPI_ATTN}}$	19	D1	0-5	0
DIO2/AD2/ $\overline{\text{SPI_CLK}}$	18	D2	0-5	0
DIO3/AD3/ $\overline{\text{SPI_SSEL}}$	17	D3	0-5	0
DIO4/ $\overline{\text{SPI_MOSI}}$	11	D4	0-1, 3-5	0
DIO5/ASSOCIATE	15	D5	0-1, 3-5	1
DIO6/ $\overline{\text{RTS}}$	16	D6	0-1, 3-5	0
DIO7/ $\overline{\text{CTS}}$	12	D7	0-1, 3-7	1
DIO8/ $\overline{\text{DTR/SLEEP_RQ}}$	9	D8	0-1, 3-5	1
DIO9/On_SLEEP	13	D9	0-1, 3-5	1
DIO10/RSSI PWM/PWM0	6	P0	0-5	1
DIO11/PWM1	7	P1	0, 2-5	0
DIO12/ $\overline{\text{SPI_MISO}}$	4	P2	0-1, 3-5	0
DIO13/ $\overline{\text{DOUT}}$	2	P3	0-1	1
DIO14/ $\overline{\text{DIN/CONFIG}}$	3	P4	0-1	1

Surface-mount device

Pin names	Device pin	AT command	Command range	Default value
DIO1/AD1	32	D1	0, 2-5	0
DIO2/AD2	31	D2	0, 2-5	0
DIO3/AD3	30	D3	0, 2-5	0
DIO4	24	D4	0, 3-5	0
DIO5/ASSOCIATE	28	D5	0-1, 3-5	1
DIO6/ $\overline{\text{RTS}}$	29	D6	0-1, 3-5	0
DIO7/ $\overline{\text{CTS}}$	25	D7	0-1, 3-7	1

Pin names	Device pin	AT command	Command range	Default value
DIO8/DTR/SLEEP_RQ	10	D8	0-1, 3-5	1
DIO9/On_SLEEP	26	D9	0-1, 3-5	1
DIO10/RSSI PWM/PWM0	7	P0	0-5	1
DIO11/PWM1	8	P1	0, 2-5	0
DIO12	5	P2	0, 3-5	0
DIO13/DOUT	3	P3	0-1	1
DIO14/DIN/CONFIG	4	P4	0-1	1
DIO15/SPI_MISO	17	P5	0-1, 4-5	1
DIO16/SPI_MOSI	16	P6	0-1, 4-5	1
DIO17/SPI_SSEL	15	P7	0-1, 4-5	1
DIO18/SPI_CLK	14	P8	0-1, 4-5	1
DIO19/SPI_ATTN	12	P9	0-1, 4-6	1

Configure I/O functions

To enable an analog or digital I/O function on one or more device pin(s):

1. Issue the appropriate configuration command with the correct parameter.
2. Apply the changes on the device for the I/O settings to take effect.

You can use **PR (Pull-up Resistor)** to set pull-up/down resistors for each digital input line. The **PR** value enables or disables the pull-up/down resistors, and **PD (Pull Direction)** determines if a pull-up or pull-down is used. Internal pull-up/down resistors are not available for digital output pins, analog input pins, or for disabled pins.

Pin command parameter	Description
0	Disabled
1	Peripheral control
2	Analog input or PWM output
3	Data in monitored
4	Data out default low
5	Data out default High
6	RS-485 enable low
7	RS-485 enable high
>7	Unsupported

I/O sampling

The XBee Wi-Fi RF Module has the ability to monitor and sample the analog and digital I/O lines. I/O samples indicate the current state of I/O lines. These samples may be output on the local (serial) port, transmitted to a remote device, or sent to Remote Manager.

There are three ways to obtain I/O samples, either locally or remotely:

- Queried sampling
- Periodic sampling
- Change detection sampling

I/O sample data is formatted as shown in following table.

Bytes	Name	Description
1	Sample Sets	Number of sample sets in the packet. Always set to 1.
2	Digital channel mask	Digital I/O line on the device. bit 0 = DIO0 bit 1 = DIO1 bit 2 = DIO2 bit 3 = DIO3 bit 4 = DIO4 bit 5 = DIO5 bit 6 = DIO6 bit 7 = DIO7 bit 8 = DIO8 bit 9 = DIO9 bit 10 = DIO10 bit 11 = DIO11 bit 12 = DIO12 For example, a digital channel mask of 0x002F means DIO0 1, 2, 3, and 5 are enabled as digital I/O.
1	Analog channel mask	Indicates which lines have analog inputs enabled for sampling. Each bit in the analog channel mask corresponds to one analog input channel. bit 0 = AD0 bit 1 = AD1 bit 2 = AD2 bit 3 = AD3
Variable	Sampled data set	If any digital I/O lines are enabled, the first two bytes of the data set indicate the state of all enabled digital I/O. Only digital channels that are enabled in the Digital channel mask bytes have any meaning in the sample set. If no digital IO is enabled on the device, these two bytes will be omitted. Following the digital I/O data (if any), each enabled analog channel will return two bytes. The data starts with AD0 and continues sequentially for each enabled analog input channel up to AD3.

The sampled data set includes two bytes of digital I/O data only if one or more I/O lines on the device are configured as digital I/O. If no pins are configured as digital I/O, these two bytes are omitted.

The digital I/O data is only relevant if the same bit is enabled in the digital I/O mask.

Analog samples are 10 bit values and aligned on a 16 bit boundary. The analog reading is scaled such that 0x0000 represents 0 V, and 0x3FF = VREF. VREF may be either 1.25 V or 2.5 V based on the setting of [AV \(Analog Voltage Reference\)](#), where 2.5 V is the default. The analog inputs on the device are capped at 0x3FF. Analog samples are returned in order starting with AD0 and finishing with AD3. Only enabled analog input channels return data as shown in the example below.

To convert the A/D reading to mV, do the following:

$$\text{AD (mV)} = (\text{A/D reading (converted to decimal)} * \text{VREF}) / 1023 \text{ where VREF may be 1250 or 2500}$$

Assuming that AV is set to the default value, the reading in the sample frame represents voltage inputs of 2385.14 mV (0x3D0) and 713.59 mV (0x124) for AD0 and AD1 respectively.

Queried sampling

[IS command](#) can be sent to a device locally, or to a remote device using [Remote AT Command Request - 0x07](#). When the **IS** command is sent and at least one I/O line is enabled as an input or an output, the receiving device samples all enabled digital I/O and analog input channels and returns an I/O sample. When no I/O line is enabled, **IS** returns an error. If **IS** is sent locally, the I/O sample is sent out the UART or SPI port. If the **IS** command was received as a remote command, the I/O sample is sent over-the-air to the device that sent the **IS** command.

If the **IS** command is issued in Command mode, the device returns a carriage return-delimited list containing the above-listed fields. If the **IS** command is issued in API mode, the device returns an API command response packet with the I/O data included in the command data portion of the response frame.

The following table shows an example of the fields in an **IS** response.

Example	Sample AT response
0x01	[1 sample set]
0x0C0C	[Digital Inputs: DIO 2, 3, 10, 11 selected]
0x03	[Analog Inputs; A/D 0,1]
0x0408	[Digital input states: DIO 3,10 high, DIO 2,11 low]
0x03D0	[Analog input ADIO 0=0x3D0]
0x0124	[Analog input ADIO 1=0x120]

Periodic I/O sampling

Periodic sampling allows the XBee Wi-Fi RF Module to take an I/O sample and transmit it to a remote device at a periodic rate. The periodic sample rate is set by [IR \(I/O Sample Rate\)](#). If **IR** is set to 0 or there are no active I/O lines, periodic sampling is disabled. For all other values of **IR**, data is sampled after **IR** milliseconds have elapsed and transmitted to a remote device. However, the device cannot keep up with transmitting an I/O sample more often than every three milliseconds. Therefore, when **IR** is set to 1 or 2, many samples are lost.

When Remote Manager is enabled (see [Network commands](#)), samples are sent as a data stream. See [Transparent mode data](#) to learn how to view the data streams. When **DO** bits 0 and 3 are both set (0x09), I/O samples are sent to the Remote Manager and to **DL**.

When Remote Manager is not enabled, the I/O sample is sent to the address specified by [DL command](#). When **DL** points to another device, that device must have API mode enabled. Otherwise, the data is dropped by the receiving device and is not sent out the serial port.

When **DL** points to a network client, the I/O sample is sent to that network client. See [Network client access](#) for the format of I/O samples sent to a network client.

IR can be used with sleep. A device transmits periodic I/O samples at the **IR** rate until the device resumes sleeping. Even if the **IR** rate is set longer than the **ST** defined wake time, at least one I/O sample is still sent before the device returns to sleep because it sends one immediately upon wake up. If it is not desired that a sample is sent every wake cycle, **IF (Sample from Sleep Rate)** can be used to configure how many wake cycles should elapse before sending I/O samples at the **IR** rate.

Change detection sampling

Devices can be configured to transmit a data sample immediately whenever a monitored digital I/O pin changes state. Change detect sampling cannot be triggered by an enabled analog input. **IC (Digital Change Detection)** is a bitmask that can be used to set which digital I/O lines should be monitored for a state change. If one or more bits in **IC** is set, an I/O sample is transmitted as soon as a state change is observed in one of the monitored digital I/O lines. Change detection samples are transmitted to the IPv4 address specified by **DL command**, to Remote Manager, or to both, depending on the setting of **DO command**. Viewing I/O samples on the remote device or Remote Manager is the same for change detect sampling as it is for periodic sampling.

Example

Configure the following I/O settings on the XBee Wi-Fi RF Module:

1. To configure DIO1/AD1 as a digital input, issue **D1 (DIO1/AD1 Configuration)** with a parameter of 3 (**ATD13**).
2. To enable pull-up resistors on the same pin, issue **PR (Pull-up Resistor)** with bit 3 set (for example **ATPR8, ATPR1FFF**, and so forth).
3. To configure DIO2/AD2 as an analog input, issue **D2 (DIO2/AD2 Configuration)** with a parameter of 2 to enable the analog input (**ATD22**).
4. To configure DIO4 as a digital output, driving high, issue **D4 (DIO4/AD4 Configuration)** with a parameter value of 5 (**ATD45**).
5. After issuing these commands, apply the changes so the device's I/O pins update to the new states. Issue **AC (Apply Changes)** or **CN command** to apply the changes.

RSSI PWM

The XBee Wi-Fi RF Module features an RSSI/PWM pin (TH pin 6/SMT pin 7) that, if enabled, adjusts the PWM output to indicate the signal strength of the last received packet. Use **P0 (DIO10 Configuration)** to enable the RSSI pulse width modulation (PWM) output on the pin. If **P0** is set to 1, the RSSI/PWM pin outputs a PWM signal where the frequency is adjusted based on the received signal strength of the last packet.

When a data packet is received, if **P0** is set to enable the RSSI/PWM feature, the RSSI PWM output is adjusted based on the link margin of the last packet. The RSSI/PWM output is enabled for a time based on **RP (RSSI PWM Timer)**. Each time an RF packet is received, the RSSI/PWM output is adjusted based on the link margin of the new packet, and the RSSI timer is reset. If the RSSI timer expires, the RSSI/PWM pin is driven low. **RP** is measured in 100 ms units and defaults to a value of 40 (4 seconds). If running on the XBIB development board, DIO10 is connected to the RSSI LEDs, which may be interpreted as follows:

PWM duty cycle	Number of LEDs turned on	Link margin
79.39% or more	3	30 db or more
62.42% to 79.39%	2	20 db to 30 db
45.45% to 62.42%	1	10 db to 20 db
Less than 45.45%	0	Less than 10 db or no reception for RP time

Wi-Fi Protected Setup (WPS)

The XBee Wi-Fi RF Module may be configured using Wi-Fi Protected Setup (WPS). WPS allows for easy establishment of a secure wireless network because security parameters are learned from a nearby access point without having to enter them manually. The device only supports WPS with the push button method. There are security concerns with using WPS with the pin method because the security information is passed in the clear.

Enable WPS	79
Use WPS	79
Pre-shared key (PSK) mode security	79

Enable WPS

WPS is enabled by default, but it is disabled if SSID is configured [ID (SSID) is not NULL] or if the device is connected in Soft AP mode.

To use WPS with the Commissioning button, enable it by configuring [D0 \(DIO0/AD0/ CB Configuration\)](#) to 1.

Use WPS

To invoke WPS:

1. Press the Commissioning button twice if [D0 \(DIO0/AD0/ CB Configuration\)](#) is set to 1.

or

1. Enter **CB2** to use the [CB command](#) command.
2. Then, you must press a corresponding WPS button on a nearby WPS-capable access point (AP) , which allows the security parameters to be exchanged and the connection to the AP to occur.

Pre-shared key (PSK) mode security

Pre-shared key (PSK) mode, also known as Personal mode, is designed for home and small office networks that do not require the complexity of an 802.1X authentication server. Each wireless network device encrypts the network traffic using a 256 bit key. You can enter this key either as a string of 64 hexadecimal digits, or as a passphrase of 8 to 63 printable ASCII characters. If you use ASCII characters, the 256 bit key is calculated by applying the PBKDF2 key derivation function to the passphrase, using the SSID as the salt and 4096 iterations of HMAC-SHA1.

General Purpose Flash Memory

General Purpose Flash Memory	81
Work with flash memory	81
Access General Purpose Flash Memory	81
General Purpose Flash Memory commands	82
Update the firmware over-the-air	89

General Purpose Flash Memory

XBee Wi-Fi RF Modules provide 160 4096-byte blocks of flash memory that an application can read and write to. This memory provides a non-volatile data storage area that an application uses for many purposes. Some common uses of this data storage include:

- Storing logged sensor data
- Buffering firmware update data for a host microcontroller
- Storing and retrieving data tables needed for calculations performed by a host microcontroller

The General Purpose Memory (GPM) is also used to store a firmware update file for over-the-air firmware updates of the device itself.

Work with flash memory

When working with the General Purpose Memory, observe the following limitations:

- Flash memory write operations are only capable of changing binary 1s to binary 0s. Only the erase operation can change binary 0s to binary 1s. For this reason, you should erase a flash block before performing a write operation.
- When performing an erase operation, you must erase the entire flash memory block—you cannot erase parts of a flash memory block.
- Flash memory has a limited lifetime. The flash memory on which the GPM is based is rated at 20,000 erase cycles before failure. Take care to ensure that the frequency of erase/write operations allows for the desired product lifetime. Digi's warranty does not cover products that have exceeded the allowed number of erase cycles.
- Over-the-air firmware updates erase the entire GPM. Any user data stored in the GPM will be lost during an over-the-air update.

Access General Purpose Flash Memory

The GPM of a target node can be accessed from the XBee Wi-Fi RF Module's serial port or from a non-XBee network client.

To access the GPM of a target node locally or over-the-air, send commands to the MEMORY_ACCESS cluster ID (0x23) on the DIGI_DEVICE endpoint (0xE6) of the target node using explicit API frames. Explicit API frames have frame identifier 0x11. For a description of Explicit API frames, see [Operate in API mode](#).

Access from a non-XBee network client is performed by sending UDP frames to the target node on port 0x0BEE. The payload begins with an application header followed by the GPM header described below. See [Network client access](#) to learn how to format the application header.

Use the following header to generate a GPM command. Use it whether you use serial port access or network client access. For network client access, an application header needs to precede the GPM header. This section describes the perspective of serial port access, without the application header. Do not forget to precede each frame with an application header if you use a network client for GPM access.

Byte offset in payload	Number of bytes	Field name	General field description
0	1	GPM_CMD_ID	Specific GPM commands are described in detail in the topics that follow.
1	1	GPM_OPTIONS	Command-specific options.
2	2*	GPM_BLOCK_NUM	The block number addressed in the GPM.. Ranges from 0 to 159 (0x9F).
4	2*	GPM_START_INDEX	The byte index within the addressed GPM block.
6	2*	GPM_NUM_BYTES	The number of bytes in the GPM_DATA field, or in the case of a READ, the number of bytes requested.
8	varies	GPM_DATA	

* Specify multi-byte parameters with big-endian byte ordering.

When a device sends a GPM command to another device via a unicast, the receiving device sends a unicast response back to the requesting device's source endpoint specified in the request packet. It does not send a response for broadcast requests. If the source endpoint is set to the DIGI_DEVICE endpoint (0xE6) or Explicit API mode is enabled on the requesting device, then the requesting node outputs a GPM response as an explicit API RX indicator frame (assuming it has API mode enabled). The format of the response is similar to the request packet:

Byte offset in payload	Number of bytes	Field name	General field description
0	1	GPM_CMD_ID	This field is the same as the request field.
1	1	GPM_STATUS	Status indicating whether the command was successful.
2	2*	GPM_BLOCK_NUM	The block number addressed in the GPM.. Ranges from 0 to 159 (0x9F).
4	2*	GPM_START_INDEX	The byte index within the addressed GPM block.
6	2*	GPM_NUM_BYTES	The number of bytes in the GPM_DATA field.
8	varies	GPM_DATA	

* Specify multi-byte parameters with big-endian byte ordering.

General Purpose Flash Memory commands

This section provides information about commands that interact with GPM:

PLATFORM_INFO_REQUEST (0x00)

A PLATFORM_INFO_REQUEST frame can be sent to query details of the GPM structure.

Field name	Command-specific description
GPM_CMD_ID	Should be set to PLATFORM_INFO_REQUEST (0x00).
GPM_OPTIONS	This field is unused for this command. Set to 0.
GPM_BLOCK_NUM	This field is unused for this command. Set to 0.
GPM_START_INDEX	This field is unused for this command. Set to 0.
GPM_NUM_BYTES	This field is unused for this command. Set to 0.
GPM_DATA	No data bytes should be specified for this command.

PLATFORM_INFO (0x80)

When a PLATFORM_INFO_REQUEST command request has been unicast to a node, that node sends a response in the following format to the source endpoint specified in the requesting frame.

Field name	Command-specific description
GPM_CMD_ID	Should be set to PLATFORM_INFO (0x80).
GPM_STATUS	A 1 in the least significant bit indicates an error occurred. All other bits are reserved at this time.
GPM_BLOCK_NUM	Indicates the number of GPM blocks available.
GPM_START_INDEX	Indicates the size, in bytes, of a GPM block.
GPM_NUM_BYTES	The number of bytes in the GPM_DATA field. For this command, this field will be set to 0.
GPM_DATA	No data bytes are specified for this command.

Example

A PLATFORM_INFO_REQUEST sent to a device with a serial number of 0x0013a200407402AC should be formatted as follows (spaces added to delineate fields):

```
7E 001C 11 01 0013A200407402AC FFFE E6 E6 0023 C105 00 00 00 0000 0000 0000 24
```

Assuming all transmissions were successful, the following API packets would be output the source node's serial interface:

```
7E 0007 8B 01 FFFE 00 00 00 76
```

```
7E 001A 91 0013A200407402AC FFFE E6 E6 0023 C105 C1 80 00 0077 0200 0000 EB
```

ERASE (0x01)

The ERASE command erases (writes all bits to binary 1) one or all of the GPM flash blocks. You can also use the ERASE command to erase all blocks of the GPM by setting the GPM_NUM_BYTES field to 0.

Field name	Command-specific description
GPM_CMD_ID	Should be set to ERASE (0x01).
GPM_OPTIONS	There are currently no options defined for the ERASE command. Set this field to 0.
GPM_BLOCK_NUM	Set to the index of the GPM block that should be erased. When erasing all GPM blocks, this field is ignored (set to 0).
GPM_START_INDEX	The ERASE command only works on complete GPM blocks. The command cannot be used to erase part of a GPM block. For this reason GPM_START_INDEX is unused (set to 0).
GPM_NUM_BYTES	Setting GPM_NUM_BYTES to 0 has a special meaning. It indicates that every flash block in the GPM should be erased (not just the one specified with GPM_BLOCK_NUM). In all other cases, the GPM_NUM_BYTES field should be set to the GPM flash block size.
GPM_DATA	No data bytes are specified for this command.

ERASE_RESPONSE (0x81)

When an ERASE command request has been unicast to a node, that node sends a response in the following format to the source endpoint specified in the requesting frame.

Field name	Command-specific description
GPM_CMD_ID	Should be set to ERASE_RESPONSE (0x81).
GPM_STATUS	A 1 in the least significant bit indicates an error occurred. All other bits are reserved at this time.
GPM_BLOCK_NUM	Matches the parameter passed in the request frame.
GPM_START_INDEX	Matches the parameter passed in the request frame.
GPM_NUM_BYTES	The number of bytes in the GPM_DATA field. For this command, this field will be set to 0.
GPM_DATA	No data bytes are specified for this command.

Example

To erase flash block 42 of a target radio with serial number of 0x0013a200407402ac format an ERASE packet as follows (spaces added to delineate fields):

```
7E 001C 11 01 0013A200407402AC FFFE E6 E6 0023 C105 00 C0 01 00 002A 0000 0200 37
```

Assuming all transmissions were successful, the following API packets would be output the source node's serial interface:

```
7E 0007 8B 01 FFFE 00 00 00 76
```

```
7E 001A 91 0013A200407402AC FFFE E6 E6 0023 C105 C1 81 00 002A 0000 0000 39
```

WRITE (0x02) and ERASE_THEN_WRITE (0x03)

The WRITE command writes the specified bytes to the GPM location specified. Before writing bytes to a GPM block it is important that the bytes have been erased previously. The ERASE_THEN_WRITE command performs an ERASE of the entire GPM block specified with the GPM_BLOCK_NUM field prior to doing a WRITE.

Field name	Command-specific description
GPM_CMD_ID	Should be set to WRITE (0x02) or ERASE_THEN_WRITE (0x03).
GPM_OPTIONS	There are currently no options defined for this command. Set this field to 0.
GPM_BLOCK_NUM	Set to the index of the GPM block that should be written. Ranges from 0 to 159 (0x9F).
GPM_START_INDEX	Set to the byte index within the GPM block where the given data should be written.
GPM_NUM_BYTES	<p>Set to the number of bytes specified in the GPM_DATA field. If the command is ERASE_THEN_WRITE (0x03), the GPM is erased before it is written. For the WRITE (0x02) command, the area being written should have previously been erased.</p> <hr/> <p>Note If this parameter is zero, the command erases the entire GPM and writes nothing.</p> <hr/> <p>Only one GPM block can be operated on per command. For this reason, GPM_START_INDEX + GPM_NUM_BYTES cannot be greater than the GPM block size. The number of bytes sent in an explicit API frame (including the GPM command fields) cannot exceed the maximum payload size of the device. The maximum payload size can be queried with the NP command.</p>
GPM_DATA	The data to be written.

WRITE_RESPONSE (0x82) and ERASE_THEN_WRITE_RESPONSE (0x83)

When a WRITE or ERASE_THEN_WRITE command request has been unicast to a node, that node sends a response in the following format to the source endpoint specified in the requesting frame.

Field name	Command-specific description
GPM_CMD_ID	Should be set to WRITE_RESPONSE (0x82) or ERASE_THEN_WRITE_RESPONSE (0x83)
GPM_STATUS	A 1 in the least significant bit indicates an error occurred. All other bits are reserved at this time
GPM_BLOCK_NUM	Matches the parameter passed in the request frame
GPM_START_INDEX	Matches the parameter passed in the request frame

Field name	Command-specific description
GPM_NUM_BYTES	The number of bytes in the GPM_DATA field. For this command, this field will be set to 0
GPM_DATA	No data bytes are specified for these commands

Example

To write 15 bytes of incrementing data to flash block 22 of a target radio with serial number of 0x0013a200407402ac a WRITE packet should be formatted as follows (spaces added to delineate fields):

```
7E 002B 11 01 0013A200407402AC FFFE E6 E6 0023 C105 00 C0 02 00 0016 0000 000F
0102030405060708090A0B0C0D0E0F C5
```

Assuming all transmissions were successful and that flash block 22 was previously erased, the following API packets would be output the source node's serial interface:

```
7E 0007 8B 01 FFFE 00 00 00 76
7E 001A 91 0013A200407402AC FFFE E6 E6 0023 C105 C1 82 00 0016 0000 0000 4C
```

READ (0x04)

You can use the READ command to read the specified number of bytes from the GPM location specified. Data can be queried from only one GPM block per command.

Field name	Command-specific description
GPM_CMD_ID	Should be set to READ (0x04).
GPM_OPTIONS	There are currently no options defined for this command. Set this field to 0.
GPM_BLOCK_NUM	Set to the index of the GPM block that should be read. Ranges from 0 to 159 (0x9F).
GPM_START_INDEX	Set to the byte index within the GPM block where the given data should be read.
GPM_NUM_BYTES	Set to the number of data bytes to be read. Only one GPM block can be operated on per command. For this reason, GPM_START_INDEX + GPM_NUM_BYTES cannot be greater than the GPM block size. The number of bytes sent in an explicit API frame (including the GPM command fields) cannot exceed the maximum payload size of the device. You can query the maximum payload size with the NP AT command.
GPM_DATA	No data bytes should be specified for this command.

READ_RESPONSE (0x84)

When a READ command request has been unicast to a node, that node sends a response in the following format to the source endpoint specified in the requesting frame.

Field name	Command-specific description
GPM_CMD_ID	Should be set to READ_RESPONSE (0x84).
GPM_STATUS	A 1 in the least significant bit indicates an error occurred. All other bits are reserved at this time.
GPM_BLOCK_NUM	Matches the parameter passed in the request frame.
GPM_START_INDEX	Matches the parameter passed in the request frame.
GPM_NUM_BYTES	The number of bytes in the GPM_DATA field.
GPM_DATA	The bytes read from the GPM block specified.

Example

To read 15 bytes of previously written data from flash block 22 of a target radio with serial number of 0x0013a200407402ac a READ packet should be formatted as follows (spaces added to delineate fields):

```
7E 001C 11 01 0013A200407402AC FFFE E6 E6 0023 C105 00 C0 04 00 0016 0000 000F 3B
```

Assuming all transmissions were successful and that flash block 22 was previously written with incrementing data, the following API packets would be output the source node's serial interface:

```
7E 0007 8B 01 FFFE 00 00 00 76
```

```
7E 0029 91 0013A200407402AC FFFE E6 E6 0023 C105 C1 84 00 0016 0000 000F
0102030405060708090A0B0C0D0E0F C3
```

FIRMWARE_VERIFY (0x05) and FIRMWARE_VERIFY_AND_INSTALL (0x06)

Use the FIRMWARE_VERIFY and FIRMWARE_VERIFY_AND_INSTALL commands when remotely updating firmware on a device. For more information about firmware updates, see [Update the firmware over-the-air](#). These commands check if the GPM contains a valid over-the-air update file. For the FIRMWARE_VERIFY_AND_INSTALL command, if the GPM contains a valid firmware image then the device resets and begins using the new firmware.

Field name	Command-specific description
GPM_CMD_ID	Should be set to FIRMWARE_VERIFY (0x05) or FIRMWARE_VERIFY_AND_INSTALL (0x06)
GPM_OPTIONS	There are currently no options defined for this command. Set this field to 0.
GPM_BLOCK_NUM	This field is unused for this command. Set to 0.
GPM_START_INDEX	This field is unused for this command. Set to 0.
GPM_NUM_BYTES	This field is unused for this command. Set to 0.
GPM_DATA	This field is unused for this command

FIRMWARE_VERIFY_RESPONSE (0x85)

When a FIRMWARE_VERIFY command request has been unicast to a node, that node sends a response in the following format to the source endpoint specified in the requesting frame.

Field name	Command-specific description
GPM_CMD_ID	Should be set to FIRMWARE_VERIFY_RESPONSE (0x85)
GPM_STATUS	A 1 in the least significant bit indicates the GPM does not contain a valid firmware image. A 0 in the least significant bit indicates the GPM does contain a valid firmware image. All other bits are reserved at this time.
GPM_BLOCK_NUM	This field is unused for this command. Set to 0.
GPM_START_INDEX	This field is unused for this command. Set to 0.
GPM_NUM_BYTES	This field is unused for this command. Set to 0.
GPM_DATA	This field is unused for this command

FIRMWARE_VERIFY_AND_INSTALL_RESPONSE (0x86)

When a FIRMWARE_VERIFY_AND_INSTALL command request has been unicast to a node, that node sends a response in the following format to the source endpoint specified in the requesting frame only if the GPM memory does not contain a valid image. If the image is valid, the device resets and begins using the new firmware.

Field name	Command-specific description
GPM_CMD_ID	Should be set to FIRMWARE_VERIFY_AND_INSTALL_RESPONSE (0x86).
GPM_STATUS	A 1 in the least significant bit indicates the GPM does not contain a valid firmware image. All other bits are reserved at this time.
GPM_BLOCK_NUM	This field is unused for this command. Set to 0.
GPM_START_INDEX	This field is unused for this command. Set to 0.
GPM_NUM_BYTES	This field is unused for this command. Set to 0.
GPM_DATA	This field is unused for this command.

Example

To verify a firmware image previously loaded into the GPM on a target device with serial number 0x0013a200407402ac, format a FIRMWARE_VERIFY packet as follows (spaces added to delineate fields):

```
7E 001C 11 01 0013A200407402AC FFFE E6 E6 0023 C105 00 00 05 00 0000 0000 0000 1F
```

Assuming all transmissions were successful and that the firmware image previously loaded into the GPM is valid, the following API packets would be output the source node's serial interface:

```
7E 0007 8B 01 FFFE 00 00 00 76
```

```
7E 001A 91 0013A200407402AC FFFE E6 E6 0023 C105 C1 85 00 0000 0000 0000 5F
```


Update the firmware over-the-air

This section provides instruction on how to update your firmware using wired updates and over-the-air updates.

Over-the-air firmware updates

There are two methods of updating the firmware on the device. You can update the firmware locally with XCTU using the device's serial port interface. You can also update firmware using the device's RF interface (over-the-air updating.)

The over-the-air firmware update method provided is a robust and versatile technique that you can tailor to many different networks and applications. OTA updates are reliable and minimize disruption of normal network operations.

In the following sections, we refer to the node that will be updated as the target node. We refer to the node providing the update information as the source node. In most applications the source node is locally attached to a computer running update software.

There are three phases of the over-the-air update process:

1. [Distribute the new application](#)
2. [Verify the new application](#)
3. [Install the application](#)

Distribute the new application

The first phase of performing an over-the-air update on a device is transferring the new firmware file to the target node. Load the new firmware image in the target node's GPM prior to installation. XBee Wi-Fi RF Modules use an encrypted binary (.ebin) file for both serial and over-the-air firmware updates. These firmware files are available on the [Digj Support website](#) and via XCTU.

Send the contents of the .ebin file to the target device using general purpose memory WRITE commands. Erase the entire GPM prior to beginning an upload of an .ebin file. The contents of the .ebin file should be stored in order in the appropriate GPM memory blocks. The number of bytes that are sent in an individual GPM WRITE frame is flexible and can be catered to the user application.

Example

If the size of the .ebin file is 217,088 bytes, then it could be sent to the device in 1024 byte blocks as follows:

GPM_BLOCK_NUM	GPM_START_INDEX	GPM_NUM_BYTES	.ebin bytes
0	0	1024	0 to 1023
0	1024	1024	1024 to 2047
0	2048	1024	2048 to 3071
0	3072	1024	3071 to 4095
1	0	1024	4096 to 5119
1	1024	1024	5120 to 6143
-	-	-	-
-	-	-	-
-	-	-	-

GPM_BLOCK_NUM	GPM_START_INDEX	GPM_NUM_BYTES	.ebin bytes
52	1024		214,016 to 215,039
52	2048		215,040 to 216,063
52	3072		216,064 to 217,087

Verify the new application

For an uploaded application to function correctly, every single byte from the .ebin file must be properly transferred to the GPM. To guarantee that this is the case, GPM VERIFY functions exist to ensure that all bytes are properly in place. The FIRMWARE_VERIFY function reports whether or not the uploaded data is valid. The FIRMWARE_VERIFY_AND_INSTALL command reports if the uploaded data is invalid. If the data is valid, it begins installing the application. No installation takes place on invalid data.

Install the application

When the entire .ebin file is uploaded to the GPM of the target node, you can issue a FIRMWARE_VERIFY_AND_INSTALL command. Once the target receives the command it verifies the .ebin file loaded in the GPM. If it is valid, then the device installs the new firmware. This installation process can take up to eight seconds. During the installation the device is unresponsive to both serial and RF communication. To complete the installation, the target device resets. AT parameter settings which have not been written to flash using the **WR** command will be lost.

Important considerations

The firmware update process requires that the device resets itself. Because of this reset parameters which have not been written to flash are lost after the reset. To avoid this, write all parameters with the **WR** command before doing a firmware update.

Because explicit API Tx frames can be addressed to a local node (accessible via the SPI or UART) or a remote node (accessible over the RF port) the same process can be used to update firmware on a device in either case.

Get started with Digi Remote Manager

Digi Remote Manager® is a cloud-based device and data management platform that you can use to configure and update a device, and view and manage device data.

- [Create a Remote Manager account and add devices](#)
- Configure your device in Remote Manager

To be able to configure your device in Remote Manager, the device must be connected to Remote Manager. You can connect to and configure your device in Remote Manager using one of the following methods:

 - **Scheduled connection:** In this method, you create a list of tasks that you want to perform on the device, and then start the operation. This is the recommended method, and is the best choice for low data usage. See [Configure Remote Manager features by scheduling tasks](#).
 - **Always connected:** This method can be used for initial configuration, or when you are not concerned with low data usage. See [Configure XBee settings within Remote Manager](#).
- [Manage data in Remote Manager](#)
- [Remote Manager reference](#)

Use XCTU to enable Remote Manager

To enable an XBee Wi-Fi RF Module connected to XCTU for Remote Manager:

1. Select the device in the **Radio Modules** list.
2. In the **Working area** of XCTU, type 1 in the **DO** (Device Options) command field; this enables Remote Manager for the device.
3. Click the **Write** button.

Configure the device

If your XBee devices are connected to Remote Manager, you can query and configure the XBee Wi-Fi RF Module through Remote Manager. To do this:

1. Log in to Remote Manager.
2. Click the **Device Management** tab.
3. Click the **XBee Networks** tab.
4. Double click the device you want to configure.
5. Click **Configuration**. A list of AT command types displays.
6. Click the category of AT commands that you want to modify, **Network Settings** for example.

7. Change the settings of the appropriate AT command(s).
8. Click the **Refresh** button to query the current configuration.
9. Click the **Save** button to save the current configuration changes. If the changes are valid, Remote Manager writes them to non-volatile memory and applies them.
10. If you want to apply these changes later, click the drop-down arrow on the **Save** button and select **Schedule**.
11. The **Save Device Properties** dialog allows you to schedule changes to connected devices to be either:
 - a. **Immediate** (default)
 - b. **One-Time**: Schedule a one-time reboot at a specified date and time.
 - c. **Recurring**: Set a recurring reboot schedule, with start and end dates and times, as well as frequency.
 - d. **Schedule Offline**: Queue device reboot to occur the next time this device connects to Remote Manager.
12. Click the **Export** button to export the device's settings; the **Export Properties** dialog appears.
13. Choose the **Export all** option (default) or **Export all except unique network and device identity properties**.
14. Click **OK**. A message appears, asking whether you want to open or save the downloaded file.

Output control

You can find **Executable Commands** in **Device Management**. Select an XBee Wi-Fi RF Module and click **System Information**. The executable commands are the **IO** (Set Output Pins) and **OM** (Output Mask) commands.

1. Log in to Remote Manager.
2. Click the **Device Management** tab.
3. Click the **XBee Networks** tab.
4. Double click the device you want to configure.
5. Click **System Information**. A list of AT command types displays.
6. Click **Executable commands**.
7. In the **(IO) Set output pins** field, configure the pins that you want to set the output to the desired level. None of the pins are configured for output by default. The parameter given to the **IO** command is a bit map that specifies which IO lines are set to which levels; see [IO command bits](#) for details on the bits.
8. In the **(OM) Set mask for IO command** field set the bits you want to control. The **OM** command is an output mask that enables (1) or disables (0) the corresponding bit in the **IO** command. To control the output level of a pin with an **IO** command, you set the corresponding bit in the **OM** command and you configure the corresponding pin (for example DIO2 for bit 2) as an output low (4) or output high (5).
9. Send the **IO** command to set the output to the desired level. (0 sets it low and 1 sets it high.)

Each pin also has an associated timer to be used in conjunction with the **IO** command. The timer determines how long the **IO** command remains effective for each IO pin that is set to a level different than its configured value. If the timer is set to a default value of 0, then the **IO** command remains in effect until it is overridden by another **IO** command or you reset the device. Otherwise, the timer

specifies the number of tenth second (100 ms) units that the device stays at the selected level before reverting to its configured level. The maximum value allowed is 6000 (0x1770), which allows for ten minutes.

The AT commands for these timers are **T0** through **T9** for pins DIO0 through DIO9 and **Q0** through **Q9** for pins DIO10 through DIO19. To modify these commands, click **Configuration > Input and Output Settings** and use the choice menu to modify the time.

IO command bits

The **IO** command sets the level of output pins to high or low. The parameter you give to the **IO** command is a bit map that specifies which I/O pins are set to which levels. The following table shows the bits and the corresponding pin.

No pins are configured for output by default.

Bit	I/O pin
0	DIO0
1	DIO1
2	DIO2
3	DIO3
4	DIO4
5	DIO5
6	DIO6
7	DIO7
8	DIO8
9	DIO9
10	DIO10
11	DIO11
12	DIO12
13	DIO13
14	DIO14
15	DIO15 (surface-mount device only)
16	DIO16 (surface-mount device only)
17	DIO17 (surface-mount device only)
18	DIO18 (surface-mount device only)
19	DIO19 (surface-mount device only)

Send I/O samples to Remote Manager

To send I/O samples to Remote Manager:

1. Set **IR** to a non-zero value.
2. Activate at least one I/O line.
3. Enable Remote Manager.

If Remote Manager is not enabled, then I/O samples go to the address specified by the **DL** command. See [Periodic I/O sampling](#).

View I/O samples in Remote Manager

1. In your Remote Manager account, click **Device Management > Devices**.
2. Double click the device.
3. Click **Home**.
4. Click the **View Device Streams** button.

or

1. Click **Data Services > Data Streams**.
2. In the **Stream** column, click the MAC address of the module/serial/0.

The data streams are organized by the serial number of the sending device and then by the signal line being monitored.

Update the firmware from Remote Manager

The XBee Wi-Fi RF Module supports Remote Manager firmware updates. To perform a firmware update, use the following steps.

1. Download the updated firmware file for your device from the manufacturer's site.
2. In your Remote Manager account, click **Device Management > Devices**.
3. Select the first device you want to update.
4. To select multiple devices (must be of the same type), press the Control key and select additional devices.
5. Click **More** in the Devices toolbar and select **Update Firmware** from the Update category of the More menu. The Update Firmware dialog appears.
6. Click **Browse** to select the appropriate firmware file for the device. The file must have a .ebin extension, which indicates an encrypted binary file. This same file is normally zipped up with the .mxi file of each firmware release.
7. Click **Update Firmware**. The updated devices will automatically reboot when the updates are complete.

Send data requests

The Send Data request allows the host to use the XBee Wi-Fi RF Module to send a file to Remote Manager. To send a request, a host connected to the serial port of the device sends a [Send Data Request - 0x28 API frame](#).

Enable messages to the host

If you have a host application connected to the serial port of the XBee Wi-Fi RF Module, you can enable Remote Manager to send a message to the host, as the following sequence shows.

1. In Remote Manager, send the [Device Request frame - 0xB9](#) to the host.
2. If the Device Request frame (0xB9) ID is non-zero, then after the Device Request frame (0xB9) goes out the serial port, the host has up to five seconds to send back a Device Response frame (0x2A).
3. If the host does not send a [Device Response - 0x2A](#), the XBee Wi-Fi RF Module sends a timeout response to Remote Manager.
4. After the host sends a Device Response frame (0x2A), the XBee Wi-Fi RF Module sends a [Device Response Status frame - 0xBA](#) to the host.

About the device request and frame ID

The firmware uses two identifiers in these three frames to correlate the messages:

1. The device request ID identifies the device request
2. The frame ID identifies the device response

The host reads the Device Request frame (0xB9) ID when it is received on the serial port. If the device request ID is non-zero, it generates a device response containing that same device request ID. A mismatch causes an error. In addition to the Device Request frame (0xB9) ID, the Device Response frame (0x2A) that the host generates contains a frame ID. A frame ID of 0 instructs the XBee device not to send a Device Response Status frame (0xBA). A non-zero frame ID is a request for a Device Response Status frame (0xBA), which includes the designated frame ID. Therefore, a Device Request frame (0xB9) contains a device request ID, a Device Response frame (0x2A) contains a device request ID and a frame ID, and a Device Response Status frame (0xBA) contains only a frame ID.

Populate and send a Device Request frame (0xB9)

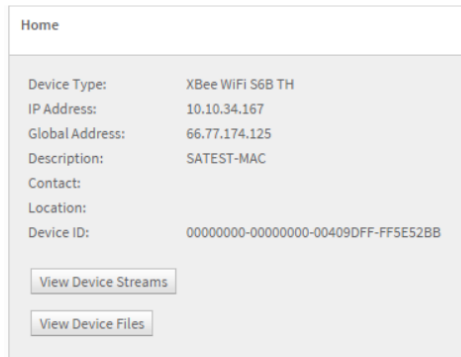
1. In Remote Manager, click **Documentation > API Explorer**.
2. Click **Examples > SCI > Data Service > Send request**. A sample XML file that you can modify appears as seen in the following code sample:

```
<sci_request version="1.0">
  <data_service>
    <targets>
      <device id="00000000-00000000-00000000-00000000"/>
    </targets>
    <requests>
      <device_request target_name="myTarget">
        my payload string
      </device_request>
    </requests>
  </data_service>
</sci_request>
```

3. Under **<targets>** type the MAC address of the XBee Wi-Fi RF Module in this format:

```
00000000-00000000-010203FF-FF040506
```


where 01 to 06 are the first through sixth bytes of the MAC address, respectively, and 00 and FF are literally 00 and FF. In Remote Manager, you can find the device MAC address in this format in the device's **Home** field.



4. Under **<requests>**, you can type a target name as desired, but any target name beginning with **XBee** (case insensitive) is reserved for use on the XBee device itself and will not be sent out the serial port.
5. Type the string that will be output in the device request. Both the target name and the device request string depend on your application and the XBee device passes these strings on, unmodified.
6. In the **HTTP Method** field, select the **POST** option button.
7. Click **Send**. The device response appears in the **Web Services Responses** pane.

Transparent mode data

The XBee Wi-Fi RF Module also supports Remote Manager transmissions and receptions in Transparent mode. Transparent data is sent to Remote Manager using the Send Data interface and Transparent data is received from Remote Manager using the Device Request interface. Some parts of those interfaces are lost due to not using the API interface.

Send data to Remote Manager

The device can send serial data to Remote Manager as files or as binary data points. To make this selection, use bit 4 of **DO command**. If you set **DO** bit 4, then the serially-connected host sends Transparent data to Remote Manager as binary data points. Otherwise, it sends the data as a file. Files are static and permanent. Data streams are dynamic and you can graph them to understand changes.

AT command settings to put serial data in Remote Manager

API Enable command:

- 0: Transparent Mode
- 1: API Mode without escapes
- 2: API Mode with escapes

EQ (Remote Manager FQDN) command:

The URL for Remote Manager must be my.devicecloud.com or devicecloud.digi.com

DO command command:

Bits 0-7: Encoded in Hex.

0: Enable Remote Manager (1), Disable (0).

1: Soft AP when **ID** = None. This has nothing to do with Remote Manager.

2: Send Transparent Data to Remote Manager (1), send to **DL** (0).

3: Send **IO** both to Remote Manager and **DL** (1), Remote Manager only (0).

4: Send Transparent data as a data stream (1), file data (0) – must have bit 2.

5: If bit 4 is 0, replace file (1), append to file (0).

Hence, the following values:

00: Do not use Remote Manager at all.

05: Send Transparent data to Remote Manager as a file which is appended (00000101).

/ws/FileData/~/00000000-00000000-00409DFF-FFxxxxx/serial/0

25: Send transparent data to Remote Manager as a file which is overwritten (00100101)

/ws/FileData/~/00000000-00000000-00409DFF-FFxxxxx/serial/0

15: Send transparent data to Remote Manager as a data point – encoded in BINARY

/ws/v1/streams/inventory/00000000-00000000-00409DFF-FF5DB54F/serial/0

/ws/DataPoint/00000000-00000000-00409DFF-FF5DB54F/serial/0

/ws/DataStream/00000000-00000000-00409DFF-FF5DB54F/serial/0

01: Connect to Remote Manager, but send Transparent data to the address and port of **DL/DE** using the protocol in IP.

This is convenient if you want to use the TCP or UDP method for posting at datapoint.

Send files

The file name that is written on Remote Manager is named **serial/0**. The file type is **text/plain**. **DO command** bit 5 selects whether to append to an existing file or to replace it. If replacing an existing file and the size of the data being sent exceeds the maximum frame size allowed (1400 bytes), then that frame is broken up and only the last part shows up in the file because the last part will replace rather than append to the first part.

Send binary data points

To send binary data points to Remote Manager in Transparent mode: set **DO command** to 0x15 or 0x17, which means:

- Set **DO** to bit 4.
- Set **DO** bit 0 to enable Remote Manager.
- Set **DO** bit 2 so Transparent data goes to Remote Manager.

To view the files:

1. Double click the device.
2. Click **Home**.
3. Click the **View Device Streams** button.

or

1. Click **Data Services > Data Streams**.
2. In the **Stream** column, click the MAC address of the module/serial/0.

Receive data from Remote Manager

Transparent data is received from Remote Manager using the Device Request interface if the device is operating in Transparent mode (**AP** = 0) and Remote Manager is enabled with **DO** bit 0. Only the raw data is seen on the serial interface and the target string to which Remote Manager sent the data is not available.

You must use API mode to see the target string. In Transparent mode, Remote Manager should not request a response because none is given.

Operate in API mode

API mode overview	101
Use the AP command to set the operation mode	101
API frame format	101
API serial exchanges	105

API mode overview

As an alternative to Transparent operating mode, you can use API operating mode. API mode provides a structured interface where data is communicated through the serial interface in organized packets and in a determined order. This enables you to establish complex communication between devices without having to define your own protocol. The API specifies how commands, command responses and device status messages are sent and received from the device using the serial interface or the SPI interface.

We may add new frame types to future versions of firmware, so build the ability to filter out additional API frames with unknown frame types into your software interface.

Use the AP command to set the operation mode

Use [API Enable](#) to specify the operation mode:

AP command setting	Description
AP = 0	Transparent operating mode, UART serial line replacement with API modes disabled. This is the default option.
AP = 1	API operation.
AP = 2	API operation with escaped characters (only possible on UART).

The API data frame structure differs depending on what mode you choose.

API frame format

An API frame consists of the following:

- Start delimiter
- Length
- Frame data
- Checksum

API operation (AP parameter = 1)

This is the recommended API mode for most applications. The following table shows the data frame structure when you enable this mode:

Frame fields	Byte	Description
Start delimiter	1	0x7E
Length	2 - 3	Most Significant Byte, Least Significant Byte
Frame data	4 - number (n)	API-specific structure
Checksum	n + 1	1 byte

Any data received prior to the start delimiter is silently discarded. If the frame is not received correctly or if the checksum fails, the XBee replies with a radio status frame indicating the reason for the failure.

API operation with escaped characters (AP parameter = 2)

Setting API to 2 allows escaped control characters in the API frame. Due to its increased complexity, we only recommend this API mode in specific circumstances. API 2 may help improve reliability if the serial interface to the device is unstable or malformed frames are frequently being generated.

When operating in API 2, if an unescaped 0x7E byte is observed, it is treated as the start of a new API frame and all data received prior to this delimiter is silently discarded. For more information on using this API mode, see the [Escaped Characters and API Mode 2](#) in the Digi Knowledge base.

API escaped operating mode works similarly to API mode. The only difference is that when working in API escaped mode, the software must escape any payload bytes that match API frame specific data, such as the start-of-frame byte (0x7E). The following table shows the structure of an API frame with escaped characters:

Frame fields	Byte	Description	
Start delimiter	1	0x7E	
Length	2 - 3	Most Significant Byte, Least Significant Byte	Characters escaped if needed
Frame data	4 - n	API-specific structure	
Checksum	n + 1	1 byte	

Escaped characters in API frames

If operating in API mode with escaped characters (AP parameter = 2), when sending or receiving a serial data frame, specific data values must be escaped (flagged) so they do not interfere with the data frame sequencing. To escape an interfering data byte, insert 0x7D and follow it with the byte to be escaped (XORed with 0x20).

The following data bytes need to be escaped:

- 0x7E: start delimiter
- 0x7D: escape character
- 0x11: XON
- 0x13: XOFF

To escape a character:

1. Insert 0x7D (escape character).
2. Append it with the byte you want to escape, XORed with 0x20.

In API mode with escaped characters, the length field does not include any escape characters in the frame and the firmware calculates the checksum with non-escaped data.

Example: escape an API frame

To express the following API non-escaped frame in API operating mode with escaped characters:

Start delimiter	Length	Frame type	Frame Data	Checksum
			Data	

7E	00	0F	17	01	00	13	A2	00	40	AD	14	2E	FF	FE	02	4E	49	6D
----	----	----	----	----	----	----	----	----	----	----	----	----	----	----	----	----	----	----

You must escape the 0x13 byte:

1. Insert a 0x7D.
2. XOR byte 0x13 with 0x20: $13 \oplus 20 = 33$

The following figure shows the resulting frame. Note that the length and checksum are the same as the non-escaped frame.

Start delimiter	Length	Frame type	Frame Data															Checksum	
			Data																
7E	00	0F	17	01	00	7D	33	A2	00	40	AD	14	2E	FF	FE	02	4E	49	6D

The length field has a two-byte value that specifies the number of bytes in the frame data field. It does not include the checksum field.

Start delimiter field

This field indicates the beginning of a frame. It is always 0x7E. This allows the device to easily detect a new incoming frame.

Length field

The length field is a two-byte value that specifies the number of bytes contained in the frame data field. It does not include the checksum field.

Frame data

This field contains the information that a device receives or will transmit. The structure of frame data depends on the purpose of the API frame:

	Length		Frame data								n+1
	2	3	4	5	6	7	8	9	...	n	
0x7E	MSB	LSB	Data								

- **Frame type** is the API frame type identifier. It determines the type of API frame and indicates how the Data field organizes the information.
- **Data** contains the data itself. This information and its order depend on the what type of frame that the Frame type field defines.

Multi-byte values are sent big-endian.

Calculate and verify checksums

To calculate the checksum of an API frame:

1. Add all bytes of the packet, except the start delimiter 0x7E and the length (the second and third bytes).
2. Keep only the lowest 8 bits from the result.
3. Subtract this quantity from 0xFF.

To verify the checksum of an API frame:

1. Add all bytes including the checksum; do not include the delimiter and length.
2. If the checksum is correct, the last two digits on the far right of the sum equal 0xFF.

Example

Consider the following sample data packet: **7E 00 0A 01 01 50 01 00 48 65 6C 6C 6F B8+**

Byte(s)	Description
7E	Start delimiter
00 0A	Length bytes
01	API identifier
01	API frame ID
50 01	Destination address low
00	Option byte
48 65 6C 6C 6F	Data packet
B8	Checksum

To calculate the check sum you add all bytes of the packet, excluding the frame delimiter **7E** and the length (the second and third bytes):

7E 00 0A 01 01 50 01 00 48 65 6C 6C 6F B8

Add these hex bytes:

$$01 + 01 + 50 + 01 + 00 + 48 + 65 + 6C + 6C + 6F = 247$$

Now take the result of 0x247 and keep only the lowest 8 bits which in this example is 0xC4 (the two far right digits). Subtract 0x47 from 0xFF and you get 0x3B (0xFF - 0xC4 = 0x3B). 0x3B is the checksum for this data packet.

If an API data packet is composed with an incorrect checksum, the XBee Wi-Fi RF Module will consider the packet invalid and will ignore the data.

To verify the check sum of an API packet add all bytes including the checksum (do not include the delimiter and length) and if correct, the last two far right digits of the sum will equal FF.

$$01 + 01 + 50 + 01 + 00 + 48 + 65 + 6C + 6C + 6F + B8 = 2FF$$

API examples

Example: Create an API AT command frame to configure the device's baud rate to 230,400 (set **BD** to 0x08).

The frame should look like (in hex):

7E 00 05 08 01 42 44 08 68

Where:

- 0x0005 = length excluding checksum
- 0x08 = AT Command API frame type
- 0x01 = Frame ID (set to non-zero value for transmit status)
- 0x4244 = AT Command (**BD**)

- 0x08 = value to set command to
- 0x68 = Checksum

The checksum is calculated as $[0xFF - (0x08 + 0x01 + 0x42 + 0x44 + 0x08)]$

Example: Send a remote command to a device with the IP address 192.168.0.103 (C0 A8 00 67) to set DIO1/AD1 as a digital input (**D1=3**) and apply changes to force the IO update. The API remote command frame should look like (in hex):

```
7E 00 0E 07 01 00 00 00 00 C0 A8 01 64 02 44 31 03 B0
```

Where:

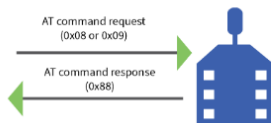
- 0x000E = length (14 bytes excluding checksum)
- 0x07 = Remote Command API frame type
- 0x01 = Frame ID
- 0x00000000 C0A80067 = Remote address (pad first 4 bytes with 00)
- 0x02 = Apply Changes (Remote Command Options)
- 0x4431 = AT command (**D1**)
- 0xB0 = Checksum

API serial exchanges

You can use the Frame ID field to assign an identifier to each outgoing API frame. This Frame ID, if non-zero, can correlate between the outgoing frames and the associated responses.

AT command frames

The following image shows the API frame exchange that takes place at the UART or SPI interface when sending an AT command request to read or set an XBee parameter. To disable the response, set the frame ID to 0 in the request.



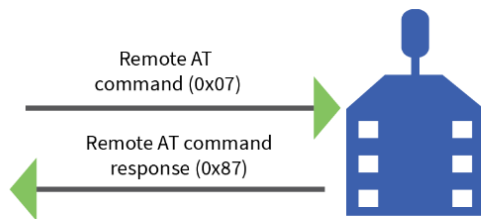
Transmit and receive RF data

The following image shows the API exchanges that take place at the serial interface when sending RF data to another device. The transmit status frame is always sent at the end of a data transmission unless the frame ID is set to 0 in the TX request. If the packet cannot be delivered to the destination, the transmit status frame indicates the cause of failure. The received data frame type (standard 0x90, or explicit 0x91) is set by the **AP** command.



Remote AT commands

The following image shows the API frame exchanges that take place at the serial interface when sending a remote AT command. A remote command response frame is not sent out the serial interface if the remote device does not receive the remote command.



API frames

The following sections describe the API frames.

TX (Transmit) Request: 64-bit - 0x00	108
Remote AT Command Request - 0x07	110
AT Command Frame - 0x08	112
Transmit Packet - 0x10	113
Explicit Transmit Packet - 0x11	115
Remote AT Command - 0x17	118
Transmit (TX) Request: IPv4 - 0x20	120
Send Data Request - 0x28	122
Device Response - 0x2A	124
Rx (Receive) Packet: 64-bit - 0x80	125
Remote Command Response - 0x87	127
AT Command Response frame - 0x88	129
Transmission Status frame - 0x89	130
Modem Status frame - 0x8A	132
TX Status frame - 0x8B	133
I/O Data Sample RX Indicator frame - 0x8F	135
Receive Packet frame 0x90	137
Explicit Receive Packet frame - 0x91	139
Remote AT Command Response frame - 0x97	141
RX (Receive) Packet: IPv4 - 0xB0	143
Send Data Response frame - 0xB8	145
Device Request frame - 0xB9	146
Device Response Status frame - 0xBA	147
Frame Error - 0xFE	148

TX (Transmit) Request: 64-bit - 0x00

Description

This frame type uses the XBee Application Service. This command allows for software compatibility with other XBee devices such as the XBee 802.15.4 RF Module.

Format

Frame data fields	Offset	Description
API frame identifier	3	0x00
Frame ID	4	
64-bit destination address	5-12	Align IP address to low 32-bits of the field. The other bytes set to 0 . IP address is in hex. The address in this example is 192.168.0.100 . For sending a broadcast, use 0xFF 0xFF 0xFF 0xFF . A MAC address may also be in the lower 6 bytes of this field. But if the MAC address does not match the device's own MAC address, then this field is interpreted as an IP address, as described above.
TX options	13	0x01 – Disable ACK. Set all other bits to 0.
Data	14	Max is 1392 bytes. Data is sent to the XBee application service port.

Example

Frame data fields	Offset	Description
Start delimiter	0	0x7E
Length	MSB 1	0x00
	LSB 2	0x0D
API frame identifier	3	0x00
Frame ID	4	0x01

Frame data fields	Offset	Description
64-bit destination address	5	0x00
	6	0x00
	7	0x00
	8	0x00
	9	0xC0
	10	0xA8
	11	0x00
	12	0x64
TX options	13	0x00
Data	14	0x1516
Checksum		0x07

Remote AT Command Request - 0x07

Description

Used to query or set parameters on a remote device. For parameter changes on the remote device to take effect, changes must be applied, either by setting the apply changes options bit, or by sending an **AC** command to the remote.

Format

Frame data fields	Offset	Description
API frame identifier	3	
Frame ID	4	
64-bit destination address	5	Align IP address to low 32-bits of the field. Set the other bytes to 0 . The IP address is in hex.
	6	
	7	A MAC address may also be in the lower 6 bytes of this field. But if the MAC address does not match the device's own MAC address, then this field is interpreted as an IP address, as described above.
	8	
	9	
	10	
	11	
12		
Command options	13	0x02 – Apply changes on the remote. If not set, then the AC command must be sent or the last remote command sent must set this option.
AT command	MSB 14	Command name: two ASCII characters that identify the AT command.
	LSB 15	
Parameter value	-	If present, indicates the requested parameter value to set the given register. If no characters are present, the register is queried.

Example

Send a remote command to query the **DL** register on a remote device. In this example, the IP address of the remote is **192.168.0.100**.

Frame data fields	Offset	Description
Start delimiter	0	0x7E
Length	MSB 1	0x00
	LSB 2	0x0D
API frame identifier	3	0x07
Frame ID	4	0x01
64-bit destination address	5	0x00
	6	0x00
	7	0x00
	8	0x00
	9	0xC0
	10	0xA8
	11	0x00
12	0x64	
Command options	13	0x02
AT command	MSB 14	0x44 (D)
	LSB 15	0x4C (L)
Parameter value	--	--
Checksum	16	0x99

AT Command Frame - 0x08

Description

Use this frame to query or set device parameters on the local device. This API command applies changes after running the command. You can query parameter values by sending the 0x08 AT Command frame with no parameter value field (the two-byte AT command is immediately followed by the frame checksum).

Format

The following table provides the contents of the frame.

Frame data fields	Offset	Description
Frame type	3	0x08
Frame ID	4	
AT command	5-6	Command name: two ASCII characters that identify the AT command.
Parameter value	7-n	If present, indicates the requested parameter value to set the given register. If no characters are present, it queries the register.

Example

The following example illustrates an AT Command frame when you modify the device's **NI** parameter value.

Frame data fields	Offset	Example
Start delimiter	0	0x7E
Length	MSB 1	0x00
	LSB 2	0x05
Frame type	3	0x08
Frame ID	4	0x01
AT command	5	0x4E (N)
	6	0x49 (I)
Parameter value	7	-
Checksum	8	0x5E

Transmit Packet - 0x10

Description

This frame type is only provided for software compatibility with other XBee devices. We recommend [Transmit \(TX\) Request: IPv4 - 0x20](#) for data transmissions from this device.

Format

The following table provides the contents of the frame.

Frame data fields	Offset	Description
Frame type	3	0x10
Frame ID	4	Correlates request with a later TX STATUS frame (0x8B). If set to 0 , the device does not send a response.
64-bit source address	5-12	Align the IP address to the low 32-bits of the field. Set the other bytes to 0 . The IP address is in hex. A MAC address may also be in the lower 6 bytes of this field. But if the MAC address does not match the device's own MAC address, then this field is interpreted as an IP address, as described above.
Reserved	13-15	Unused placeholders.
Options	16	0x01 – Disable ACK. Set all other bits to 0.
RF data	17-n	Up to 1392 bytes of data.

Example

The example uses **192.168.0.130** for the 64-bit source address.

Frame data fields	Offset	Example
Start delimiter	0	0x7E
Length	MSB 1	0x00
	LSB 2	0x13
Frame type	3	0x10
Frame ID	4	0x01

Frame data fields	Offset	Example
64-bit source address	5	0x00
	6	0x00
	7	0x00
	8	0x00
	9	0xC0
	10	0xA8
	11	0x01
	12	0x82
Reserved	13	0xFF
	14	0xFE
	15	0x00
Options	16	0x00
RF data	17	0x48 (H)
	18	0x65 (e)
	19	0x6C (l)
	20	0x6C (l)
	21	0x6F (o)
Checksum	22	0x12

Explicit Transmit Packet - 0x11

Description

This frame type is only provided for software compatibility with other XBee devices and for sending GPM requests. If neither of these is required, then we recommend [Transmit \(TX\) Request: IPv4 - 0x20](#) for data transmissions from this device.

Format

The following table provides the contents of the frame.

Frame data fields	Offset	Description
Frame type	3	0x11
Frame ID	4	Correlates request with a later TX STATUS frame (0x8B). If set to 0 , the device does not send a TX STATUS frame.
64-bit source address	5	Align the IP address to the low 32-bits of the field. Set the other bytes to 0 . The IP address is in hex. A MAC address may also be in the lower 6 bytes of this field. But if the MAC address does not match the device's own MAC address, then this field is interpreted as an IP address, as described above.
	6	
	7	
	8	
	9	
	10	
	11	
Reserved	12	Unused placeholders
	13	
	14	
Destination endpoint	15	Unused placeholders
	16	
Cluster ID	17	Memory Access Cluster ID
	18	
Reserved	19	Unused placeholders
	20	
	21	

Frame data fields	Offset	Description
Options	22	0x01 - Disable ACK Set all other bits to 0 .
RF data	23	Up to 1392 bytes of data.
	24	
	25	
	26	
	27	
	28	
	29	
	30	

Example

The example uses **192.168.1.130** for the 64-bit source address.

Frame data fields	Offset	Example
Start delimiter	0	0x7E
Length	MSB 1	0x00
	LSB 2	0x1C
API frame identifier	3	0x11
Frame ID	4	0x01
64-bit source address	5	0x00
	6	0x00
64-bit source address	7	0x00
	8	0x00
	9	0xC0
	10	0xA8
	11	0x01
	12	0x82
Reserved	13	0xFF
	14	0xFE
	15	0xE6

Frame data fields	Offset	Example
Destination endpoint	16	0xE6
Cluster ID	17	0x00
	18	0x23
Reserved	19	0xC1
	20	0x05
	21	0x00
Options	22	0x00
RF data	23	0x00
	24	0x00
	25	0x00
	26	0x00
	27	0x00
	28	0x00
	29	0x00
	30	0x00
Checksum	31	0x50

Remote AT Command - 0x17

Description

This frame type is only provided for software compatibility with other XBee devices. We recommend [Remote AT Command Request - 0x07](#) for sending remote commands from this device.

Format

The following table provides the contents of the frame.

Frame data fields	Offset	Description
Frame type	3	0x17
Frame ID	4	
64-bit source address	5	Align the IP address to the low 32-bits of the field. Set the other bytes to 0 . The IP address is in hex.
	6	
	7	
	8	
	9	
	10	
	11	
	12	
	Reserved	
14		
Command options	15	0x02 – Apply changes on remote. If not set, then you must send the AC command or the last remote command sent must set this option.
AT command	16	Two ASCII characters representing the command name (DL in the example below).
	17	
Parameter value	18	Sets DL to 192.168.1.140 in the example below. The parameter value field does not exist on a query.
	19	
	20	
	21	

Example

The example uses **192.168.1.130** for the 64-bit source address.

Frame data fields	Offset	Example
Start delimiter	0	0x7E
Length	MSB 1	0x00
	LSB 2	0x13
API frame identifier	3	0x17
Frame ID	4	0x01
64-bit source address	5	0x00
	6	0x00
	7	0x00
	8	0x00
	9	0xC0
	10	0xA8
	11	0x01
	12	0x82
Reserved	13	0xFF
	14	0xFE
Command options	15	0x02
AT command	16	0x44 (D)
	17	0x4C (L)
Parameter value	18	0xC0
	19	0xA8
	20	0x01
	21	0x8C
Checksum	22	0x78

Transmit (TX) Request: IPv4 - 0x20

Description

This frame uses the serial data service. The frame gives greater control to the application over the IP setting for the data.

Format

The following table provides the contents of the frame. For details on frame structure, see [API frame format](#).

Frame data fields	Offset	Description
Frame type	3	0x20
Frame ID	4	Set to a value that will be passed back in the Tx Status frame. 0 disables the Tx Status frame.
IPv4 32-bit destination address	MSB 5	Use 0xFFFFFFFF for broadcast when the protocol is UDP.
	6	
	7	
	8	
16-bit destination port	MSB 9	UDP or TCP port number
	LSB 10	
16-bit source port	MSB 11	UDP or TCP port number To send a UDP packet, this must match the port number of the listening port as specified by C0 .
	LSB 12	To send a TCP packet on a new connection, this must be 0 .
Protocol	13	Protocol use for the transmitted data: 0 = UDP 1 = TCP
Transmit options bitfield	14	Bit fields are offset 0 Bit field 0 - 7. Bits 0, and 2-7 are reserved, bit 1 is not. BIT 1 = 1 - Terminate the socket after transmission is complete 0 - Leave the socket open (use TCP timeout) Ignore this bit for UDP packets. All other bits are reserved and should be 0 .

Frame data fields	Offset	Description
RF data	15	Up to 1400 bytes of data. This is 8 bytes more than the maximum size reported by NP because it does not require an application header.
	16	
	17	
	18	
	19	

Example

The example uses **192.168.0.100** for the IPv4 32-bit destination address.

Frame data fields	Offset	Example
Start delimiter	0	0x7E
Length	MSB 1	0x00
	LSB 2	0x11
API frame identifier	3	0x20
Frame ID	4	0x01
IPv4 32-bit destination address	MSB 5	0xC0
	6	0xA8
	7	0x00
	8	0x64
16-bit destination port	MSB 9	0x26
	LSB 10	0x16
16-bit source port	MSB 11	0x26
	LSB 12	0x16
Protocol	13	0x00
Transmit options bitfield	14	0x00
RF data	15	0x48 (H)
	16	0x65 (e)
	17	0x6C (l)
	18	0x6C (l)
	19	0x6F (o)
Checksum	20	0xA6

Send Data Request - 0x28

Description

Send a file of the given name and type to Remote Manager.

Format

The following table provides the contents of the frame.

Frame data fields	Offset	Description
Frame type	3	0x28.
Frame ID	4	Identifies the frame for send data response. If 0 , then no send data response status will be received.
Path length	5	Length of path and file name.
Path	6-13	Path and file name.
Content type length	14	Length of target string (up to 16 bytes).
Content type	15-24	Indicates file type, such as text/plain, text/xml, or application/json.
Transport	25	Must be 0 to indicate TCP.
Options	26	0—overwrite 1—archive 2—append 3—transient data (do not store)
Data	27-53	

Example

Frame data fields	Offset	Example
Start	0	0x7E
Length	1-2	0x0033
Frame type	3	0x28
Frame ID	4	0x55
Path length	5	0x08
Path	6-13	TestFile
Content type length	14	0x0A

Frame data fields	Offset	Example
Content type	15-24	Text/plain
Transport	25	0x00
Options	26	0x00
Data	27-53	abcdefghij klmnopqr stuvwxyz
Checksum	54	0x49

Device Response - 0x2A

Description

This frame type is sent to the serial port by the host in response to the device request (0xB9). It should be sent within five seconds to avoid a timeout error.

Format

The following table provides the contents of the frame.

Frame data fields	Offset	Description
Frame type	3	0x2A
Frame ID	4	Identifies the frame for the device response status. If 0 , then no device response status is received.
Device request ID	5	This number should match the device request ID in the device request. Otherwise, an error occurs. If Device Request ID was 0 in the 0xB9 frame, then this Device Response (0x2A) frame is not expected from the serial port.
Reserved	6	Must be 0 for now.
Data	7-11	The particular data for the device response is application dependent.

Example

Frame data fields	Offset	Example
Start Delimiter	0	0x7E
Length	1-2	0x0009
Frame type	3	0x2A
Frame ID	4	0x01
Device request ID	5	0x00
Reserved	6	0x00
Data	7-11	Hello
Checksum	12	0xE0

Rx (Receive) Packet: 64-bit - 0x80

Description

This frame type is only provided for software compatibility with other XBee devices. We recommend for data transmissions from this device.

Format

The following table provides the contents of the frame.

Frame data fields	Offset	Description
Frame type	3	0x80
64-bit source address	4	Align IP address to low 32-bits of the field. Set the other bytes to 0 . The IP address is in hex.
	5	
	6	
	7	
	8	
	9	
	10	
	11	
RSSI	12	RSSI in terms of dB above sensitivity (link margin).
Options	13	None currently defined.
RF data	14	Up to 1392 bytes of data.
	15	
	16	
	17	
	18	

Example

The example uses address **192.168.0.103**.

Frame data fields	Offset	Example
Start delimiter	0	0x7E
Length	MSB 1	0x00

Frame data fields	Offset	Example
Frame type	3	0x80
64-bit source address	4	0x00
	5	0x00
	6	0x00
	7	0x00
	8	0xC0
	9	0xA8
	10	0x00
	11	0x67
RSSI	12	0x2E
Options	13	0x00
RF data	14	0x48 (H)
	15	0x65 (e)
	16	0x6C (l)
	17	0x6C (l)
	18	0x6F (o)
Checksum	19	0x8E

Remote Command Response - 0x87

Description

If a device receives a remote command response RF data frame in response to a Remote AT Command Request, it sends a Remote AT Command Response message out the UART or SPI.

Format

The following table provides the contents of the frame.

Frame data fields	Offset	Description
Frame type	3	0x87
Frame ID	4	
64-bit responder address	5	Align IP address to low 32-bits of the field. Set the other bytes to 0 . The IP address is in hex.
	6	
	7	
	8	
	9	
	10	
	11	
	12	
AT command	MSB 13	Command Name - two ASCII characters that identify the AT command.
	LSB 14	
Status	15	0 = OK 1 = ERROR 2 = Invalid command 3 = Invalid parameter 4 = Tx failure
Parameter value		If present, indicates value of the requested parameter. If not present, this is not a response to a query command.

Example

In this example the IP address is **192.168.0.103**.

Frame data fields	Offset	Example
Start delimiter	0	0x7E
Length	MSB 1	0x00
	LSB 2	0x0D
API frame identifier	3	0x87
Frame ID	4	0x01
64-bit responder address	5	0x00
	6	0x00
	7	0x00
	8	0x00
	9	0xC0
	10	0xA8
	11	0x00
	12	0x67
AT command	MSB 13	0x44 (D)
	LSB 14	0x31 (1)
Status	15	0x00
Parameter value		-
Checksum	16	0x33

AT Command Response frame - 0x88

Description

A device sends this frame in response to an AT Command message. Some commands send back multiple frames (for example, the **AS** (Active Scan) command).

Format

The following table provides the contents of the frame.

Frame data fields	Offset	Description
Frame type	3	0x88
Frame ID	4	
AT command	5-6	Command name: two ASCII characters that identify the command.
Command status		0 = OK 1 = ERROR 2 = Invalid command 3 = Invalid parameter
Parameter value	7	The register data in binary format. If the host sets the register, the device does not return this field.

Example

If you change the **BD** parameter on a local device with a frame ID of 0x01, and the parameter is valid, the user receives the following response.

Frame data fields	Offset	Example
Start delimiter	0	0x7E
Length	MSB 1	0x00
	LSB 2	0x05
Frame type	3	0x88
Frame ID	4	0x01
AT command	5	0x42 (B)
	6	0x44 (D)
Command status	7	0x00
Command data		
Checksum	8	0xF0

Transmission Status frame - 0x89

Description

The XBee Wi-Fi RF Module sends RF transmission status messages in response to transmission attempts.

Format

The following table provides the contents of the frame.

Frame data fields	Offset	Description
Frame type	3	0x89
Frame ID	4	Identifies the frame for which status is being reported. This number corresponds with the Frame ID provided in the transmission. If that frame ID was 0 , then this frame is not generated.
Status	5	0x00 = Success. 0x03 = Transmission was purged because it was attempted before stack was completely up. 0x04 = Physical error occurred on the interface with the Wi-Fi transceiver. 0x21 = TX64 transmission timed out awaiting an acknowledgment from the remote device. 0x32 = Resource Error. Either buffers or sockets were depleted, preventing a transmission from occurring. 0x74 = Message not sent because it was too long. 0x76 = Attempt to create a client socket failed. 0x77 = TCP connection to given IP address and port does not exist. Source port is non-zero so that a new connection is not attempted. 0x78 = Source port on a UDP transmission does not match a listening port on the transmitting device.

Example

The following API frame is returned when a successful transmission occurs on an API transmission using frame ID 01.

Frame data fields	Offset	Example
Start delimiter	0	0x7E
Length	MSB 1	0x00
	LSB 2	0x03
Frame type	3	0x89

Frame data fields	Offset	Example
Frame ID	4	0x01
Status	5	0x00
Checksum	6	0x75

Modem Status frame - 0x8A

Description

Devices send the status messages in this frame in response to specific conditions.

Format

The following table provides the contents of the frame.

Frame data fields	Offset	Description
Frame type	3	0x8A
Status	4	0 = Hardware reset or power up 1 = Watchdog timer reset 2 = Joined 3 = No longer joined to access point 0x0E = Remote Manager connected 0x0F = Remote Manager disconnected

Example

The XBee Wi-Fi RF Module returns the following API frame when it is powered on in API mode.

Frame data fields	Offset	Example
Start delimiter	0	0x7E
Length	MSB 1	0x00
LSB 2	LSB 2	0x02
Frame type	3	0x8A
Status	4	0x00
Checksum	5	0x75

TX Status frame - 0x8B

Description

This frame type is only provided for software compatibility with other XBee devices. Frame type 0x89 is normally sent in response to transmissions. This frame type is sent in response to [Transmit Packet - 0x10](#) and [Explicit Transmit Packet - 0x11](#) transmissions.

Format

Frame data fields	Offset	Description
Frame type	3	0x8B
Frame ID	4	Frame ID of the correlating transmission.
Reserved	5 - 7	Hard coded values can be ignored.
Delivery status	8	0x00 = Success. 0x03 = Transmission was purged because it was attempted before stack was completely up. 0x04 = Physical error occurred on the interface with the Wi-Fi transceiver. 0x21 = Transmission timed out awaiting an acknowledgment from the remote device. 0x32 = Resource Error; Either buffers or sockets were depleted, preventing a transmission from occurring. 0x74 = Message not sent because it was too long. 0x76 = Attempt to create a client socket failed.
Reserved	9	Hard coded value can be ignored.

Example

Frame Fields	Offset	Example
Start delimiter	0	0x7E
Length	MSB 1	0x00
	LSB 2	0x07
Frame type	3	0x8B
Frame ID	4	0x01
Reserved	5	0xFF
	6	0xFE
	7	0x00

Frame Fields	Offset	Example
Status	8	0x00
Reserved	9	0x00
Checksum	10	0x76

I/O Data Sample RX Indicator frame - 0x8F

Description

When the XBee Wi-Fi RF Module receives an I/O sample frame from a remote device, it sends the sample out the UART or SPI using this frame type. Only devices running API mode are able to receive I/O samples.

Format

Frame fields	Offset	Description
Frame type	3	0x8F
64-bit source address	4 - 11	Align IP address to low 32-bits of the field. Set the other bytes to 0 . The IP address is in hex. The example below uses address 192.168.0.103 .
RSSI in terms of link margin	12	
Receive options	13	None currently defined.
Number of samples	14	Number of sample sets included in the payload. Always set to 1 .
Digital Channel Mask (see below)	MSB 15 LSB 16	Bitmask field that indicates which digital I/O lines on the remote have sampling enabled (if any). In the example below, DIO8 is active.
Analog Channel Mask (see below)	17	Bitmask field that indicates which analog I/O lines on the remote have sampling enabled (if any). The most significant bit signals that the Vcc value are included in the frame. In the example below, Analog input 1 and Vcc are active.
Digital Samples (if included)	MSB 18 LSB 19	If the sample set includes any digital I/O lines (Digital Channel Mask > 0), these two bytes contain samples for all enabled digital I/O lines. DIO lines that do not have sampling enabled return 0 . The bits in these 2 bytes map the same as they do in the Digital Channels Mask field. In the example below, DIO8 has value 0 .
Analog Sample	MSB 20 LSB 21	If the sample set includes any analog input lines (Analog Channel Mask > 0), each enabled analog input returns a 2-byte value indicating the A/D measurement of that input. Analog samples are ordered sequentially from DIO0/AD0 to DIO3/AD3.

Digital Channel bitmask

N/A	N/A	N/A	CD/DIO12	PWM/DIO11	RSSI/DIO10	N/A	N/A
CTS/DIO7	RTS/DIO6	ASSOC/DIO5	DIO4	AD3/DIO3	AD2/DIO2	AD1/DIO1	AD0/DIO0

Analog Channel bitmask

Supply voltage	N/A	N/A	N/A	AD3	AD2	AD1	AD0
----------------	-----	-----	-----	-----	-----	-----	-----

Example

The following is the IO sample response from a device at IP address **192.168.0.103** reporting one active DIO (DIO8) and one active analog input (AN1).

Frame fields	Offset	Example
Start delimiter	0	0x7E
Length	MSB 1	0x00
	LSB 2	0x13
API frame identifier	3	0x8F
64-bit source address	4	0x00
	5	0x00
	6	0x00
	7	0x00
	8	0xC0
	9	0xA8
	10	0x00
	11	0x67
RSSI in terms of link margin	12	0x2E
Receive options	13	0x00
Number of samples	14	0x01
Digital Channel Mask	MSB 15	0x01
	LSB 16	0x00
Analog Channel Mask	17	0x81
Digital Samples (if included)	MSB 18	0x00
	LSB 19	0x00
Analog Sample	MSB 20	0x03
	LSB 21	0xB5
Checksum	22	0x38

Receive Packet frame 0x90

Description

The XBee Wi-Fi RF Module uses this frame when it receives RF data using the XBee application service and **AO** = 0. It is not generally used, but it allows for software compatibility with other XBee devices if desired.

Format

Frame data fields	Offset	Description
Frame type	3	0x90
64-bit source address	4-11	Align the IP address to low 32-bits of the field. Set the other bytes to 0 . The IP address is in hex.
Reserved	12-13	Unused placeholder.
Options	14	Bit 1: Broadcast packet.
RF data	15-n	Up to 1392 bytes of data.

Example

In the following example, a device with a 64-bit address of 0x0013A200 40522BAA sends a unicast data transmission to a remote device with payload RxData. If **AO**=0 on the receiving device, it sends the following frame out its serial interface.

Frame data fields	Offset	Example
Start delimiter	0	0x7E
Length	MSB 1	0x00
	LSB 2	0x11
Frame type	3	0x90

Frame data fields	Offset	Example
64-bit source address	4	0x00
	5	0x00
	6	0x00
	7	0x00
	8	0xC0
	9	0xA8
	10	0x00
	11	0x67
16-bit source network address	12	0xFF
	13	0xFE
Options	14	0x00
RF data	15	0x48 (H)
	16	0x65 (e)
	17	0x6C (l)
	18	0x6C (l)
	19	0x6F (o)
Checksum	20	0xAF

Explicit Receive Packet frame - 0x91

Description

The XBee Wi-Fi RF Module uses this frame type when it receives RF data using the XBee application service and **AO** = 0. Even when **AO** is not **1**, this frame is also used for GPM response frames, see [Sleep modes](#).

Format

Frame data fields	Offset	Example
Frame type	3	0x91
64-bit source address	4-11	Align the IP address to low 32-bits of the field. The other bytes are set to 0 . The IP address is in hex. The example below uses address 192.168.0.103 .
Reserved	12-13	Unused placeholders.
Source endpoint	14	Digi device object endpoint.
Destination endpoint	15	Digi device object endpoint.
Cluster ID	16	Memory access cluster ID.
	17	
Profile ID	18	Digi profile ID.
	19	
Option	20	
RF data	21	Response to platform info request, indicating 160 GPM blocks available. Each block size is 4096 bytes.
	22	
	23	
	24	
	25	
	26	
	27	

Example

This example uses address **192.168.0.103**.

Frame data fields	Offset	Description
Start delimiter	0	0x7E
Length	MSB 1	0x00
	LSB 2	0x19
Frame type	3	0x91
64-bit source address	4	0x00
	5	0x00
	6	0x00
	7	0x00
	8	0xC0
	9	0xA8
	10	0x00
	11	0x67
Reserved	12	0xFF
	13	0xFE
Source endpoint	14	0xE6
Destination endpoint	15	0xE6
Cluster ID	16	0x00
	17	0x23
Profile ID	18	0xC1
	19	0x05
Option	20	0x00
RF data	21	0x80
	22	0x00
	23	0xA0
	24	0x10
	25	0x00
	26	0x00
	27	0x00
Checksum	28	0xBD

Remote AT Command Response frame - 0x97

Description

This frame type is only provided for software compatibility with other XBee devices. It generates a response to the [Remote AT Command - 0x17](#) frame. Normally, customer use [Remote AT Command Request - 0x07](#) instead with [Remote Command Response - 0x87](#).

Format

Frame data fields	Offset	Description
Frame type	3	0x97
Frame ID	4	
64-bit source (remote) address	5-12	The address of the remote device returning this response. Align the IP address to the low 32-bits of the field. Set the other bytes to 0 . The Value is in hex. In the example below, the IP address is 192.168.0.103 .
Reserved	13-14	Unused placeholder.
AT command	15-16	The name of the command.
Command status	17	0 = OK 1 = ERROR 2 = Invalid command 3 = Invalid parameter
Command data	18-n	If present, indicates the value of the requested parameter value. If not present, this is not a response to a query command.

Example

In the example below, the IP address is **192.168.0.103**.

Frame data fields	Offset	Example
Start delimiter	0	0x7E
Length	MSB 1	0x00
	LSB 2	0x0F
Frame type	3	0x97
Frame ID	4	0x01

Frame data fields	Offset	Example
64-bit source (remote) address	5	0x00
	6	0x00
	7	0x00
	8	0x00
	9	0xC0
	10	0xA8
	11	0x00
	12	0x67
Reserved	13	0xFF
	14	0xFE
AT commands	15	0x44 (D)
	16	0x4C (L)
Command status	17	0x00
Checksum	18	0x0B

RX (Receive) Packet: IPv4 - 0xB0

Description

This frame is used by the XBee Wi-Fi RF Module it receives RF data using the Serial Data service on the port defined by [C0 \(Serial Communication Service Port\)](#).

Format

The following table provides the contents of the frame. For details on frame structure, see [API frame format](#).

Frame data fields	Offset	Description
Frame type	3	0xB0
IPv4 32-bit source address	MSB 4	The address in the example below is for a source address of 192.168.0.104 .
	5	
	6	
	7	
16-bit destination port	MSB 8	Same value as the C0 command.
	LSB 9	
16-bit source port	MSB 10	
	LSB 11	
Protocol	MSB 12	0 = UDP 1 = TCP - Protocol use for the transmitted data
Status	13	Reserved
RF data	14	Up to 1400 bytes of data. This is 8 bytes more than the max size reported by the NP command because no application header is needed.
	15	
	16	
	17	
	18	

Example

When a device in API mode receives an IPv4 transmission, it produces an RX notification (0xB0) and sends it out the UART or SPI port. This example is the response to a UDP transmission to IP address **192.168.0.103** with data **Hello** from the source address **192.168.0.104**.

Frame data fields	Offset	Example
Start delimiter	0	0x7E
Length	MSB 1	0x00
Frame type	3	0xB0
IPv4 32-bit source address	MSB 4	0xC0
	5	0xA8
	6	0x00
	7	0x68
16-bit destination port	MSB 8	0x26
	LSB 9	0x16
16-bit source port	MSB 10	0x26
	LSB 11	0x16
Protocol	MSB 12	0x00
Status	13	0x00
RF data	14	0x48 (H)
	15	0x65 (e)
	16	0x6C (l)
	17	0x6C (l)
	18	0x6F (o)
Checksum	19	0x13

Send Data Response frame - 0xB8

Description

This frame type is sent out the serial port in response to [Send Data Request - 0x28](#), providing its frame ID is non-zero.

Format

The following table provides the contents of the frame.

Frame data fields	Offset	Description
Frame type	3	0xB8
Frame ID	4	Identifies the frame ID of the corresponding send data request.
Status	5	0x00 = Success 0x01 = Bad request 0x02 = Response unavailable 0x03 = Remote Manager Error 0x40 = Unknown error

Example

Frame data fields	Offset	Example
Start delimiter	0	0x7E
Length	1-2	0x0003
Frame type	3	0xB8
Frame ID	4	0x55
Status	5	0x00
Checksum	6	0xF2

Device Request frame - 0xB9

Description

This frame type is sent out the serial port when the XBee Wi-Fi RF Module receives a valid device request from Remote Manager.

Format

The following table provides the contents of the frame.

Frame data fields	Offset	Description
Frame type	3	0xB9
Device request ID	4	Identifies the device request. (If 0, then no response is required.)
Transport	5	Placeholders. Values can be ignored.
Flags	6	
Target length	7	Length of target string
Target string	8-15	String required by the host side, e.g. a file name.
Data	16-40	

Example

Frame data fields	Offset	Example
Start	0	0x7E
Length	1-2	0x0026
Frame type	3	0xB9
Device request ID	4	0x01
Transport	5	0x00
Flags	6	0x00
Target length	7	0x08
Target string	8-15	myTarget
Data	16-40	A message for serial host
Checksum	41	0xC6

Device Response Status frame - 0xBA

Description

This frame type is sent to the serial port after the serial port sends a [Device Response - 0x2A](#).

Format

The following table provides the contents of the frame.

Frame data fields	Offset	Description
Frame type	3	0xBA
Frame ID	4	Identifies the frame for which status is being reported. Corresponds to the frame ID in the device response.
Status	5	0x00 = Success 0x20 = Device Request canceled by user 0x21 = Session timed out 0x40 = Unknown Error

Example

Frame data fields	Offset	Example
Start delimiter	0	0x7E
Length	1-2	0x0003
Frame type	3	0xBA
Frame ID	4	0x01
Status	5	0x00
Checksum	6	0x44

Frame Error - 0xFE

Description

This frame is sent to the serial port for any type of frame error.

Note This frame may be sent out the serial port in addition to a [Device Response - 0x2A](#).

Format

The following table provides the contents of the frame.

Frame data fields	Offset	Description
Frame type	3	0xFE
Status	4	0x02 = Invalid frame type. 0x03 = Invalid frame length. 0x04 = Erroneous Checksum on last frame. 0x05 = payload of last API frame was too big to fit into a buffer. 0x06 = string entry was too big on last API frame sent. 0x07 = Wrong state to receive frame (for example, a device response was sent out without first receiving a device request). 0x08 = Device request ID of device response didn't match the number in the request.

Example

Frame data fields	Offset	Example
Start delimiter	0	0x7E
Length	MSB 1	0x00
	LSB 2	0x02
Frame type	3	0xFE
Status	4	0x07
Checksum	6	0xFA

AT commands

MAC/PHY commands	150
Network commands	152
Addressing commands	155
Serial interfacing commands	160
I/O settings commands	162
I/O sampling commands	174
Output Control	176
Sleep commands	181
Command mode options	183
Diagnostics interfacing	184
Execution commands	185

MAC/PHY commands

The following AT commands are MAC/PHY commands.

AI (Association Indication)

Read information regarding last node join request.

Status code	Meaning
0x00	Successfully joined an access point, established IP addresses and IP listening sockets.
0x01	Wi-Fi transceiver initialization in progress.
0x02	Wi-Fi transceiver initialized, but not yet scanning for access point.
0x13	Disconnecting from access point.
0x23	SSID not configured.
0x24	Encryption key invalid (either NULL or invalid length for WEP).
0x27	SSID was found, but join failed.
0x40	Waiting for WPA or WPA2 Authentication.
0x41	Device joined a network and is waiting for IP configuration to complete, which usually means it is waiting for a DHCP provided address.
0x42	Device is joined, IP is configured, and listening sockets are being set up.
0xFF	Device is currently scanning for the configured SSID.

Note New non-zero **AI** values may be added in later firmware versions. Applications should read **AI** until it returns 0x00, indicating a successful startup.

Parameter range

0 - 0xFF [read-only]

Default

N/A

DI (Remote Manager Indicator)

Displays the current Remote Manager status for the XBee Wi-Fi RF Module.

Parameter range

0 - 4

Value	Description
0	Remote Manager is connected

Value	Description
1	Initial state
2	Attempting to connect to Remote Manager
3	Disconnecting from Remote Manager
4	Remote Manager not configured

Default

N/A

CH (Channel)

Read the channel number of the access point or 0xFF if is not associated. You can set the channel when **AH** is configured for Ad hoc creator mode.

Note When using Ad hoc mode, not all channels are available in all countries. It is the responsibility of the installer to use the appropriate channels.

Parameter range

1 - 0xB

Default

[read-only]

LM (Link Margin)

Reads the received signal strength (RSSI) in terms of dB units above sensitivity and reports **0xFF** until the first reception after connection to access point.

Parameter range

0 - 0xFF

Default

N/A

PL (Power Level)

Sets or displays the power level at which the device transmits conducted power.

Parameter range

0 - 4

Parameter range	Default
0	0 dBm

Parameter range	Default
1	5 dBm
2	10 dBm
3	15 dBm
4	Maximum power. See Electrical specifications .

Default

4

Network commands

The following commands are network commands.

AH (Network Type)

Set or read the network type. The Network types supported are Infrastructure (using an access point) and Ad hoc (IBSS).

Parameter range

- 0 - IBSS Joiner
- 1 - IBSS Creator
- 2 - Infrastructure

Default

2

CE (Infrastructure Mode)

Selects AP mode (1) or STA mode (2). For more information, see [Enable Soft AP mode](#).

Parameter range

- 1 - Soft AP Mode
- 2 - STA Mode

Default

2

ID (SSID)

Set or read the SSID of the access point, which may be up to 31 ASCII characters.

Parameter range

- Up to 31 bytes of printable ASCII

Default

NULL

EE (Encryption Enable)

Set or read the encryption enable setting.

Parameter range

0 - 3

Parameter	Description
0	No security
1	WPA
2	WPA2
3	WEP

Default

0

PK command

The passphrase used for WEP, WPA and WPA2 security (the wi-fi password).

This command is write-only. **PK** cannot be read.

Note **PK** cannot include a comma. A comma is used to signify the start of the next command when sending multiple commands at a time when in command mode. A comma can be included when **PK** is set through an API frame.

Parameter Range

8-63 ASCII or 64 hexadigit characters for WPA and WPA2.

WEP keys can be either 40 bits or 104 bits. Enter 40-bit WEP keys with 5 ASCII characters or 10 hex characters.

Enter 104-bit WEP keys with 13 ASCII characters or 26 hex characters.

Default

N/A

IP (IP Protocol)Set or displays the protocol used for the serial communication service. This is the port used by the **C0** command.**Parameter range**

0, 1

Value	Description
0x0	UDP
0x1	TCP

Default

0x0

MA (IP Addressing Mode)

Sets or displays the IP addressing mode: DHCP or static.

Range

Value	Description
0	DHCP addressing mode.
1	Static addressing mode.

Default

0

TM (Timeout)

Set or displays the timeout for connection on TCP client sockets. If 0, socket closes immediately after data sent.

Parameter range

0 - 0xFFFF [x 100 ms]

Default

0x64

TS (TCP Server Socket Timeout)

Set or read the timeout for a connection on a TCP server socket. The connection for this socket was initiated at the other end.

Parameter Range

0x000A- 0xFFFF (x 100 ms)

Default

0x0258 (1 minute)

DO command

Sets or displays the device options.

Bit field:

Bit	Description
0	Enable Remote Manager.
1	Enable SoftAP when ID is NULL.
2	Enable sending transparent data to Remote Manager.
3	Send I/O samples to both Remote Manager and to DL if Remote Manager is enabled.
4	Send transparent data as binary data points rather than to a file.
5	Replace a Remote Manager file (1) rather than append to a file (0).
6, 7	Reserved. This should be 0.

Note In Transparent mode, if **DO** is 0x25 and over 1400 bytes are sent at once, the Remote Manager file is overwritten twice, losing the first 1400 bytes.

Parameter range

0x03F

Default

1

EQ (Remote Manager FQDN)

Sets or display the fully qualified domain name of the Remote Manager server.

Range

Valid fully qualified domain name (FQDN).
From 0 through 63 ASCII characters.

Default

devicecloud.digi.com

Addressing commands

The following AT commands are addressing commands.

SH command

Reads the high 16 bits of the device's unique 48-bit address.

Parameter range

0 - 0xFFFFFFFF [read-only]

Default

Set in the factory

SL command

Read the low 32 bits of the device's unique 48-bit address.

Parameter range

0 - 0xFFFFFFFF [read-only]

Default

Set in the factory

NS (DNS Address)

Sets or displays the address of the DNS server. When reading API mode, the format is binary. In all other cases (for example Command mode), the read format is dotted decimal notation.

Range

Valid IPv4 address in dotted decimal notation

Default

208.67.222.222 (address of openDNS)

LA (Lookup IP Address of FQDN)

Performs a DNS lookup of the given fully qualified domain name (FQDN) and outputs its IP address. When you issue **LA** in API mode, the IP address is formatted in binary four byte big-endian numeric value. In all other cases (for example, Command mode) the format is dotted decimal notation.

Range

Valid FQDN

From 0 through 63 ASCII characters

Default

-

DL command

Sets or displays the 32 bits of the IPv4 destination address. When setting, the format may be either dotted decimal (for example **192.168.0.100**) or binary (for example **C0A80064**). When reading in API mode, the format is binary. In all other cases (for example Command mode), the read format is dotted decimal notation.

Parameter range

0.0.0.0 – 255.255.255.255

Default

255.255.255.255

NI (Node Identifier)

Stores a string identifier. The register only accepts printable ASCII data. In Command mode, a string cannot start with a space. A carriage return ends the command. The command automatically ends

when maximum bytes for the string have been entered.

Parameter range

A string of case-sensitive ASCII printable characters from 0 to 20 bytes in length.

Default

One ASCII space character (0x20)

KP (Device Description)

Sets or displays a user-defined description for the XBee displayed in Remote Manager.

Range

Up to 20 ASCII characters

Default

One ASCII space character (0x20)

KC (Contact Information)

Sets or displays user-defined contact information for the XBee displayed in Remote Manager.

Range

Up to 20 ASCII characters

Default

One ASCII space character (0x20).

KL (Device Location)

Sets or displays a user-defined physical location for the XBee displayed in Remote Manager.

Range

Up to 20 ASCII characters

Default

One ASCII space character (0x20).

C0 (Serial Communication Service Port)

Set or get the port number used to provide the serial communication service. Data received by this port on the network is transmitted on the XBee Wi-Fi RF Module's serial port.

[IP \(IP Protocol\)](#) sets the protocol used when UART is in Transparent mode.

Parameter range

0 - 0xFFFF

Value	Description
0	Disabled
Non-0	Enabled on that port

Default

0x2616

DE (Destination port)

Sets or displays the destination UDP/TCP port value.

This command reads all input as hexadecimal. All values must be entered in hexadecimal with no leading 0x. For example, the destination port 9001 has the hexadecimal value of 0x2329. The command would be entered as **ATDE 2329**.

Parameter range

0x0 - 0xFFFF

Default

0x2616

GW command

GW applies to the gateway address.

This command is read-only when DHCP is enabled and it is read / write when using static IP addresses. When setting, the format may be either dotted decimal (for example **192.168.0.1**) or binary (for example **COA80001**). When reading in API mode, the format is binary. In all other cases (for example Command mode) the read format is dotted decimal notation.

Range

0.0.0.0 - 255.255.255.255.

Default

0.0.0.0

MK command

MK applies to the subnet mask.

This command is read-only when DHCP is enabled and it is read / write when using static IP addresses. When setting, the format may be either dotted decimal (for example **255.255.255.0**) or binary (for example **FFFFFF00**). When reading in API mode, the format is binary. In all other cases (for example Command mode) the read format is dotted decimal notation.

Range

0.0.0.0 - 255.255.255.255.

Default

0.0.0.0

MY command

Read the 32-bit network address of the device when using DHCP. Sets or displays values when using static IP address. When setting, the format may be either dotted decimal (for example **192.168.0.100**) or binary (for example **COA80064**). When reading in API mode, the format is binary. In all other cases (for example Command mode) the read format is dotted decimal notation.

Parameter range

0.0.0.0 – 255.255.255.255

Default

0.0.0.0

PG (Ping an IP Address)

Ping a given IP address and indicate the response time or an error indication on failure. Response is always a string.

Parameter range

Valid IPv4 address in either dotted decimal notation or binary format.

Default

-

DD command

Stores the Digi device type identifier value. Use this value to differentiate between multiple XBee devices.

If you change **DD**, **RE command** will not restore defaults. The only way to get **DD** back to default values is to explicitly set it to defaults.

Digi reserves the range 0 - 0xFFFFF.

Parameter range

0 - 0xFFFFFFF

Default

0x90000

NP (Maximum RF Payload Bytes)

Reads the maximum number of payload bytes that you can send in a unicast RF transmission based on the device's current configuration.

Note **NP** returns a hexadecimal value. For example, if **NP** returns 0x54, this is equivalent to 84 bytes.

The maximum payload is 8 bytes more than the value in the **NP** parameter when using the native IPv4 frames, because an application header does not precede the payload.

Parameter range

0 - 0xFFFF (bytes) [read-only]

Default

[read-only]

Serial interfacing commands

The following AT commands are serial interfacing commands.

BD (Baud Rate)

Sets or displays the serial interface baud rate for communication between the device's serial port and the host.

The device interprets any value above 0x0A as an actual baud rate. When a value above 0x0A is sent, the device stores the closest interface data rate represented by the number in the **BD** register.

Parameter range

Standard baud rates: 0x1 - 0x7

Value	Description
0x1	2,400 b/s
0x2	4,800 b/s
0x3	9,600 b/s
0x4	19,200 b/s
0x5	38,400 b/s
0x6	57,600 b/s
0x7	115,200 b/s
0x8	230,400 b/s
0x9	460,800 b/s
0xA	921,600 b/s
0X5B9 - 0X5B8D80	(non-standard rates up to 6 Mb/s)

Default

0x03 (9600 b/s)

NB (Serial Parity)

Set or read the serial parity settings on the device.

Parameter range

0x00 - 0x02

Parameter	Description
0x00	No parity
0x01	Even parity
0x02	Odd parity

Default

0x00

SB (Stop Bits)

Sets or displays the number of stop bits for the UART.

Parameter range

0 - 1

Value	Description
0	One (1) stop bit.
1	Two (2) stop bits.

Default

0

RO command

Set or read the number of character times of inter-character silence required before packetization.

RF transmission also starts after 100 bytes (maximum packet size) are received in the **DI** buffer.

Set **RO** to **0** to transmit characters as they arrive instead of buffering them into one RF packet.

Regardless of the **RO** size, the inter-character silence required to trigger a transmission of the data is 100 μ s.

Parameter range

0 - 0xFF (x character times)

Default

3

FT (Flow Control Threshold)

Set or display the flow control threshold.

The device de-asserts $\overline{\text{CTS}}$ when **FT** bytes are in the UART receive buffer.

Parameter range

0x11 - 0x823

Default

0x7F3

API Enable

Enables the frame-based application programming interface (API) mode.

Parameter range

0 - 2

Parameter	Description
0	Transparent mode
1	API-enabled
2	API-enabled (with escaped control characters)

Default

0

AO command

Displays the type of frame to output when receiving data on the IP services port.

Parameter range

0 - 2

Parameter	Description
0	Zigbee Rx
1	Explicit Zigbee Rx
2	RX64

Default

2

I/O settings commands

The following AT commands are I/O settings commands.

D0 (DIO0/AD0/ CB Configuration)

Sets or displays the DIO0/AD0/CB configuration (TH pin 20/SMT pin 33).

Parameter range

0 - 5

Parameter	Description
0	Disabled
1	Commissioning Button
2	Analog input
3	Digital input, monitored
4	Digital output, default low
5	Digital output, default high

Default

1

D1 (DIO1/AD1 Configuration)

Sets or displays the DIO1/AD1 configuration (TH pin 19/SMT pin 32).

Parameter range

0 - 5

Parameter	Description
0	Disabled
1	SPI_ATT \bar{N}
2	Analog input
3	Digital input, monitored
4	Digital output, default low
5	Digital output, default high

Default

1

D2 (DIO2/AD2 Configuration)

Sets or displays the DIO2/AD2 configuration (TH pin 18/SMT pin).

Parameter range

0 - 5

Parameter	Description
0	Disabled

Parameter	Description
1	SPI_CLK ¹
2	Analog input
3	Digital input, monitored
4	Digital output, default low
5	Digital output, default high

Default

0

D3 (DIO3/AD3 Configuration)

Sets or displays the DIO3/AD3 configuration (TH pin 17/SMT pin 30).

Parameter range

0 - 5

Parameter	Description
0	Disabled
1	SPI Slave Select ²
2	Analog input
3	Digital input, monitored
4	Digital output, default low
5	Digital output, default high

Default

0

D4 (DIO4/AD4 Configuration)

Sets or displays the DIO4/AD4 configuration (TH pin 11/SMT pin 24).

Parameter range

0 - 5

¹Indicates that the option is available on the TH device, but not the SMT device.

²Indicates that the option is available on the TH device, but not the SMT device.

Parameter	Description
0	Disabled
1	SPI Slave Select ¹
2	Analog input
3	Digital input, monitored
4	Digital output, default low
5	Digital output, default high

Default

0

D5 (DIO5 Configuration)

Sets or displays the DIO5 configuration (TH pin 15/SMT pin 28).

Parameter range

0, 1, 3 - 5

Parameter	Description
0	Disabled
1	Associated LED
3	Digital input
4	Digital output, default low
5	Digital output, default high

Default

1

D6 (DIO6 Configuration)

Sets or displays the DIO6/RTS configuration (TH pin 16/SMT pin 29).

Parameter range

0, 1, 3 - 5

Parameter	Description
0	Disabled

¹Indicates that the option is available on the TH device, but not the SMT device.

Parameter	Description
1	RTS flow control
2	N/A
3	Digital input
4	Digital output, low
5	Digital output, high

Default

0

D7 (DIO7 Configuration)Sets or displays the DIO7/ $\overline{\text{CTS}}$ configuration (TH pin 12/SMT pin 25).**Parameter range**

0, 1, 3 - 5

Parameter	Description
0	Disabled
1	$\overline{\text{CTS}}$ flow control
3	Digital input
4	Digital output, low
5	Digital output, high
6	RS-485 Tx enable (low enable)
7	RS-485 Tx enable (high enable)

Default

0x1

D8 (DIO8 Configuration)

Sets or displays the DIO8 configuration (TH pin 9/SMT pin 10).

Parameter range

0, 1, 3 - 5

Parameter	Description
0	Disabled
1	SleepRq

Parameter	Description
3	Digital input, monitored
4	Digital output, default low
5	Digital output, default high

Default

1

Sets or displays the DIO9 configuration (TH pin 13/SMT pin 26).

Parameter range

0, 1, 3 - 5

Parameter	Description
0	Disabled
1	ON/SLEEP indicator
3	Digital input, monitored
4	Digital output, default low
5	Digital output, default high

Default

1

P0 (DIO10 Configuration)

Sets or displays the PWM/DIO10 configuration (TH pin 6/SMT pin 7).

This command enables the option of translating incoming data to a PWM so that the output can be translated back into analog form.

Parameter range

0 - 5

Parameter	Description
0	Disabled
1	PWM RSSI output
2	PWM0 output
3	Digital input, monitored
4	Digital output, default low
5	Digital output, default high

Default

1

P1 (DIO11 Configuration)

Sets or displays the DIO11 configuration (TH pin 7/SMT pin 8).

Parameter range

0 - 5

Parameter	Description
0	Disabled
2	PWM1 Output
3	Digital input, monitored
4	Digital output, default low
5	Digital output, default high

Default

0

P2 (DIO12 Configuration)

Sets or displays the DIO10 configuration (TH pin 6/SMT pin 7).

Parameter range

0, 1, 3-6

Parameter	Description
0	Disabled
1	SPI_MISO ¹
3	Digital input, monitored
4	Digital output, default low
5	Digital output, default high
6	TCP connection indicator

Default

0

¹Indicates that the option is available on the TH device, but not the SMT device.

P3 (DOUT)

Enables or disables output on the UART port.

Parameter range

0, 1

Parameter	Description
0	Disabled
1	Enabled

Default

1

P4 DIN

Enables or disables input on UART port.

Parameter range

0 - 1

Parameter	Description
0	Disabled
1	Enabled

Default

1

P5 (DIO15 Configuration)

Sets or displays the DIO15 configuration (TH pin 4/SMT pin 17).

This only applies to surface-mount devices.

Parameter range

0, 1, 4, 5

Parameter	Description
0	Disabled
1	SPI_MISO
4	Digital output, default low
5	Digital output, default high

Default

1

P6 (DIO16 Configuration)

Sets or displays the DIO16/SPI_MOSI configuration (TH pin 11/SMT pin 16).
This only applies to surface-mount devices.

Parameter range

0, 1, 4, 5

Parameter	Description
0	Disabled
1	SPI_MOSI
4	Digital output, default low
5	Digital output, default high

Default

1

P7 (DIO17 Configuration)

Sets or displays the DIO17 configuration (TH pin 17/SMT pin 15).
This only applies to surface-mount devices.

Parameter range

0, 1, 4, 5

Parameter	Description
0	Disabled
1	SPI_SSEL
4	Digital output, default low
5	Digital output, default high

Default

1

P8 (DIO18 Configuration)

Sets or displays the DIO18/SPI_CLK configuration (TH pin 18/SMT pin 14).
This only applies to surface-mount devices.

Parameter range

0, 1, 4, 5

Parameter	Description
0	Disabled
1	SPI_CLK
4	Digital output, default low
5	Digital output, default high

Default

1

P9 (DIO19 Configuration)

Sets or displays the DIO19/SPI_ATT \bar{N} configuration (TH pin 13/SMT pin 12). This only applies to surface-mount devices.

Parameter range

0, 1, 4 - 6

Parameter	Description
0	Disabled
1	SPI_ATT \bar{N}
4	Digital output, default low
5	Digital output, default high
6	UART data present indicator

Default

1

PD (Pull Direction)

The resistor pull direction bit field (1 = pull-up, 0 = pull-down) for corresponding I/O lines that are set by the **PR** command.

If the bit is not set in **PR**, the device uses **PD**.

Note Resistors are not applied to disabled lines.

Parameter range

0x0 - 0x7FFF on TH, 0x0 - 0xFFFF on SMT

Default

0 - 0x7FFF on TH

0 - 0xFFFF on SMT

PR (Pull-up Resistor)

Sets or displays the bit field that configures the internal resistor status for the digital input lines. Internal pull-up/down resistors are not available for digital output pins, analog input pins, or for disabled pins.

Use the **PD** command to specify whether the resistor is pull-up or pull-down. If you set a **PR** bit to 1, it enables the pull-up resistor. If you set a **PR** bit to 0, it specifies no internal pull-up.

Bit	I/O line	Pin
0	DIO4	TH pin 11/SMT pin 24
1	DIO3/AD3	TH pin 17/SMT pin 30
2	DIO2/AD2	TH pin 18/SMT pin
3	DIO1/AD1	TH pin 19/SMT pin 32
4	DIO0/AD0	TH pin 20/SMT pin 33
5	DIO6/ $\overline{\text{RTS}}$	TH pin 16/SMT pin 29
6	DIO8/DTR/Sleep Request	TH pin 9/SMT pin 10
7	DIN/ $\overline{\text{CONFIG}}$	TH pin 3/SMT pin 4
8	DIO5/Associate	TH pin 15/SMT pin 28
9	DIO9/On/ $\overline{\text{SLEEP}}$	TH pin 13/SMT pin 26
10	DIO12	TH pin 4/SMT pin 5
11	DIO10/PWM RSSI/PWM0	TH pin 6/SMT pin 7
12	DIO11/PWM1	TH pin 7/SMT pin 8
13	DIO7 / $\overline{\text{CTS}}$	TH pin 12/SMT pin 25
14	DIO13/DOOUT	TH pin 2/SMT pin 3
15	DIO15	SMT pin 17
16	DIO16	SMT pin 16
17	DIO17	SMT pin 15
18	DIO18	SMT pin 14
19	DIO19	SMT pin 12

Parameter range

- 0 - 0x7FFF (TH)
- 0 - 0xFFFF (SMT)

Default

- 0 - 0x7FFF (TH)
- 0-0xFFFF (SMT)

DS (Drive Strength)

Set or read the output drive strength (output amperes) for DIO lines. Bits are mapped the same as the **PR** and **PD** commands. If you set the bit, the drive strength is 6 mA; otherwise, it is 2 mA.

Parameter range

0 – 0x7FFF on TH
0 – 0xFFFF on SMT

Default

0

M0 (PWM0 Duty Cycle)

Sets the duty cycle of PWM0 (TH pin 6/SMT pin 7) for **P0 = 2**, where a value of 0x200 is a 50% duty cycle.

Parameter range

0 - 0x3FF

Default

0

M1 (PWM1 Duty Cycle)

Sets the duty cycle of PWM1 for **P1 = 2**, where a value of 0x200 is a 50% duty cycle.

Parameter range

0 - 0x3FF

Default

0

LT command

Set or read the Associate LED blink time. If you use the **D5** command to enable the Associate LED functionality (DIO5/Associate pin), this value determines the on and off blink times for the LED when the device has joined the network.

If **LT = 0**, the device uses the default blink rate of 250 ms.

For all other **LT** values, the firmware measures **LT** in 10 ms increments.

Parameter range

0, 0x14 - 0xFF (200 - 2550 ms)

Default

0

RP (RSSI PWM Timer)

The PWM timer expiration in 0.1 seconds. **RP** sets the duration of pulse width modulation (PWM) signal output on the RSSI pin.

Parameter range

0 - 0xFF (x 100 ms)

Default

0x28 (four seconds)

IS command

Forces a read of all enabled digital and analog input lines. If no lines are enabled for digital or analog input, the command returns and error.

Parameter range

N/A

Default

N/A

I/O sampling commands

The following AT commands configure I/O sampling parameters.

AV (Analog Voltage Reference)

Set or read the analog voltage reference. This specifies the volts for an analog reading of 0X03FF, where a reading of 0x200 indicates a voltage input that is half of VREF. VREF may be one of the values in the following table.

Parameter range

0, 1

Parameter	Description
0	1.25 V reference
1	2.5 V reference

Default

1

IC (Digital Change Detection)

Set or read the digital I/O pins to monitor for changes in the I/O state.

IC works with the individual pin configuration commands (**D0 - D9, P0 - P2**). If you enable a pin as a digital I/O, you can use the **IC** command to force an immediate I/O sample transmission when the DIO state changes. **IC** is a bitmask that you can use to enable or disable edge detection on individual channels.

Set unused bits to 0.

Parameter range

0 - 0xFFFF

Default

0

IF (Sample from Sleep Rate)

Set or read the number of sleep cycles that must elapse between periodic I/O samples. This allows the firmware to take I/O samples only during some wake cycles. During those cycles, the firmware takes I/O samples at the rate specified by **IR**.

Parameter range

1 - 0xFF (1 gives you a sample every sleep cycle)

Default

1

IR (I/O Sample Rate)

Set or read the I/O sample rate to enable periodic sampling.

To enable periodic sampling, set **IR** to a non-zero value, and enable the analog or digital I/O functionality of at least one device pin (see [D0 \(DIO0/AD0/ CB Configuration\)](#)-[D8 \(DIO8 Configuration\)](#), [P0 \(DIO10 Configuration\)](#)-[P2 \(DIO12 Configuration\)](#)).

The sample rate is measured in milliseconds.



WARNING! If you set **IR** to 1 or 2, the device will not keep up and many samples will be lost.

Parameter range

0 - 0xFFFF (x 1 ms)

Default

0

TP command

Displays the temperature of the XBee Wi-Fi RF Module in degrees Celsius. The temperature value is displayed in 8-bit two's complement format. For example, **0x1A** = 26 °C, and **0xF6** = -10 °C.

Parameter range

-30 to 85 °C

Default

N/A

%V (Supply Voltage)

Displays the supply voltage of the device in mV units.

Parameter range

3.1 to 3.5 V

Default

N/A

Output Control

The following AT commands are output control commands.

OM (Output Mask)

Sets the output mask for the IO command. If you set a bit, the corresponding bit in the IO command is enabled. If it is clear, then that same bit has no effect in the IO command.

Parameter range

0 to 0x7FFF on through-hole

0 to 0xFFFFF on surface-mount

Default

0 to 0x7FFF on through-hole

0 to 0xFFFFF on surface-mount

T0 (Set time to hold DIO0)

Sets how long an output level programmed by bit 0 of the IO command is held in the selected state before reverting to its configured level. See [Output control](#) for a functional description.

Parameter range

0 - 0x1770 (x 100 ms)

Default

0

T1 (Set time to hold DIO1)

Sets how long an output level programmed by bit 1 of the IO command is held in the selected state before reverting to its configured level. See [Output control](#) for a functional description.

Parameter range

0 - 0x1770 (x 100 ms)

Default

0

T2 (Set time to hold DIO2)

Sets how long an output level programmed by bit 2 of the IO command is held in the selected state before reverting to its configured level. See [Output control](#) for a functional description.

Parameter range

0 - 0x1770 (x 100 ms)

Default

0

T3 (Set time to hold DIO3)

Sets how long an output level programmed by bit 3 of the IO command is held in the selected state before reverting to its configured level. See [Output control](#) for a functional description.

Parameter range

0 - 0x1770 (x 100 ms)

Default

0

T4 (Set time to hold DIO4)

Sets how long an output level programmed by bit 4 of the IO command is held in the selected state before reverting to its configured level. See [Output control](#) for a functional description.

Parameter range

0 - 0x1770 (x 100 ms)

Default

0

T5 (Set time to hold DIO5)

Sets how long an output level programmed by bit 5 of the IO command is held in the selected state before reverting to its configured level. See [Output control](#) for a functional description.

Parameter range

0 - 0x1770 (x 100 ms)

Default

0

T6 (Set time to hold DIO6)

Sets how long an output level programmed by bit 6 of the IO command is held in the selected state before reverting to its configured level. See [Output control](#) for a functional description.

Parameter range

0 - 0x1770 (x 100 ms)

Default

0

T7 (Set time to hold DIO7)

Sets how long an output level programmed by bit 7 of the IO command is held in the selected state before reverting to its configured level. See [Output control](#) for a functional description.

Parameter range

0 - 0x1770 (x 100 ms)

Default

0

T8 (Set time to hold DIO8)

Sets how long an output level programmed by bit 8 of the IO command is held in the selected state before reverting to its configured level. See [Output control](#) for a functional description.

Parameter range

0 - 0x1770 (x 100 ms)

Default

0

T9 (Set time to hold DIO9)

Sets how long an output level programmed by bit 9 of the IO command is held in the selected state before reverting to its configured level. See [Output control](#) for a functional description.

Parameter range

0 - 0x1770 (x 100 ms)

Default

0

Q0 (Set time to hold DIO10)

Sets how long an output level programmed by bit 10 of the IO command is held in the selected state before reverting to its configured level. See [Output control](#) for a functional description.

Parameter range

0 - 0x1770 (x 100 ms)

Default

0

Q1 (Set time to hold DIO11)

Sets how long an output level programmed by bit 11 of the IO command is held in the selected state before reverting to its configured level. See [Output control](#) for a functional description.

Parameter range

0 - 0x1770 (x 100 ms)

Default

0

Q2 (Set time to hold DIO12)

Sets how long an output level programmed by bit 12 of the IO command is held in the selected state before reverting to its configured level. See [Output control](#) for a functional description.

Parameter range

0 - 0x1770 (x 100 ms)

Default

0

Q3 (Set time to hold DIO13)

Sets how long an output level programmed by bit 13 of the IO command is held in the selected state before reverting to its configured level. See [Output control](#) for a functional description.

Parameter range

0 - 0x1770 (x 100 ms)

Default

0

Q4 (Set time to hold DIO14)

Sets how long an output level programmed by bit 14 of the IO command is held in the selected state before reverting to its configured level. See [Output control](#) for a functional description.

Parameter range

0 - 0x1770 (x 100 ms)

Default

0

Q5 (Set time to hold DIO15)

Sets how long an output level programmed by bit 15 of the IO command is held in the selected state before reverting to its configured level. See [Output control](#) for a functional description.

Note This option is available on the SMT device, but not the TH device.

Parameter range

0 - 0x1770 (x 100 ms)

Default

0

Q6 (Set time to hold DIO16)

Sets how long an output level programmed by bit 16 of the IO command is held in the selected state before reverting to its configured level. See [Output control](#) for a functional description.

Note This option is available on the SMT device, but not the TH device.

Parameter range

0 - 0x1770 (x 100 ms)

Default

0

Q7 (Set time to hold DIO17)

Sets how long an output level programmed by bit 17 of the IO command is held in the selected state before reverting to its configured level. See [Output control](#) for a functional description.

Note This option is available on the SMT device, but not the TH device.

Parameter range

0 - 0x1770 (x 100 ms)

Default

0

Q8 (Set time to hold DIO18)

Sets how long an output level programmed by bit 18 of the IO command is held in the selected state before reverting to its configured level. See [Output control](#) for a functional description.

Note This option is available on the SMT device, but not the TH device.

Parameter range

0 - 0x1770 (x 100 ms)

Default

0

Q9 (Set time to hold DIO19)

Sets how long an output level programmed by bit 19 of [IO command](#) is held in the selected state before reverting to its configured level. See [Output control](#) for a functional description.

Note This option is available on the SMT device, but not the TH device.

Parameter range

0 - 0x1770 (x 100 ms)

Default

0

IO command

Set output pins to the designated level. Bit 0 corresponds with DIO0 and bit 1 with DIO1, up to bit 19 that corresponds with DIO19. See [Output control](#) for a functional description.

Parameter range

0 to 0x7FFF on through-hole
0 to 0xFFFFF on surface-mount

Default

N/A

Sleep commands

The following AT commands are sleep commands.

SA command

Time to wait for association before entering deep sleep. Wakeup from deep sleep is much faster if association occurs before going to sleep.

Parameter range

0x1 – 0x36EE80 (x1 ms)

Default

0x2710 (10 seconds)

SM (Sleep Mode)

Sets or displays the sleep mode of the device.

The sleep mode determines how the device enters and exits a power saving sleep.

Parameter range

0, 1, 4, 5

Parameter	Description
0	Normal. In this mode the device never sleeps.
1	Pin Sleep. In this mode the device honors the SLEEP_RQ pin. Set D8 (DIO8 Configuration) to the sleep request function: 1 .
4	Cyclic Sleep. In this mode the device repeatedly sleeps for the value specified by SP and spends ST time awake.
5	Cyclic Sleep with Pin Wake. In this mode the device acts as in Cyclic Sleep but does not sleep if the SLEEP_RQ pin is inactive, allowing the device to be kept awake or woken by the connected system.

Default

0

SO command

Set or read the sleep mode options.

Bit	Option
0x40	Stay associated with AP during sleep. Draw more current during sleep with this option enabled, but also avoid data loss.
0x100	For cyclic sleep, ST specifies the time before returning to sleep. With this bit set, new receptions from either the serial or the RF port do not restart the ST timer. Current implementation does not support this bit being turned off.

Parameter range

0 - 0x01FF

Default

0x100

SP (Sleep Period)

This value determines how long the device sleeps, up to 24 hours or 86,400 seconds. This corresponds to 0x83d600 in 10 ms units.

Parameter range

0x1 - 0x83D600 (x 10 ms)

Default

0xC8 (2 seconds)

ST (Wake Time)

Sets or displays the time to spend awake in cyclic sleep modes.

If there is data to transmit or receive after **ST** expires, those actions occur before the device goes to sleep. The maximum wake time is 3600 seconds.

Parameter range

0x1 - 0x36EE80 (x 1 ms)

Default

0x7D0 (3 seconds)

WH (Wake Host)

Sets or displays the wake host timer value.

If you set **WH** to a non-zero value, this timer specifies a time in milliseconds that the device delays after waking from sleep before sending data out the UART or transmitting an I/O sample. If the device receives serial characters, the **WH** timer stops immediately.

Parameter range

0 - 0xFFFF (x 1 ms)

Default

0

Command mode options

The following commands are Command mode option commands.

CC (Command Mode Character)

Sets or displays the command mode character used between guard times of the Command mode sequence (GT + CC + CC + CC + GT). This sequence allows the device to enter into Command mode.

Parameter range**Default**

0x2B (the ASCII plus character: +)

CT command

Sets or displays the period of inactivity (that is, no valid commands received) after which the device automatically exits Command Mode and returns to Idle Mode. This time period can be up to ten minutes.

Parameter range

2 - 0x1770 (x 100 ms)

Default

0x64 (10 seconds)

GT command

Set the required period of silence before and after the command sequence characters of the Command mode sequence (GT + CC + GT). The period of silence prevents inadvertently entering Command mode.

Parameter range

0x2 - 0x0576 [x 1 ms] (max of 1.4 seconds)

Default

0x3E8 (one second)

CN command

Immediately exits Command Mode and applies pending changes.

Note Whether Command mode is exited using the **CN** command or by **CT** timing out, changes are applied upon exit.

Parameter range

N/A

Default

N/A

Diagnostics interfacing

The following AT commands are diagnostic commands.

VR command

Reads the firmware version on a device.

The firmware version returns four hexadecimal values (2 bytes) **ABCD**. Digits **ABC** are the main release number and **D** is the revision number from the main release. **B** is a variant designator where **0** means standard release.

Parameter range

0 - 0xFFFF [read-only]

Default

Set in firmware

HV command

Read the device's hardware version. Use this command to distinguish between different hardware platforms. The upper byte returns a value that is unique to each device type. The lower byte indicates the hardware revision.

Note XBee Wi-Fi RF Modules return 0x2x30 for the **HV** command.

Parameter range

0 - 0xFFFF [read-only]

Default

Set in firmware

HS (Hardware Series)

Read the device's hardware series number.

The XBee Wi-Fi RF Module should return 0x601 for S6B.

Parameter range

N/A

Default

N/A

AS (Active scan for network environment data)

Scan for access points in the vicinity. Issue this command in command mode or API mode to return the following information:

02 - Indicates scan type of 802.11 in this format unique to S6B.

CH - Channel number in use by access point.

ST - Security type where: 00=open, 01=WPA, 02=WPA2, and 03=WEP.

LM - Link Margin (Signal strength in dB above sensitivity).

ID - SSID of access point found.

When you issue this command in command mode, this record is displayed, one per line for each access point found. Readable ASCII characters are outputs with a carriage return and each field on a new line.

When you issue the command in API mode, each record (that is, each access point) outputs a separate [AT Command Response - 0x88](#) with the above fields in binary format. The command terminates with a null AT Command Response packet.

In Command mode, the **AS** command terminates with an additional carriage return.

Note This command is not available as a remote command. Also, this command gives an error if associated to an access point. **AI** must be **0x23** for this command to work which may be achieved by first using the **NR** command.

Parameter range

N/A

Default

N/A

CK (Configuration Code)

Reads the configuration code associated with the current AT command configuration.

Parameter range

2 bytes

Default

N/A

Execution commands

The location where most AT commands set or query register values, execution commands execute an action on the device. Execution commands are executed immediately and do not require changes to be applied.

AC (Apply Changes)

Applies changes to all command registers and applies queued command register values. For example, changing the serial interface rate with the **BD** command does not change the UART interface rate until changes are applied with the **AC** command. The **CN** command and 0x08 API command frame also apply changes.

Parameter range

N/A

Default

N/A

WR command

Writes parameter values to non-volatile memory so that parameter modifications persist through subsequent resets.

Note Once you issue a **WR** command, do not send any additional characters to the device until after you receive the **OK** response. Use the **WR** command sparingly to preserve flash.

Parameter range

N/A

Default

N/A

RE command

Restore device parameters to factory defaults.

Parameter range

N/A

Default

N/A

FR (Software Reset)

Resets the device. The device responds immediately with an **OK** and performs a software reset approximately two seconds later.

Parameter range

N/A

Default

N/A

NR (Network Reset)

Resets the network layer. For Wi-Fi, this means disassociating from the access point and set SSID to NULL, thereby preventing the node from immediately establishing the same connection with the same access point. This command also clears security settings (**EE** and **PK**).

Note **NR** and **NR0** both perform the same function and may be used interchangeably.

Parameter range

0

Default

N/A

CB command

Use **CB** to simulate commissioning pushbutton presses in software. You can issue the CB command even if the Commissioning Button functionality is disabled (**DO** is not set to 1).

See [The Commissioning Button](#).

Parameter range

2,4

Parameter	Description
2	WPS push button configuration.
4	Force Provisioning in Soft AP mode by issuing an NR command.

Default

N/A

Regulatory information

Systems that contain XBee Wi-Fi RF Modules inherit Digi certifications.

United States (FCC)	189
Europe (CE)	197
Innovation, Science and Economic Development Canada (ISED)	199
Australia (RCM)/New Zealand (R-NZ)	200
Brazil (ANATEL)	200

United States (FCC)

This device complies with Part 15 of the FCC Rules. Operation is subject to the following two conditions: (1) this device may not cause harmful interference and (2) this device must accept any interference received, including interference that may cause undesired operation.

The XBee Wi-Fi RF Module complies with Part 15 of the FCC rules and regulations. Compliance with the labeling requirements, FCC notices and antenna usage guidelines is required.

To fulfill FCC Certification, the OEM must comply with the following regulations:

1. The system integrator must ensure that the text on the module label is placed on the outside of the final product.
2. XBee Wi-Fi RF Module may only be used with antennas that have been tested and approved for use with this module (for details, see [FCC-approved antennas \(2.4 GHz\)](#)).

OEM labeling requirements



WARNING! The Original Equipment Manufacturer (OEM) must ensure that FCC labeling requirements are met. This includes a clearly visible label on the outside of the final product enclosure.

Required FCC Label for OEM products containing the XBee Wi-Fi S6B through-hole module:

Contains FCC ID: MCQ-XBS6B

The enclosed device complies with Part 15 of the FCC Rules. Operation is subject to the following two conditions: (i.) this device may not cause harmful interference and (ii.) this device must accept any interference received, including interference that may cause undesired operation.

Required FCC Label for OEM products containing the XBee Wi-Fi S6B surface-mount module:

Contains FCC ID: MCQ-S6BSM

The enclosed device complies with Part 15 of the FCC Rules. Operation is subject to the following two conditions: (i.) this device may not cause harmful interference and (ii.) this device must accept any interference received, including interference that may cause undesired operation.

The integrator is responsible for its product to comply with FCC Part 15, Sub. B - Unintentional Radiators.

FCC notices

IMPORTANT: The XBee Module has been certified by the FCC for use with other products without any further certification (as per FCC section 2.1091). Modifications not expressly approved by Digi could void the user's authority to operate the equipment.

IMPORTANT: OEMs must test final product to comply with unintentional radiators (FCC section 15.107 & 15.109) before declaring compliance of their final product to Part 15 of the FCC Rules.

IMPORTANT: The RF module has been certified for remote and base radio applications. If the module will be used for portable applications, the module must undergo SAR testing.

This equipment has been tested and found to comply with the limits for a Class B digital device, pursuant to Part 15 of the FCC Rules. These limits are designed to provide reasonable protection against harmful interference in a residential installation. This equipment generates, uses and can radiate radio frequency energy, and if not installed and used in accordance with the instructions, may

cause harmful interference to radio communications. However, there is no guarantee that interference will not occur in a particular installation.

If this equipment does cause harmful interference to radio or television reception, which can be determined by turning the equipment off and on, the user is encouraged to try to correct the interference by one or more of the following measures: Re-orient or relocate the receiving antenna, Increase the separation between the equipment and receiver, Connect equipment and receiver to outlets on different circuits, or Consult the dealer or an experienced radio/TV technician for help.

FCC-approved antennas (2.4 GHz)

The XBee Wi-Fi RF Module can be installed using antennas and cables constructed with non-standard connectors (RPSMA, RPTNC, and so forth). An adapter cable may be necessary to attach the XBee connector to the antenna connector.

The modules are FCC approved for fixed base station and mobile applications. If the antenna is mounted at least 20 cm (8 in) from nearby persons, the application is considered a mobile application. Antennas not listed in the table must be tested to comply with FCC Section 15.203 (Unique Antenna Connectors) and Section 15.247 (Emissions). XBee Wi-Fi RF Modules have been approved for use with all the antennas listed in the tables below. Cable loss is required when using gain antennas as shown below. Digi does not carry all of these antenna variants. Contact Digi Sales for available antennas.

All antenna part numbers followed by an asterisk (*) are not available from Digi. Consult with an antenna manufacturer for an equivalent option.

The following table shows antennas approved for use with the through-hole device.

Part number	Type (description)	Gain (dBi)	Application	Min. Separation	Minimum cable loss/power reduction/attenuation required		
					b mode	g mode	n mode
Integrated antennas							
29000294	Integral PCB antenna	-0.5 dBi	Fixed/Mobile	20 cm	N/A	N/A	N/A
A24-QI	Monopole (Integrated Whip)	1.5 dBi	Fixed/Mobile	20 cm	N/A	N/A	N/A
A24-HASM-450	Dipole (Half-wave articulated RPSMA-4.5")	2.1 dBi	Fixed/Mobile	20 cm	N/A	N/A	N/A
A24-HABSM*	Dipole (Articulated RPSMA)	2.1 dBi	Fixed	20 cm	N/A	N/A	N/A
A24-HABUF-PS1	Dipole (Half-wave bulkhead mount U.FL s/ 5" pigtail)	2.1 dBi	Fixed	20 cm	N/A	N/A	N/A
A24-HASM-525	Dipole (Half-wave articulated RPSMA-5.25")	2.1 dBi	Fixed/Mobile	20 cm	N/A	N/A	N/A
Omni-directional antennas							
A24-F2NF	Omni-Directional (Fiberglass base station)	2.1 dBi	Fixed/Mobile	20 cm	N/A	N/A	N/A

Part number	Type (description)	Gain (dBi)	Application	Min. Separation	Minimum cable loss/power reduction/attenuation required		
					b mode	g mode	n mode
A24-F3NF	Omni-Directional (Fiberglass base station)	3.0 dBi	Fixed/Mobile	20 cm	N/A	N/A	N/A
A24-F5NF	Omni-Directional (Fiberglass base station)	5.0 dBi	Fixed	20 cm	N/A	N/A	N/A
A24-F8NF	Omni-Directional (Fiberglass base station)	8.0 dBi	Fixed	2 m	N/A	0.4 dB	0.4 dB
A24-F9NF	Omni-Directional (Fiberglass base station)	9.5 dBi	Fixed	2 m	0.4 dB	2.4 dB	2.4 dB
A24-F10NF	Omni-Directional (Fiberglass base station)	10 dBi	Fixed	2 m	0.9 dB	2.9 dB	2.9 dB
A24-F12NF	Omni-Directional (Fiberglass base station)	12 dBi	Fixed	2 m	2.9 dB	4.9 dB	4.9 dB
A24-F15NF	Omni-Directional (Fiberglass base station)	15 dBi	Fixed	2 m	5.9 dB	7.9 dB	7.9 dB
A24-W7NF	Omni-Directional (base station)	7.2 dBi	Fixed	2 m	N/A	0.1 dB	0.1 dB
A24-M7NF	Omni-directional (Mag-mount base station)	7.2 dBi	Fixed	2 m	N/A	0.1 dB	0.1 dB
Panel class antennas							
A24-P8SF	Flat Panel	8.5 dBi	Fixed	2 m	N/A	1.4 dB	1.4 dB
A24-P8NF	Flat Panel	8.5 dBi	Fixed	3 m	N/A	1.4 dB	1.4 dB
A24-P13NF	Flat Panel	13 dBi	Fixed	4 m	3.9 dB	5.9 dB	5.9 dB
A24-P14NF	Flat Panel	14 dBi	Fixed	5 m	4.9 dB	6.9 dB	6.9 dB

Part number	Type (description)	Gain (dBi)	Application	Min. Separation	Minimum cable loss/power reduction/attenuation required		
					b mode	g mode	n mode
A24-P15NF	Flat Panel	15 dBi	Fixed	2 m	5.9 dB	7.9 dB	7.9 dB
A24-P16NF	Flat Panel	16 dBi	Fixed	2 m	6.9 dB	8.9 dB	8.9 dB
A24-19NF	Flat Panel	19 dBi	Fixed	2 m	9.9 dB	11.9 dB	11.9 dB
Yagi class antennas							
A24-Y6NF	Yagi (6 element)	8.8 dBi	Fixed	2 m	N/A	1.7 dB	1.7 dB
A24-Y7NF	Yagi (7 element)	9.0 dBi	Fixed	2 m	N/A	1.9 dB	1.9 dB
A24-Y9NF	Yagi (9 element)	10.0 dBi	Fixed	2 m	0.9 dB	2.9 dB	2.9 dB
A24-Y10NF	Yagi (10 element)	11.0 dBi	Fixed	2 m	1.9 dB	3.9 dB	3.9 dB
A24-Y12NF	Yagi (12 element)	12.0 dBi	Fixed	2 m	2.9 dB	4.9 dB	4.9 dB
A24-Y13NF	Yagi (13 element)	12.0 dBi	Fixed	2 m	2.9 dB	4.9 dB	4.9 dB
A24-Y15NF	Yagi (15 element)	12.5 dBi	Fixed	2 m	3.4 dB	5.4 dB	5.4 dB
A24-Y16NF	Yagi (16 element)	13.5 dBi	Fixed	2 m	4.4 dB	6.4 dB	6.4 dB
A24-Y16RM	Yagi (16 element, RPSMA connector)	13.5 dBi	Fixed	2 m	4.4 dB	6.4 dB	6.4 dB
A24-Y18NF	Yagi (18 element)	15.0 dBi	Fixed	2 m	5.9 dB	7.9 dB	7.9 dB

The following table shows antennas approved for use with the surface-mount device.

Part number	Type (description)	Gain (dBi)	Application	Min. Separation	Minimum cable loss/power reduction/attenuation required		
					b mode	g mode	n mode
Integrated antennas							

Part number	Type (description)	Gain (dBi)	Application	Min. Separation	Minimum cable loss/power reduction/attenuation required		
					b mode	g mode	n mode
31000005-01	Integral PCB antenna	0 dBi	Fixed/Mobile	20 cm	N/A	N/A	N/A
A24-QI	Monopole (Integrated Whip)	1.5 dBi	Fixed/Mobile	20 cm	N/A	N/A	N/A
Dipole antennas							
A24-HASM-450	Dipole (Half-wave articulated RPSMA-4.5")	2.1 dBi	Fixed/Mobile	20 cm	N/A	N/A	N/A
A24-HABSM*	Dipole (Articulated RPSMA)	2.1 dBi	Fixed	20 cm	N/A	N/A	N/A
A24-HABUF-P5I	Dipole (Half-wave bulkhead mount U.FL s/ 5" pigtail)	2.1 dBi	Fixed	20 cm	N/A	N/A	N/A
A24-HASM-525	Dipole (Half-wave articulated RPSMA-5.25")	2.1 dBi	Fixed/Mobile	20 cm	N/A	N/A	N/A
Omni-directional antennas							
A24-F2NF	Omni-Directional (Fiberglass base station)	2.1 dBi	Fixed/Mobile	20 cm	N/A	N/A	N/A
A24-F3NF	Omni-Directional (Fiberglass base station)	3.0 dBi	Fixed/Mobile	20 cm	N/A	N/A	N/A
A24-F5NF	Omni-Directional (Fiberglass base station)	5.0 dBi	Fixed	20 cm	N/A	N/A	N/A
A24-F8NF	Omni-Directional (Fiberglass base station)	8.0 dBi	Fixed	2 m	N/A	N/A	1.5 dB
A24-F9NF	Omni-Directional (Fiberglass base station)	9.5 dBi	Fixed	2 m	N/A	1.5 dB	1.0 dB
A24-F10NF	Omni-Directional (Fiberglass base station)	10 dBi	Fixed	2 m	0.5 dB	2.0 dB	2.5 dB

Part number	Type (description)	Gain (dBi)	Application	Min. Separation	Minimum cable loss/power reduction/attenuation required		
					b mode	g mode	n mode
A24-F12NF	Omni-Directional (Fiberglass base station)	12 dBi	Fixed	2 m	2.5 dB	4.0 dB	4.5 dB
A24-F15NF	Omni-Directional (Fiberglass base station)	15 dBi	Fixed	2 m	5.5 dB	7.0 dB	7.5 dB
A24-W7NF	Omni-Directional (base station)	7.2 dBi	Fixed	2 m	N/A	N/A	N/A
A24-M7NF	Omni-directional (Mag-mount base station)	7.2 dBi	Fixed	2 m	N/A	N/A	N/A
Panel class antennas							
A24-P8SF	Flat Panel	8.5 dBi	Fixed	2 m	N/A	0.5 dB	0.9 dB
A24-P8NF	Flat Panel	8.5 dBi	Fixed	3 m	N/A	0.5 dB	0.9 dB
A24-P13NF	Flat Panel	13 dBi	Fixed	4 m	3.5dB	5.0 dB	5.5 dB
A24-P14NF	Flat Panel	14 dBi	Fixed	5 m	4.5dB	6.0 dB	6.5 dB
A24-P15NF	Flat Panel	15 dBi	Fixed	2 m	5.5dB	7.0 dB	7.5 dB
A24-P16NF	Flat Panel	16 dBi	Fixed	2 m	6.5dB	8.0 dB	8.5 dB
A24-19NF	Flat Panel	19 dBi	Fixed	2 m	9.5dB	11.0 dB	11.5 dB
Yagi class antennas							
A24-Y6NF	Yagi (6 element)	8.8 dBi	Fixed	2 m	N/A	0.8 dB	1.2 dB
A24-Y7NF	Yagi (7 element)	9.0 dBi	Fixed	2 m	N/A	1.0 dB	1.5 dB
A24-Y9NF	Yagi (9 element)	10.0 dBi	Fixed	2 m	0.5 dB	2.0 dB	2.5 dB
A24-Y10NF	Yagi (10 element)	11.0 dBi	Fixed	2 m	1.5 dB	3.0 dB	3.5 dB

Part number	Type (description)	Gain (dBi)	Application	Min. Separation	Minimum cable loss/power reduction/attenuation required		
					b mode	g mode	n mode
A24-Y12NF	Yagi (12 element)	12.0 dBi	Fixed	2 m	2.5 dB	4.0 dB	4.5 dB
A24-Y13NF	Yagi (13 element)	12.0 dBi	Fixed	2 m	2.5 dB	4.0 dB	4.5 dB
A24-Y15NF	Yagi (15 element)	12.5 dBi	Fixed	2 m	3.0 dB	4.5 dB	5.0 dB
A24-Y16NF	Yagi (16 element)	13.5 dBi	Fixed	2 m	4.0 dB	5.5 dB	6.0 dB
A24-Y16RM	Yagi (16 element, RPSMA connector)	13.5 dBi	Fixed	2 m	4.0 dB	5.5 dB	6.0 dB
A24-Y18NF	Yagi (18 element)	15.0 dBi	Fixed	2 m	5.5 dB	7.0 dB	7.5 dB

* If using the RF module in a portable application (for example, if the module is used in a handheld device and the antenna is less than 20cm from the human body when the device is in operation): The integrator is responsible for passing additional SAR (Specific Absorption Rate) testing based on FCC rules 2.1091 and FCC Guidelines for Human Exposure to Radio Frequency Electromagnetic Fields, OET Bulletin and Supplement C. The testing results will be submitted to the FCC for approval prior to selling the integrated unit. The required SAR testing measures emissions from the module and how they affect the person.

RF exposure



CAUTION! To satisfy FCC RF exposure requirements for mobile transmitting devices, a separation distance of 20 cm or more should be maintained between the antenna of this device and persons during device operation. To ensure compliance, operations at closer than this distance are not recommended. The antenna used for this transmitter must not be co-located in conjunction with any other antenna or transmitter.

The preceding statement must be included as a CAUTION statement in OEM product manuals in order to alert users of FCC RF Exposure compliance.

Europe (CE)

The XBee Wi-Fi RF radio modules are certified for use in several European countries. For a complete list, refer to www.digi.com/resources/certifications.

If the XBee Wi-Fi is incorporated into a product, the manufacturer must ensure compliance of the final product with articles 3.1a and 3.1b of the RE Directive (Radio Equipment Directive). A Declaration of Conformity must be issued for each of these standards and kept on file as described in the RE Directive (Radio Equipment Directive).

Furthermore, the manufacturer must maintain a copy of the XBee Wi-Fi user manual documentation and ensure the final product does not exceed the specified power ratings, antenna specifications, and/or installation requirements as specified in the user manual. If any of these specifications are exceeded in the final product, a submission must be made to a notified body for compliance testing to all required standards.

Maximum power and frequency specifications

For the XBee S6B through-hole device:

- Maximum RF output power: 95.06 mW (19.78 dBm) Equivalent Isotropically Radiated Power (EIRP).

The radio can transmit on the following 13 802.11 channels:

- 2412, 2417, 2422, 2427, 2432, 2437, 2442, 2447, 2452, 2457, 2462, 2467, 2472.

For the XBee S6B surface-mount device:

- Maximum RF output power: 81.47 mW (19.11 dBm) EIRP.

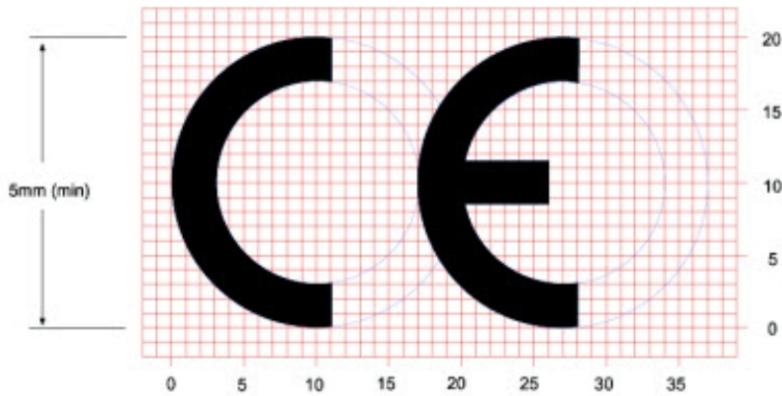
The radio can transmit on the following 13 802.11 channels:

- 2412, 2417, 2422, 2427, 2432, 2437, 2442, 2447, 2452, 2457, 2462, 2467, 2472.

OEM labeling requirements

The 'CE' marking must be affixed to a visible location on the OEM product.

CE labeling requirements



The CE mark shall consist of the initials “CE” taking the following form:

- If the CE marking is reduced or enlarged, the proportions given in the above graduated drawing must be respected.
- The CE marking must have a height of at least 5 mm except where this is not possible on account of the nature of the apparatus.
- The CE marking must be affixed visibly, legibly, and indelibly.

Declarations of conformity

Digi has issued Declarations of Conformity for the (product name) concerning emissions, EMC, and safety. For more information, see www.digi.com/resources/certifications.

Important note

Digi customers assume full responsibility for learning and meeting the required guidelines for each country in their distribution market. Refer to the radio regulatory agency in the desired countries of operation for more information.

Approved antennas

When integrating high-gain antennas, European regulations stipulate EIRP power maximums.

All antenna part numbers followed by an asterisk (*) are not available from Digi. Consult with an antenna manufacturer for an equivalent option.

The following antennas are approved for use with the XBee Wi-Fi RF Module:

- Dipole (2.1 dBi, omni-directional, articulated RPSMA, Digi part number **A24-HABSM***)
- PCB antenna (0 dBi)
- Wire whip antenna (1.5 dBi)

Innovation, Science and Economic Development Canada (ISED)

This device complies with Industry Canada licence-exempt RSS standard(s). Operation is subject to the following two conditions: (1) this device may not cause interference, and (2) this device must accept any interference, including interference that may cause undesired operation of the device.

Le présent appareil est conforme aux CNR d'Industrie Canada applicables aux appareils radio exempts de licence. L'exploitation est autorisée aux deux conditions suivantes: (1) l'appareil ne doit pas produire de brouillage, et (2) l'utilisateur de l'appareil doit accepter tout brouillage radioélectrique subi, même si le brouillage est susceptible d'en compromettre le fonctionnement.

Labeling requirements

Labeling requirements for Industry Canada are similar to those of the FCC. A clearly visible label on the outside of the final product enclosure must display the following text.

XBee Wi-Fi Through-hole:

Contains Model XBEE56B Radio, IC: 1846A-XBS6B

XBee Wi-Fi Surface Mount:

Contains Model S6BSM Radio, IC: 1846A-S6BSM

The integrator is responsible for its product to comply with IC ICES-003 & FCC Part 15, Sub. B - Unintentional Radiators. ICES-003 is the same as FCC Part 15 Sub. B and Industry Canada accepts FCC test report or CISPR 22 test report for compliance with ICES-003.

Transmitters with detachable antennas

This radio transmitter (IC: 1846A-XBS6B and IC: 1846A-S6BSM) has been approved by Industry Canada to operate with the antenna types listed in the tables above with the maximum permissible gain and required antenna impedance for each antenna type indicated. Antenna types not included in this list, having a gain greater than the maximum gain indicated for that type, are strictly prohibited for use with this device.

Le présent émetteur radio (IC: 1846A-XBS6B et IC: 1846A-S6BSM) a été approuvé par Industrie Canada pour fonctionner avec les types d'antenne énumérés ci-dessous et ayant un gain admissible maximal et l'impédance requise pour chaque type d'antenne. Les types d'antenne non inclus dans cette liste, ou dont le gain est supérieur au gain maximal indiqué, sont strictement interdits pour l'exploitation de l'émetteur.

Detachable antenna

Under Industry Canada regulations, this radio transmitter may only operate using an antenna of a type and maximum (or lesser) gain approved for the transmitter by Industry Canada. To reduce potential radio interference to other users, the antenna type and its gain should be so chosen that the equivalent isotropically radiated power (EIRP) is not more than that necessary for successful communication.

Conformément à la réglementation d'Industrie Canada, le présent émetteur radio peut fonctionner avec une antenne d'un type et d'un gain maximal (ou inférieur) approuvé pour l'émetteur par Industrie Canada. Dans le but de réduire les risques de brouillage radioélectrique à l'intention des autres utilisateurs, il faut choisir le type d'antenne et son gain de sorte que la puissance isotrope rayonnée équivalente (p.i.r.e.) ne dépasse pas l'intensité nécessaire à l'établissement d'une communication satisfaisante.

Australia (RCM)/New Zealand (R-NZ)

These modules comply with requirements to be used in end products in Australia and New Zealand. All products with EMC and radio communications must have registered RCM and R-NZ marks. Registration to use the compliance mark will only be accepted from Australia or New Zealand manufacturers or importers, or their agents.

In order to have a RCM or R-NZ mark on an end product, a company must comply with a or b below.

- a. have a company presence in Australia or New Zealand.
- b. have a company/distributor/agent in Australia or New Zealand that will sponsor the importing of the end product.

Contact Digi for questions related to locating a contact in Australia and New Zealand.

Brazil (ANATEL)

These modules comply with Brazil ANATEL standards in Resolution No. 506. The following information is required in the user manual for the product containing the radio and on the product containing the radio (in Portuguese):

Anatel homologation number to be stamped on product label:

ANATEL: 2672-13-1209

Anatel homologation label to be stamped on the user manual.



Resolution 506 warning to be stamped on the user manual:

Este equipamento opera em caráter secundário, isto é, não tem direito a proteção contra interferência prejudicial, mesmo de estações do mesmo tipo, e não pode causar interferência a sistemas operando em caráter primário.

Manufacturing information

The XBee Wi-Fi RF Module is designed for surface-mounting on the OEM PCB. It has castellated pads to allow for easy solder attaching and inspection. The pads are all located on the edge of the device so there are no hidden solder joints on these devices.

Recommended solder reflow cycle	203
Recommended footprint	203
Mount the devices	205
Flux and cleaning	206
Rework	207

Recommended solder reflow cycle

The following table lists the recommended solder reflow cycle. The chart shows the temperature setting and the time to reach the temperature.

Time (seconds)	Temperature (°C)
30	65
60	100
90	135
120	160
150	195
180	240
210	260

The maximum temperature should not exceed 260 °C.

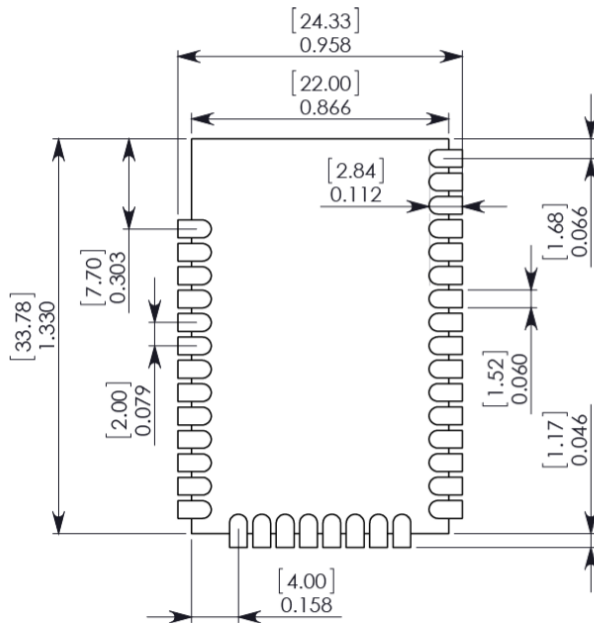
The device reflows during this cycle, and must not be reflowed upside down. Be careful not to jar the device while the solder is molten, as parts inside the device can be removed from their required locations.

Hand soldering is possible and should be done in accordance with approved standards.

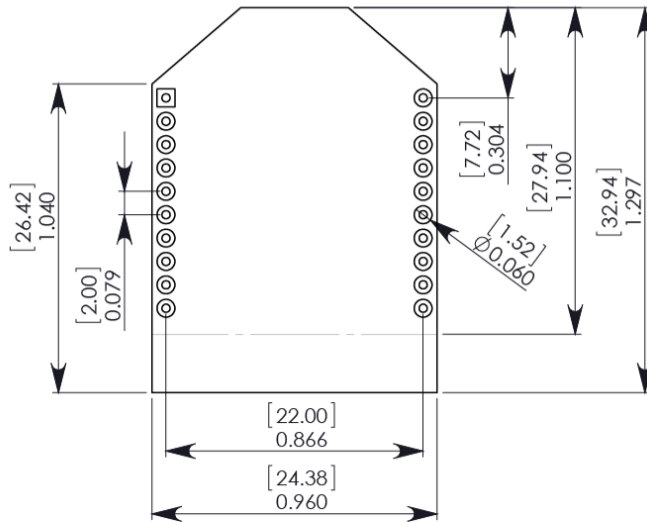
This device has a Moisture Sensitivity Level (MSL) of 3.

Recommended footprint

We recommend that you use the PCB footprints in the following drawings for surface mounting. The first drawing shows the surface mount device.

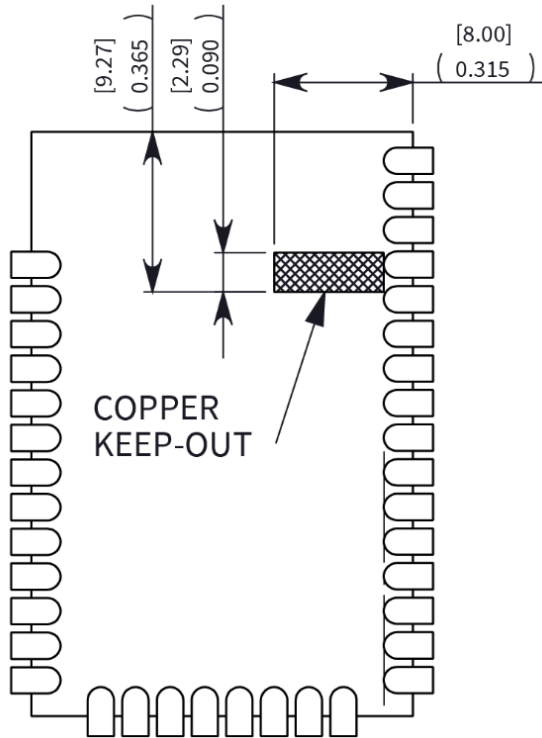


The following image shows the through-hole device.



Match the solder footprint to the copper pads. You may need to adjust the footprint depending on the specific needs of assembly and product standards. The underside of the device is mostly coated with solder resist, but we recommend that you leave the copper layer directly below the device open to avoid unintended contacts. Copper or vias must not interfere with the three exposed RF test points on

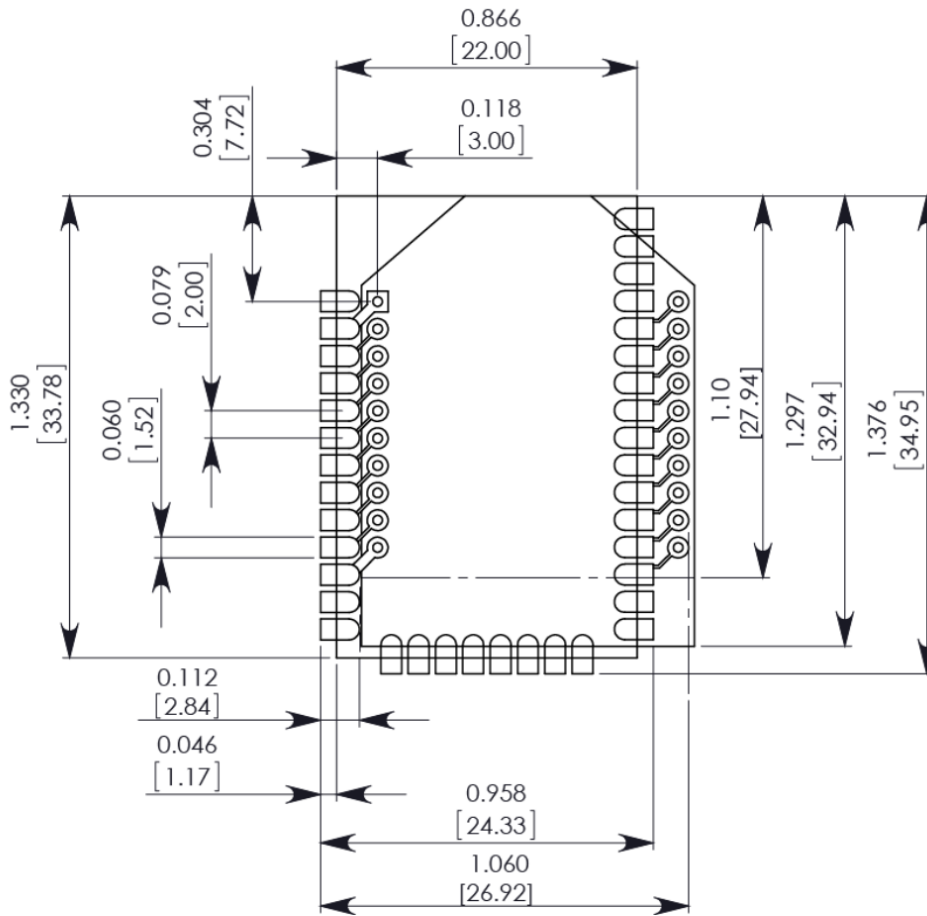
the bottom of the device (see below). These devices have a ground plane in the middle on the back side for shielding purposes, which can be affected by copper traces directly below the device.



Mount the devices

One important difference between the SMT and TH devices is the way they mount to a printed circuit board (PCB). Each footprint requires different mounting techniques.

We designed a footprint that allows you to attach either device to a PCB. The following drawing shows the layout.



The round holes in the drawing are for the through-hole version, and the semi-oval pads are for the surface mount version. Pin 1 of the through-hole version connects with pin 2 of the surface mount. Use the diagonal traces to connect the pins and the layout will work for both devices.

Flux and cleaning

We recommend that you use a “no clean” solder paste in assembling these devices. This eliminates the clean step and ensures that you do not leave unwanted residual flux under the device where it is difficult to remove. In addition:

- Cleaning with liquids can result in liquid remaining under the device or in the gap between the device and the host PCB. This can lead to unintended connections between pads.
- The residual moisture and flux residue under the device are not easily seen during an inspection process.

Note The best practice is to use a “no clean” solder paste to avoid the issues above and ensure proper device operation.

Rework



CAUTION! Any modification to the device voids the warranty coverage and certifications.

Rework should never be performed on the device itself. The device has been optimized to give the best possible performance, and reworking the device itself will void warranty coverage and certifications. We recognize that some customers will choose to rework and void the warranty; the following information is given as a guideline in such cases to increase the chances of success during rework, though the warranty is still voided.

The device may be removed from the OEM PCB by the use of a hot air rework station, or hot plate. Care should be taken not to overheat the device. During rework, the module temperature may rise above its internal solder melting point and care should be taken not to dislodge internal components from their intended positions.