

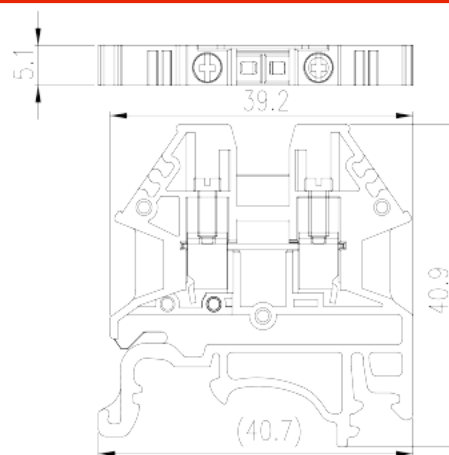
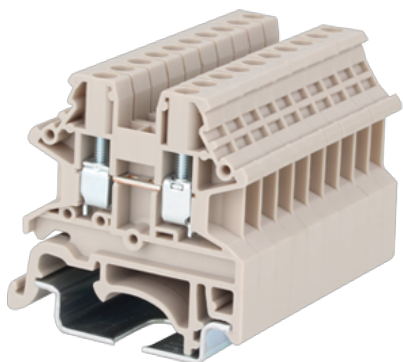
# DK2.5N

DIN

>

:2023-01-18

:1.2



M2.5, 600V, 20A, Beige (default)

	DIN rail terminal blocks, Feed through terminal blocks
	Feed through terminal blocks
	Beige (default)
	Screw connection
	Rail mounting
(mm)	40.7
(mm)	5.1
(mm)	39.6
( )	1P
	Single level
	2
	PA
	I
UL 94	V0
	500M at DC 500V

## -IEC

(V)		1000
(A)		24
(III/3)(V)		1000
(II/2)(KV)		8
(III/2)(KV)		8
(III/3)(KV)		8
(mm <sup>2</sup> )		0.34
(mm <sup>2</sup> )		2.5
(mm <sup>2</sup> )		0.34
(mm <sup>2</sup> )		2.5
(mm <sup>2</sup> )	,	0.34
(mm <sup>2</sup> )	,	2.5
(mm <sup>2</sup> )	,	0.34
(mm <sup>2</sup> )	,	2.5
2	(mm <sup>2</sup> )	0.34
2	(mm <sup>2</sup> )	2.5
2	(mm <sup>2</sup> )	0.34
2	(mm <sup>2</sup> )	2.5
(mm <sup>2</sup> ) 2	,	0.5
(mm <sup>2</sup> ) 2	,	1.5
2	(mm <sup>2</sup> )	0.5
2	(mm <sup>2</sup> )	1.5
		M2.5
Width)(mm)	(Blade thickness x	0.6x3.5
Philips		PH0
(N.m)		0.4
		9~11
		TS-35
		YES



		NO
<b>-UL</b>		
(UL/CUL Group B)(V)		600
(UL/CUL Group B)(A)		20
(UL/CUL Group C)(V)		600
(UL/CUL Group C)(A)		20
(UL/CUL Group D)(V)		600
(UL/CUL Group D)(A)		5
UL/CUL	AWG	22
UL/CUL	AWG	12
UL/CUL	AWG	22
UL/CUL	AWG	12

**&**

	(YES or NO)	YES
가	(YES or NO)	YES
		120
		-40

**UL**

(Group B)(AWG)		22~12
(Group B)(V)		600
(Group B)(A)		20
(Group C)(AWG)		22~12
(Group C)(V)		600
(Group C)(A)		20
(Group D)(AWG)		22~12
(Group D)(V)		600
(Group D)(A)		5

**CUL**

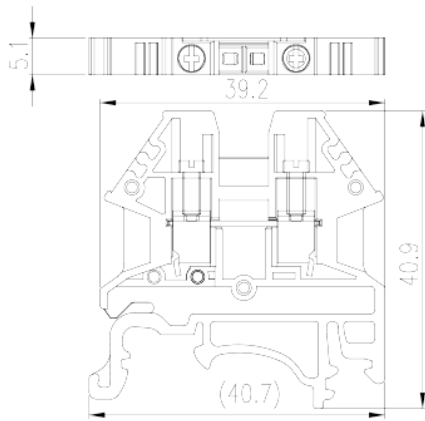
(Group B)(AWG)		22~12
(Group B)(V)		600
(Group B)(A)		20




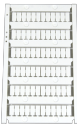


(Group C) (AWG)	22~12
(Group C) (V)	600
(Group C) (A)	20
(Group D) (AWG)	22~12
(Group D) (V)	600
(Group D) (A)	5

VDE

(mm <sup>2</sup> )	0.34~2.5
(V)	1000
(A)	24

(mm <sup>2</sup> )	0.34~2.5
(V)	1000
(A)	24



	<p><b>DKNSPS-001</b>          Partition Plate          For DK2.5N, DK4N, DK2.5N-TN, DK4N-TN, DK10N-TN, DK2.5N-TR, DK4N-TR, DKK2.5N Series, DKK4N Series. Beige color. Using UL94-V0 class of insulation material.</p>
	<p><b>DKNSPS-005</b>          Partition Plate          For DK2.5N, DK4N Beige color. Using UL94-V0 class of insulation material.</p>
	<p><b>TS-35</b>          DIN-Rail          For DP / DK..N / DK.. / AK / DKB / DKU.. /DKM.. series. Material is iron. Length of 1000mm / 2000mm.</p>
	<p><b>TM47W</b>          Marking Label          For BEST APPLICATION : DP2.5N, DP2.5N-PE, DP2.5N-TN, DP2.5N-TN-PE, DP2.5N-TR, DP2.5N-TR-PE, DP2.5-3L-SPE, DP2.5-T Series, AK2.5, AK2.5-PE, AK2.5-TN, AK2.5-TN-PE, AK2.5-TR, AK2.5-TR-PE, AK2.5-T Series, AK2.5-TN-T Series, AK2.5-TR-T Series, DK2.5N, DK2.5N-PE, DK2.5N-TN, DK2.5N-TR, DK1.5SG Series, DK2.5N-T Series, DKK2.5N, DKK2.5N-PV, DKK2.5N-L2PE, DKK2.5N-PE, DKK2.5N-T Series, DKK2.5N-D Series, DK2.5-PE AVAILABLE APPLICATION : DKES1.5, DK2.5-PE White color. Using UL94-V2 class of insulation material.</p>
	<p><b>DSS2.5N-XXP</b>          Plug-in bridge          For DK2.5N, DK2.5N-TN, DK2.5N-TR, DKK2.5N, DKK2.5N-PV, DKK2.5N-L2PE, DKK2.5N-PE, DKK2.5N-TP, DKK2.5N-TG, DKK2.5N-CP Red color. Using UL94-V0 class of insulation material.</p>
	<p><b>DSS2.5N-6688-XXP</b>          Plug-in bridge          For DK2.5N, DK2.5N-TN, DKK2.5N Series. Red color. Using UL94-V0 class of insulation material.</p>

**CSC-2.5XPN**

Insertion Bridge

For DK2.5N, DK2.5N-TN, DK2.5N-TR, DKK2.5N Series, DK2.5N-TP, DK2.5N-TG, DK2.5N-CP. Beige color. Using UL94-V0 class of insulation material.

**DK4NC**

End cover

For DK2.5N / DK4N / DK2.5N-TP / DK2.5N-TG / DK2.5N-CP / DK4N-TP / DK4N-TG / DK4N-CP Grey color. Using UL94-V0 class of insulation material.

**0175L1**

Lever

For DK2.5N, DK2.5N-TN, DK2.5N-TR, DKK2.5N. Orange color. Using UL94-V0 class of insulation material.

**0175-T002**

Test plug

For DK2.5N, DK2.5N-TN, DK2.5N-TR, DKK2.5N, DKK2.5N-PV. Red color. Using UL94-V0 class of insulation material.

**TM-R200**

Continuous Flat Marking Labels