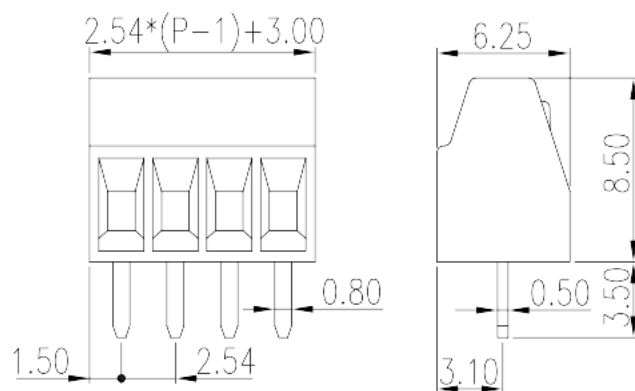
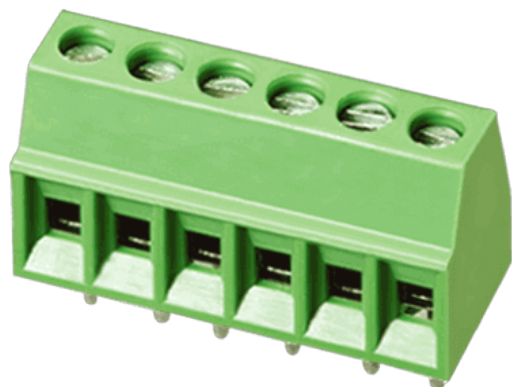


EK254V-XXP

PCB > PCB

:2022-05-26 :V1



Pitch : 2.54mm, 150V, 10A

		PCB Terminal Blocks, Screw Connection
		PCB Terminal Blocks
(mm)		2.54
		Green (default)
		Screw Connection
		Without
(mm)		$2.50*(P-1)+3.0$
(mm)		6.25
(mm)		8.5
(x) (mm)		0.5x0.8
PCB (mm)		1.1
()		02P~16P
		Single level
		PA
		I
UL 94		V0



	500M at DC 500V
	COPPER ALLOY
	Tin PLATED

-IEC

(V)	160
(A)	8
(II/2)(V)	320
(III/2)(V)	160
(III/3)(V)	160
(II/2)(KV)	2.5
(III/2)(KV)	2.5
(III/3)(KV)	2.5
(mm ²)	0.2
(mm ²)	1.5
(mm ²)	0.2
(mm ²)	1.5
(mm ²)	0.25
(mm ²)	0.5
(mm ²)	0.25
(mm ²)	0.34
	M1.6
Width)(mm) (Blade thickness x	0.4x2.0
(N.m)	0.2
	4~5

-UL

(UL/CUL Group B)(V)	150
(UL/CUL Group B)(A)	10
UL/CUL AWG	28
UL/CUL AWG	16
UL/CUL AWG	28

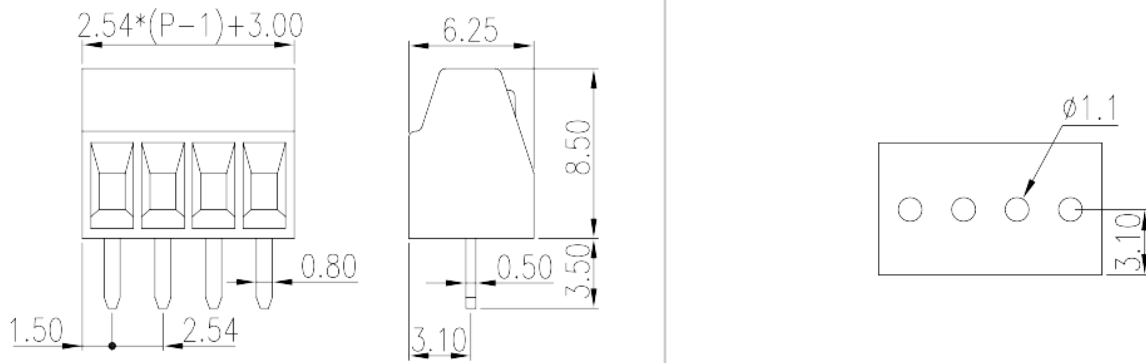
UL/CUL	AWG	16
&		
가	(YES or NO)	YES
		120
		-40

UL

(Group B) (AWG)	28~16
(Group B) (V)	150
(Group B) (A)	10

CUL

(Group B) (AWG)	28~16
(Group B) (V)	150
(Group B) (A)	10





Delight Through Connections