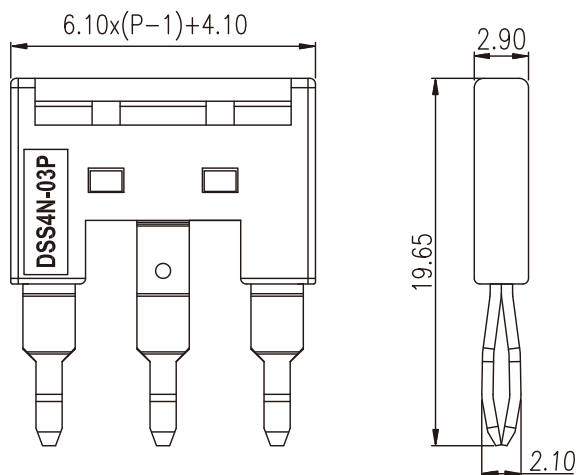
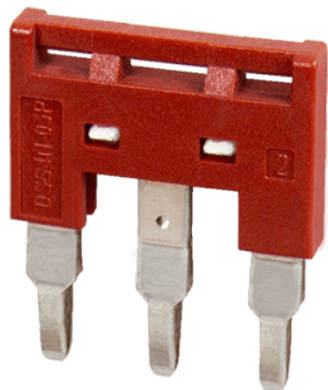


DSS4N-XXP



DIN Rail Terminal Blocks > Accessories > Plug-in bridge



Specification

Product description	Plug-in bridge
Material	PA
Inflammability class	UL94-V0
Pitch	6.00 mm
Position	02~10P
Compatible products	DK4N / DK4N-TN / DK4N-TR / DK4D / DKK4N
Package	02~04P : 100 pcs/box , 05~10P : 50 pcs/box