

REVISION HISTORY



Product	Micro speaker			Issued Date	23-Apr-13
Model No.	U408B44H			Page No.	1 of 4
REV No.	DATE	PAGE	DESCRIPTION OF REVISION	REASON	
0	13.04.23		INITIALLY DESIGNED		

SPECIFICATION



Product	Micro speaker	Issued date	23-Apr-13
Part No.	U408B44H	Page No.	2 of 4

1. Physical dimension.

Diameter	40 mm (Refer to drawing)
Thickness	6.0 mm (Refer to drawing)
Weight	10.7g ± 1.1g

2. Electric characteristics.

Impedance	8 Ω ± 15 % at 1.0V 1KHz.
S.P.L.	92 dB ± 3 dB at 0.8 , 1.0 , 1.2 , 1.5 KHz. Average figures / 4 Pts .
Power	Nor. : 2.0 W (4.0V)
	Max. : 3.0 W (4.89V) allowed for one minute
Resonant Frequency (Fo)	400 Hz ± 20% at 1.0 V
Effective Frequency band	Fo ~ 10 KHz.
Distortion	Less than 5% at 1 KHz 0.1 W.
Buzz & rattle , etc.	Not be audible at 4.0 V sine wave, Fo ~ 10 KHz.
Load Test	Must be normal with program source 2.0 W. / (4.0V)
	White noise(EIA) / 96 Hrs.
Magnet	12.5 mm × 2.0 mm (Rare Earth Permanent Magnet)
Leakage Flux	Front Cover Surface Center : MAX 1200 Gauss

3. Environment Test

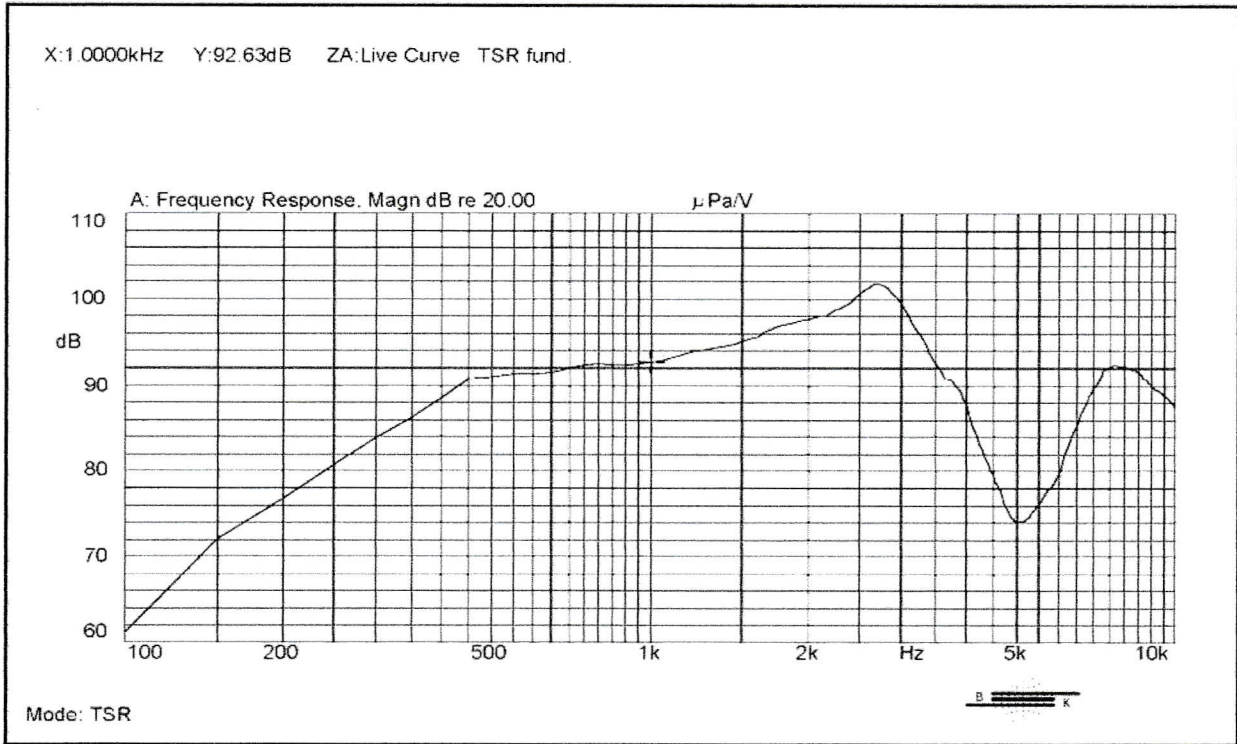
High Temperature	+60 °C ± 3 °C 96 Hrs and keep 6 Hrs in a room.
Low Temperature	-20 °C ± 3 °C 96 Hrs and keep 6 Hrs in a room.
Humidity Resistance	+40 °C ± 3 °C 90 % ±5 % 96 Hrs.
Operation Temperature Range	-20 °C ± 3 °C ~ +60 °C ± 3 °C
Storage Temperature Range	-20 °C ± 3 °C ~ +70 °C ± 3 °C

SPECIFICATION

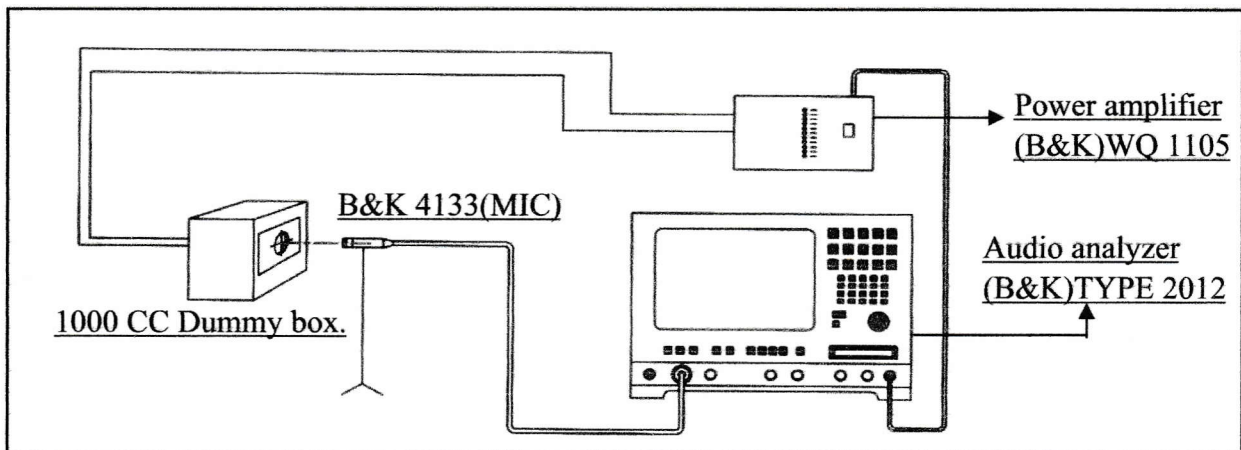


Product	Micro speaker	Issued date	23-Apr-13
Part No.	U408B44H	Page No.	3 of 4

4. Frequency curve.



5. Test diagram.



6. Measurement condition.

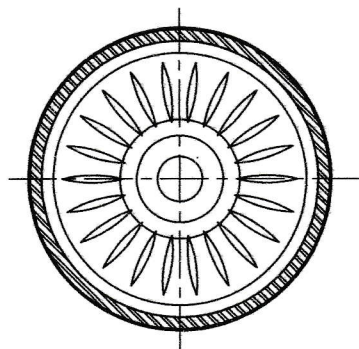
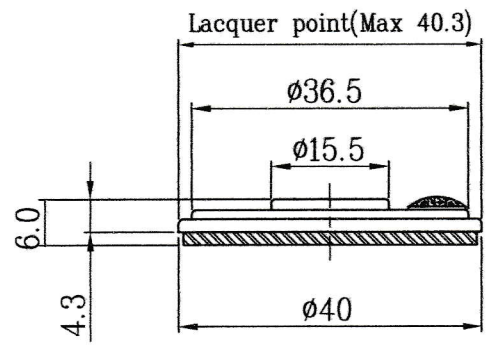
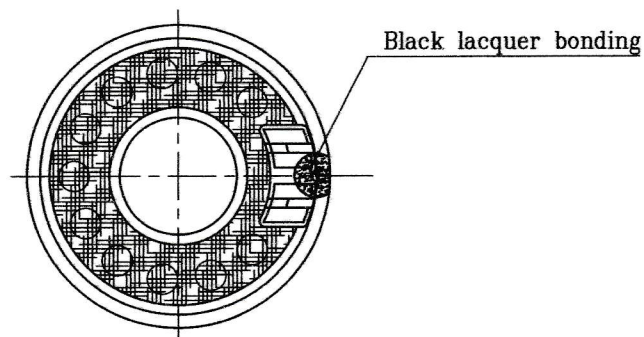
Microphone	B&K 4133	Zero level	60 dB
Mode	TSR	Input power	0.1 W
Mic distance	0.1m	Sweep time	0.5Sec

Model No.		U408B44H		Page No.		4 of 4	
REV.NO	DATE	DESCRIPTION		DRAW.BY	CHKD.BY	APP.BY	

MARKING



YEAR MONTH



UNIT	mm	DRAW.BY	CHKD.BY	APP.BY	DATE	23-APR-2013
SCALE	1 : 1	H.S.JANG	D.W.P	I.G.SONG	MODEL NO.	U408B44H
TOL	±0.2	2013.04.23	2013.04.23	2013.04.23	NOMENCLATURE	MODEL DIMENSION
FRM.UA-G-004-03 Rev.0 UNISON ACOUSTICS CO., LTD.A4(297 X 210)mm						