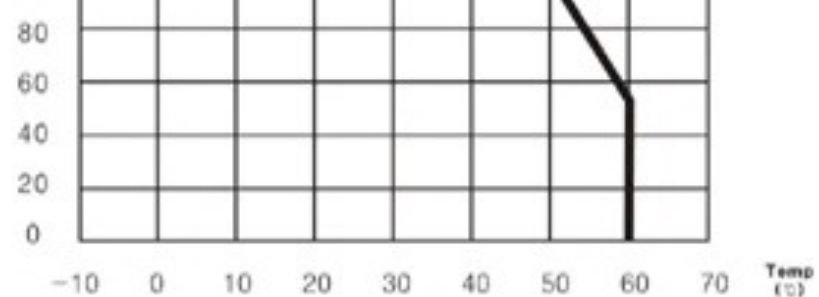
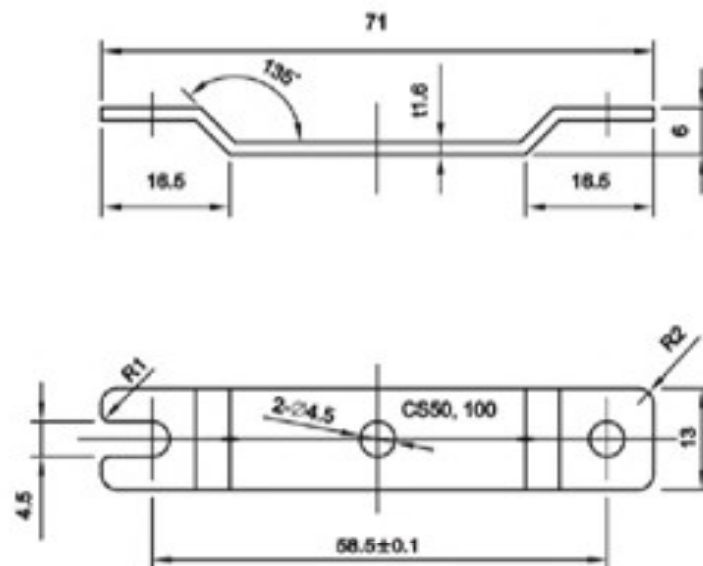
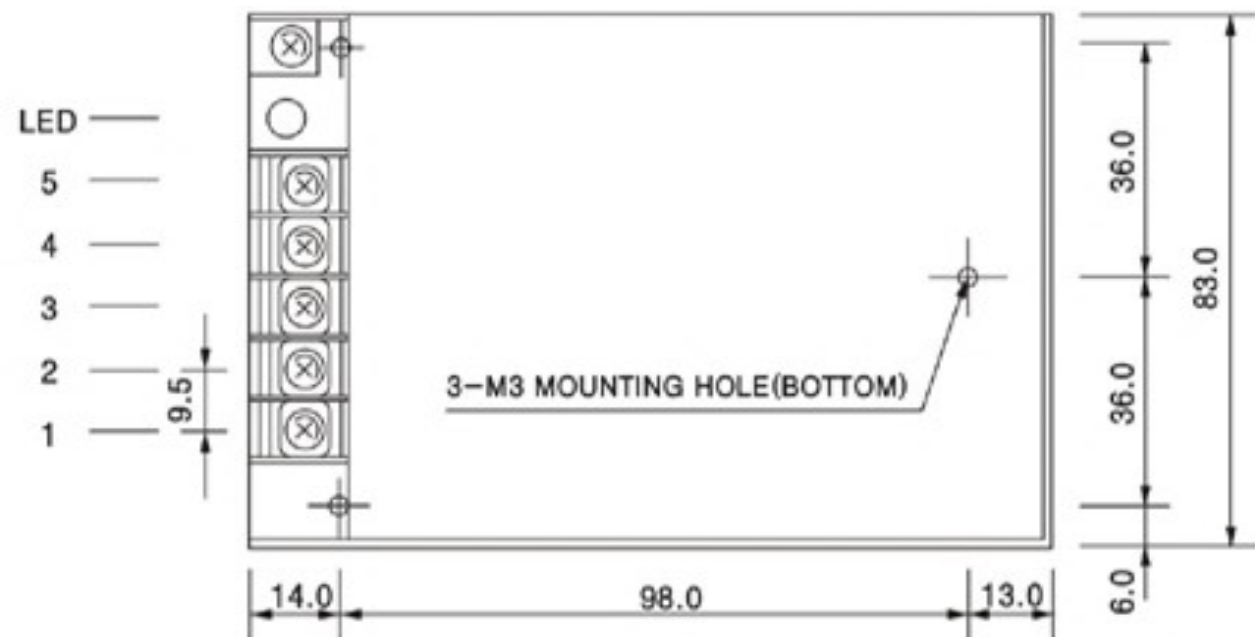


CN 1

- 1. AC(L)
- 2. AC(N)
- 3. FG
- 4. -V
- 5. +V



Dimensions



<Bracket>



NOTES

- 1. All dimensions are mm.
- 2. Weight : 430g or less (single)