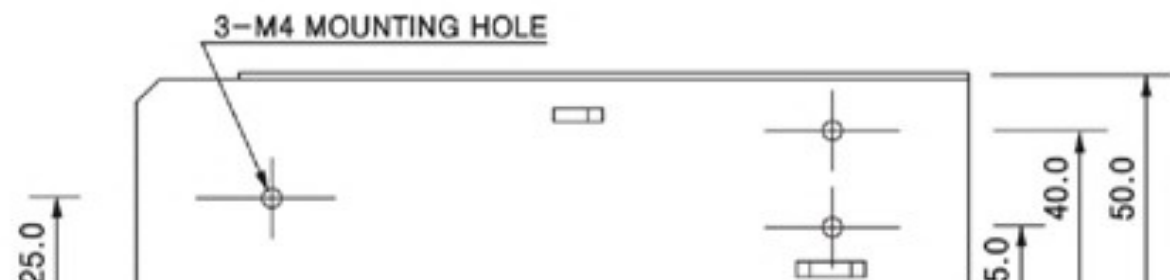
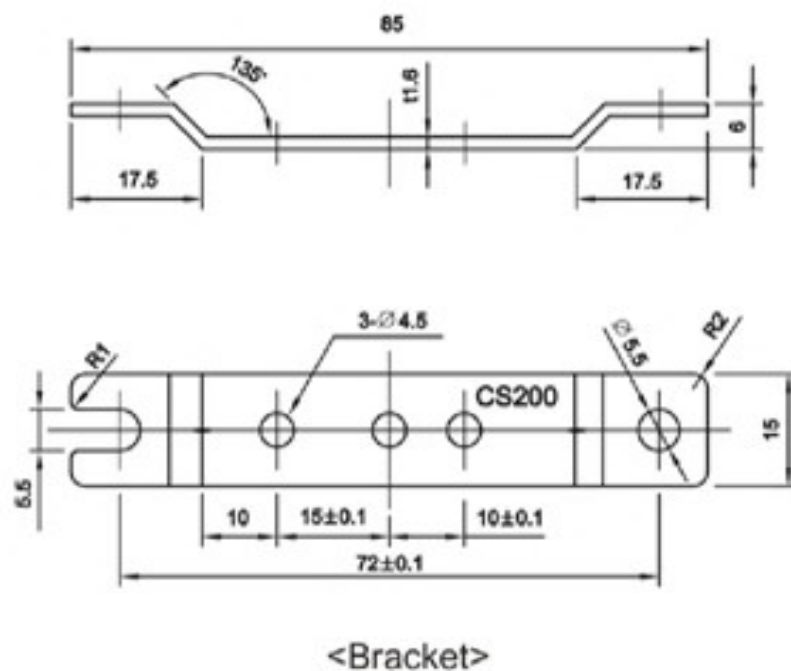
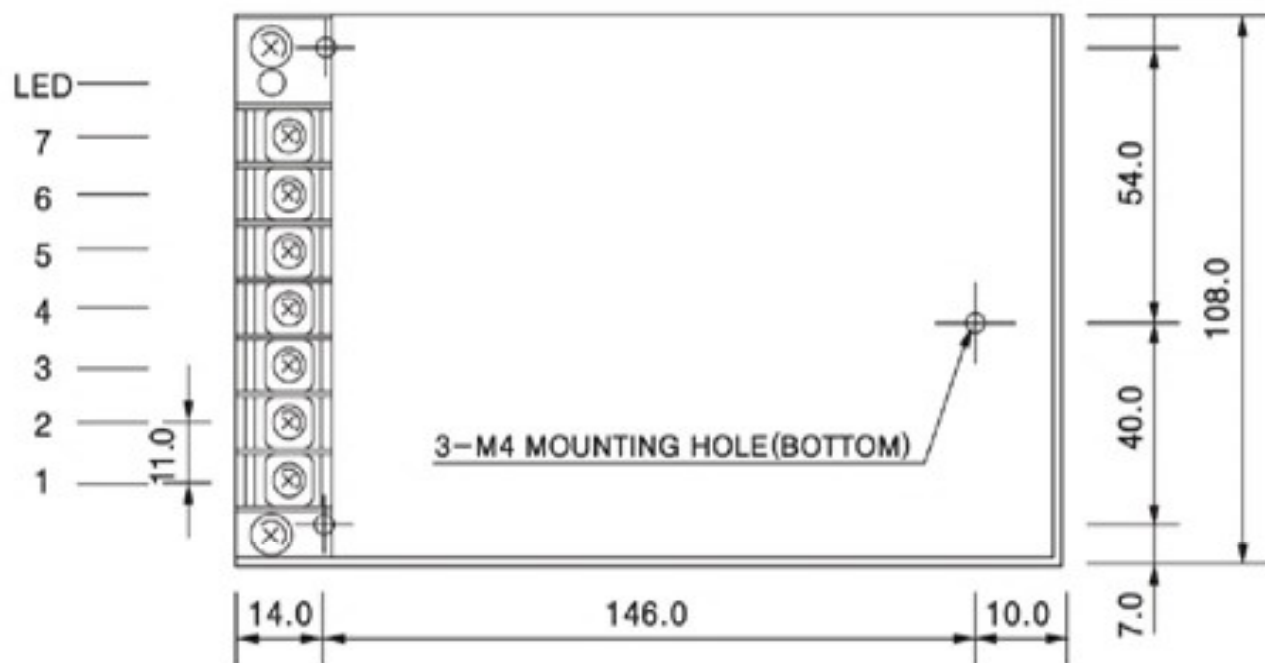


CN 1

- 1. AC(N)
- 2. AC(L)
- 3. FG
- 4. -V
- 5. -V
- 6. +V
- 7. +V



Dimensions



NOTES

- 1. All dimensions are mm.
- 2. Weight : 900g or less (single)
- 3. Mounting holes(6) for M4 screw, which should not