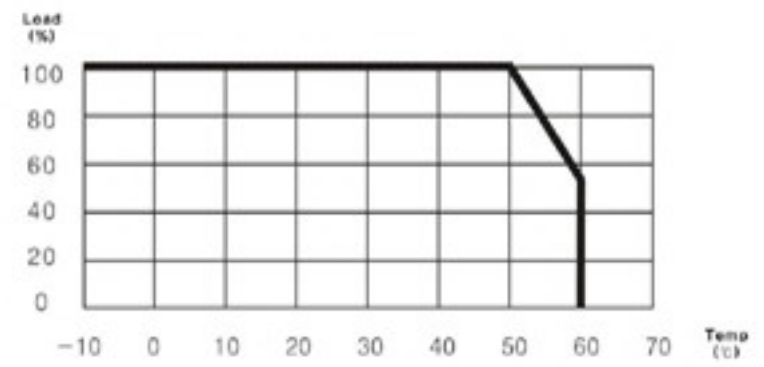
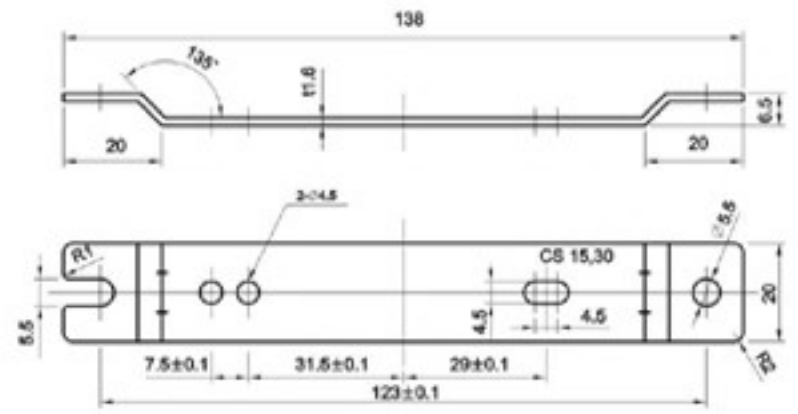
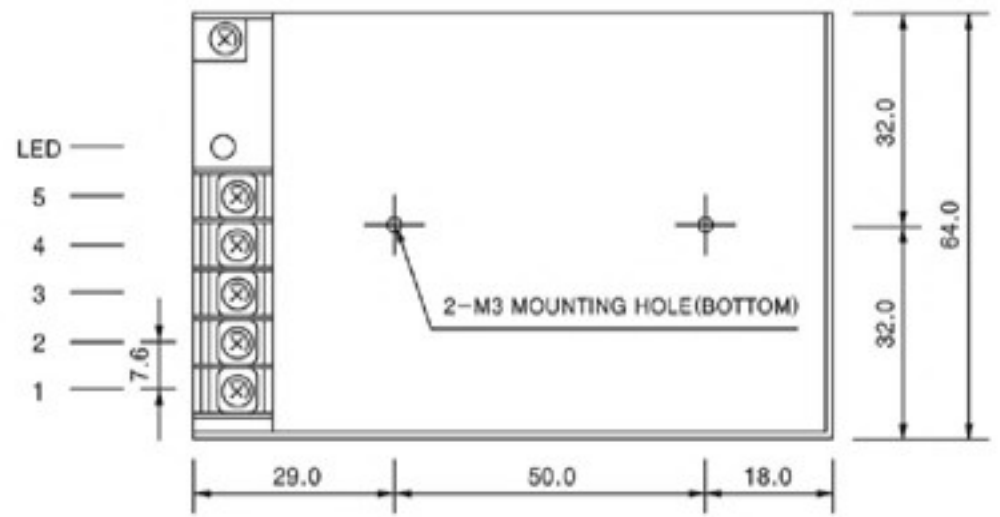


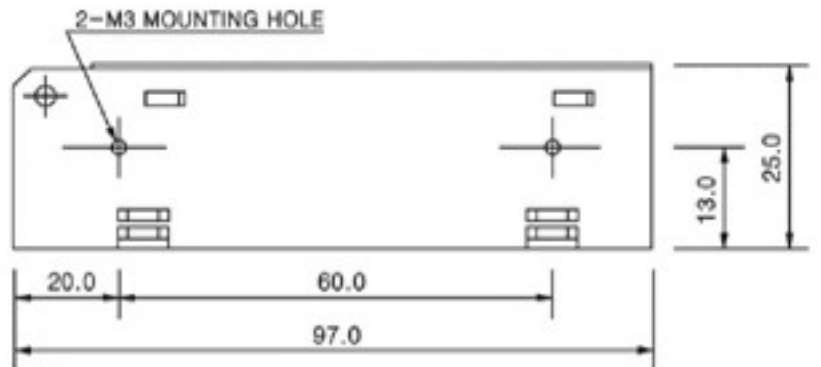
Connector	Single
CN 1	1. AC(L)
	2. AC(N)
	3. FG
	4. -V
	5. +V



## Dimensions



<Bracket>



## NOTES

1. All dimensions are mm.
2. Weight : 210g or less (single)
3. Mounting holes(4) for M3 screw, which should not enter the supply surface by more than 2.5mm.