

1

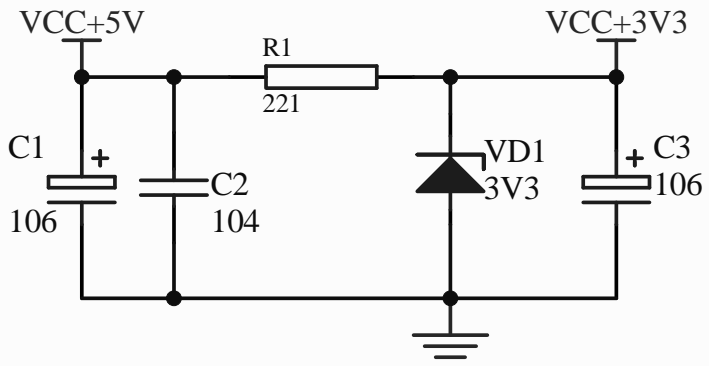
2

3

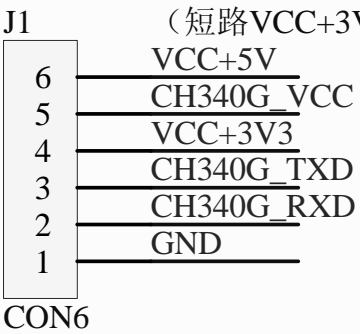
4

A

A



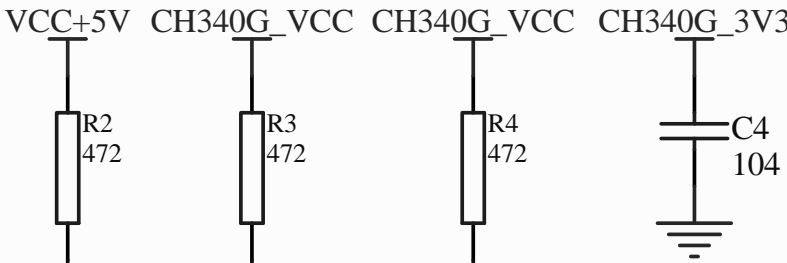
(短路VCC+5V到CH340G_VCC: CH340G供电为5V, TTL电平为5V)
 (短路VCC+3V3到CH340G_VCC: CH340G供电为3V3, TTL电平为3V3)



VCC+5V: 从USB取出来的5V电源
 CH340G_VCC: 模块供电点
 VCC+3V3: 模块稳压出来的3V3电源 (3.0V-3.6V)
 CH340G_TXD: 串行数据输出
 CH340G_RXD: 串行数据输入
 GND: 模块接地 (与目标系统地相连)

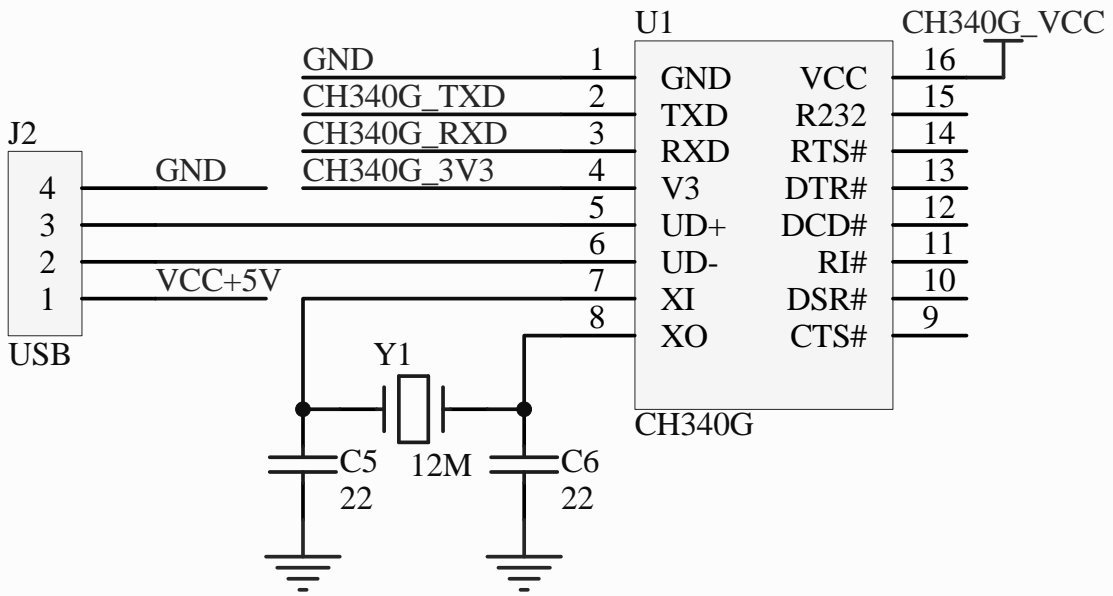
B

B



C

C



D

D

1

2

3

4