

PS310V

Sense and Actuate the future

Proximity Sensor with VCSEL

Description

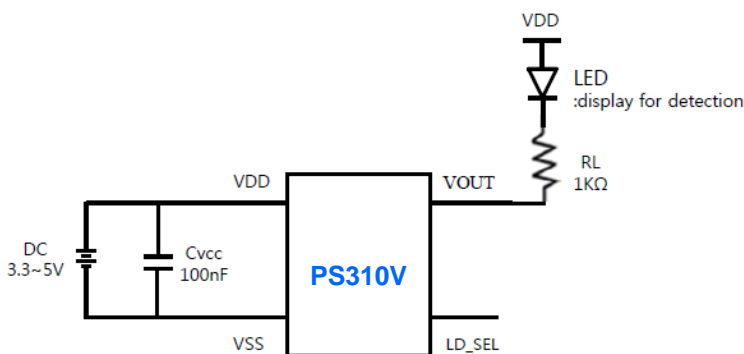
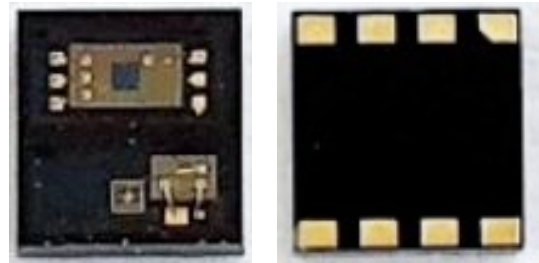
The PS310V is an Logic-output reflective sensor with Built-in infrared emitter, photodiode and signal processing circuit for proximity function. PS310V is an asynchronous type light modulation photo IC designed for reliable detection even under disturbance background light.

Applications

- Contactless Switches
- Industrial Automation
- Sanitary Automation
- Portable and Handheld devices

Features

- Asynchronous detection
- Allowable background illuminance: 2000 lx Min.
- Light detection level: $0.4\mu\text{W}/\text{mm}^2$ Typ.
- Digital output
- Detect objects from near zero to 250mm
- Output type selection available(LD_SEL)
- Compact size 2.5 X 2.7 X 0.9mm (ODFN)



Output type selection input terminal.

- Open: Light ON output
- VSS : Dark ON output

1) When LD_SEL is open,



2) When LD_SEL is connected to VSS,

