

SN Series – Part Numbering



Features

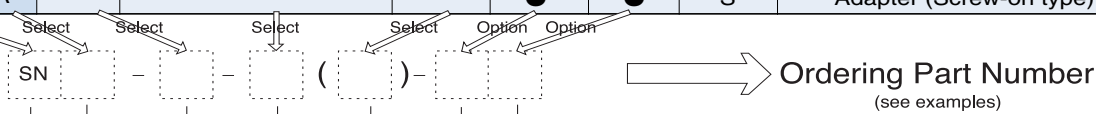
- Push-pull technology
- Miniature circular
- Light weight
- Low cost

Applications

- Professional audio and video
- CCTV system
- Portable wireless radio
- Factory Automation
- Computers and peripherals
- Medical, and much more.

Part Numbering

Part Number Series	Prefix	Size	Number of Contacts	Suffix	Optional Suffix		Contact Type	Notes	Page	
					S	B				
SN		8 or 10	8 size : 4,5,6 10 size : 2,3,4,9,10,12	P/PS		●	P	Plug	36	
				PL		●	P	Right-angle plug	36	
				R	●	●	S	Receptacle	37	
				RPCB	●	●	S	PCB receptacle	37	
				LRPCB	●	●	S	Right-angle PCB receptacle	37	
				P/PS		●	S	Plug	38	
				PL		●	S	Right-angle plug	38	
				R	●	●	P	Receptacle	39	
				RPCB	●	●	P	PCB receptacle	39	
				LRPCB	●	●	P	Right-angle PCB receptacle	39	
	1			P	●	P	Plug (Clamp type)	36		
	1H			P		●	S	Plug (Clamp type)	38	
	A				●	●	S	Adapter	37	
	HA				●	●	P	Adapter	39	
	2			P		●	P	Plug (Screw-on type)	35	
	2A			R	●	●	S	Receptacle (Screw-on type)	35	
						●	●	S	Adapter (Screw-on type)	35



Examples

SN - 8 - 4 (P)

SN series - Size 8 - 4 contact (Plug)

SN - 8 - 6 (RPCB)

SN series - Size 8 - 6 contact (PCB Receptacle)

SN - 8 - 6 (P) - SB

SN series - Size 8 - 6 contact (Plug) - Silver contact & Black plug housing

SN1 - 10 - 12 (R) - S

SN1 series - Size 10 - 12 contact (Receptacle) - Silver contact

SN2A - 10 - 2 - S

SN2A series - Size 10 - 2 contact - Silver contact

SN - 8 - 4 (LRPCB) - S

SN series - Size 8 - 4 contact (Right-angle PCB receptacle) - Silver contact

Connector Series (Prefix)

SN - SN series

SNH - Reverse contact

SN1 - Clamp type plug

SN1H - Clamp type & reverse contact plug

SNA - Adapter for SN series

SNHA - Adapter for SNH series

SN2 - Screw-on type

SN2A - Adapter for SN2 series

Size

8, 10

No. of Contacts

8 Size : 4,5,6

10 Size : 2,3,4,9,10,12

Body Type

P : Plug

PL : Right-angle plug

PS : Short Plug Housing

R : Receptacle (solder termination)

RPCB : Receptacle (PCB termination)

LRPCB : Right-angle Receptacle (PCB)

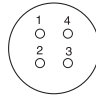
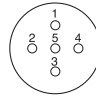
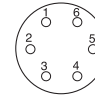
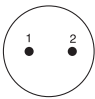
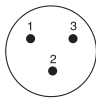
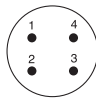
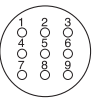
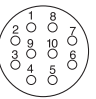
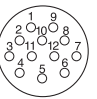
blank : Adapter

Option

S : Silver contact

B : Black plug housing

Major Performances / Contact Arrangements

Size / No. of Contacts		Size 8					
Performance		4	5	6			
Withstanding Voltage (per min) ¹		AC 300V	AC 300V	AC 300V			
Current		2A	2A	2A			
Insulation Resistance (Minimum) ²		1,000MΩ	1,000MΩ	1,000MΩ			
Contact Resistance (Maximum) ³		10mΩ	10mΩ	10mΩ			
Solder Pot Inside Diameter		∅0.7	∅0.7	∅0.7			
Contact Arrangement							
Size / No. of Contacts		Size 10					
Performance		2	3	4	9	10	12
Withstanding Voltage (per min) ¹		AC 500V	AC 500V	AC 500V	AC 300V	AC 300V	AC 300V
Current		3A	3A	3A	2A	2A	2A
Insulation Resistance (Minimum) ²		1,000MΩ	1,000MΩ	1,000MΩ	1,000MΩ	1,000MΩ	1,000MΩ
Contact Resistance (Maximum) ³		10mΩ	10mΩ	10mΩ	10mΩ	10mΩ	10mΩ
Solder Pot Inside Diameter		∅1.0	∅1.0	∅1.0	∅0.7	∅0.7	∅0.7
Contact Arrangement							

- ! ¹ Withstanding voltage is the tested voltage value in this table.
² Insulation resistance is measured at DC 100V.
³ Contact resistance is measured at DC 1A.
 • Values are from tested items and may not apply to all connectors.
 • Specifications subject to change without notice.
 • Consult Sam Woo Electronics for the latest specifications.
⁴ Connector contact arrangement is from mating surface.

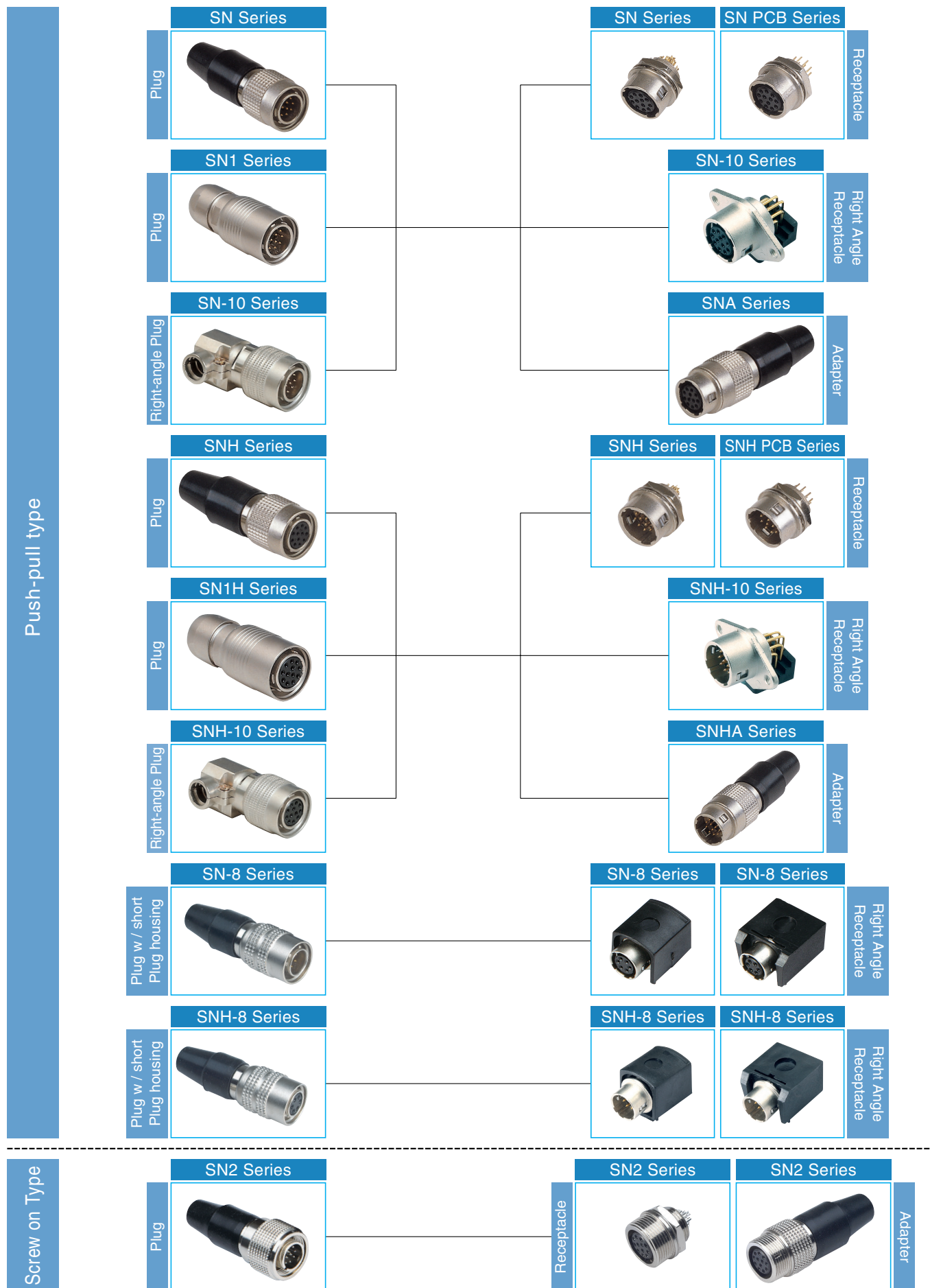
Contact Diameter
 ○ 0.55mm ● 1.0mm

Material Used / Finish

	Material	Finish
Body	Zinc alloy and brass	Ni plate
Insulator	PA	Black
Contacts	Pin	Brass
	Socket	Phosphor bronze
		Gold or Silver plate

Specifications subject to change without notice. Consult Sam Woo Electronics for the latest specifications.

SN Series – Mini-map

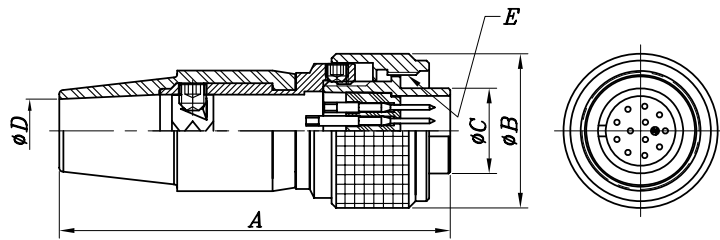


Specifications subject to change without notice. Consult Sam Woo Electronics for the latest specifications.

SN2 Plug



SN2-10-12(P)

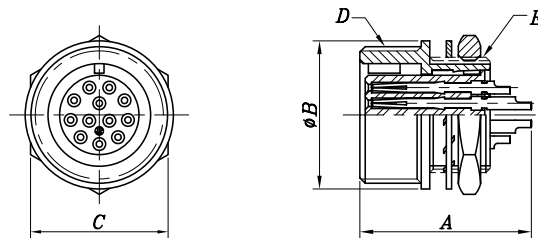


Part Number	A	ØB	ØC	ØD	E	Part Number	A	ØB	ØC	ØD	E
SN2-8-4 (P)		Coming soon				SN2-10-2 (P)	43.0	17.0	9.4	7.0	M13×0.75P
SN2-8-5 (P)											
SN2-8-6 (P)											
SN2-10-3 (P)											
SN2-10-4 (P)											
SN2-10-9 (P)											
SN2-10-10 (P)											
SN2-10-12 (P)											

SN2 Receptacle



SN2-10-12(R)

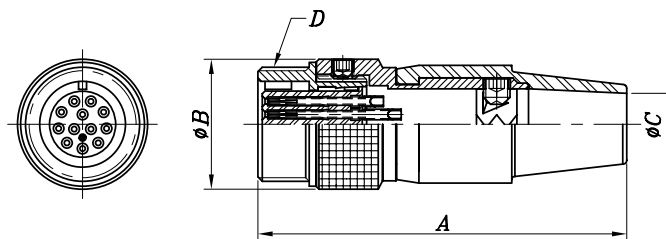


Part Number	A	ØB	C	D	E	Part Number	A	ØB	C	D	E
SN2-8-4 (R)		Coming soon				SN2-10-2 (R)	16.5	14	13	M13×0.75P	M11×0.75P
SN2-8-5 (R)											
SN2-8-6 (R)											
SN2-10-3 (R)											
SN2-10-4 (R)											
SN2-10-9 (R)											
SN2-10-10 (R)											
SN2-10-12 (R)											

SN2A Adapter



SN2A-10-12

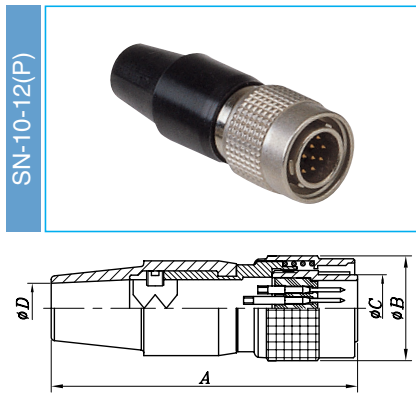


Part Number	A	ØB	ØC	D	Part Number	A	ØB	ØC	D
SN2A-8-4 (P)		Coming soon			SN2A-10-2 (R)	41.7	14.7	7.0	M13×0.75P
SN2A-8-5 (P)									
SN2A-8-6 (P)									
SN2A-10-3 (R)									
SN2A-10-4 (R)									
SN2A-10-9 (R)									
SN2A-10-10 (R)									
SN2A-10-12 (R)									

Specifications subject to change without notice. Consult Sam Woo Electronics for the latest specifications.

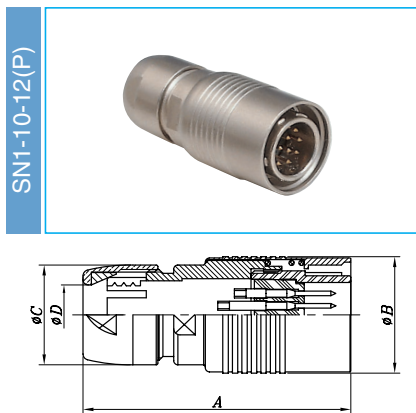
SN Series – SN Plug

SN Plug



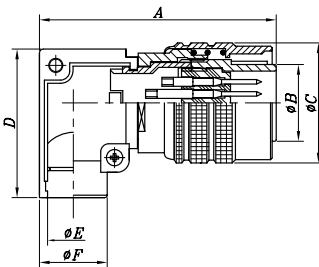
Part Number	A	ØB	ØC	ØD
SN-8-4(P)	35	11.5	7	5
SN-8-5(P)				
SN-8-6(P)				
SN-10-2(P)	43	14.9	9.4	7
SN-10-3(P)				
SN-10-4(P)				
SN-10-9(P)				
SN-10-10(P)				
SN-10-12(P)				

SN1 Plug



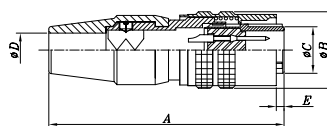
Part Number	A	ØB	ØC	ØD
SN1-8-4(P)	28	11.0	9.0	5.2
SN1-8-5(P)				
SN1-8-6(P)				
SN1-10-2(P)	32	14.0	12.0	7.2
SN1-10-3(P)				
SN1-10-4(P)				
SN1-10-9(P)				
SN1-10-10(P)				
SN1-10-12(P)				

SN Right-Angle Plug



Part Number	A	ØB	ØC	D	ØE	ØF
SN-8-4(PL)	25.9	7.0	11.5	14.6	5.0	6.6
SN-8-5(PL)						
SN-8-6(PL)						
SN-10-9(PL)	29.0	9.4	14.9	18.2	6.3	8.3
SN-10-10(PL)						
SN-10-12(PL)						

SN Plug (Short plug housing)



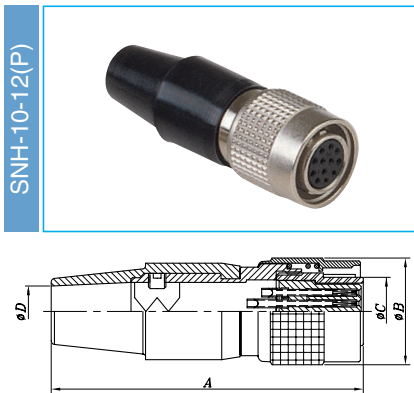
Part Number	A	ØB	ØC	ØD	E
SN-8-4(PS)	35.0	11.5	7.0	5.1	0.6
SN-8-6(PS)					

! SN Plug (Short plug housing) only mates with SN-8-4(LRPCB)K, SN-8-6(LRPCB)K, SN-8-4(LRPCB)K1, SN-8-6(LRPCB)K1.

Specifications subject to change without notice. Consult Sam Woo Electronics for the latest specifications.

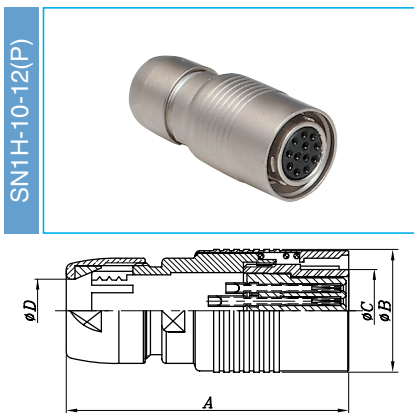
SN Series – SNH Plug

SNH Plug



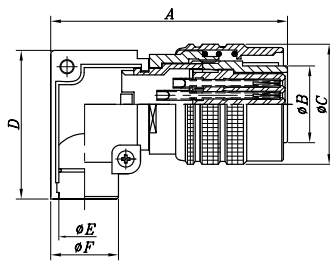
Part Number	A	ØB	ØC	ØD
SNH-8-4(P)	35	11.5	7	5
SNH-8-5(P)				
SNH-8-6(P)				
SNH-10-2(P)	43	14.9	9.4	7
SNH-10-3(P)				
SNH-10-4(P)				
SNH-10-9(P)				
SNH-10-10(P)				
SNH-10-12(P)				

SN1H Plug



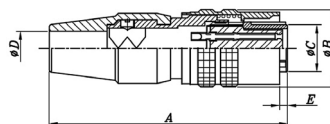
Part Number	A	ØB	ØC	ØD
SN1H-8-4(P)	28	11.0	9.0	5.2
SN1H-8-5(P)				
SN1H-8-6(P)				
SN1H-10-2(P)	32	14.0	12.0	7.2
SN1H-10-3(P)				
SN1H-10-4(P)				
SN1H-10-9(P)				
SN1H-10-10(P)				
SN1H-10-12(P)				

SNH Right Angle Plug



Part Number	A	ØB	ØC	D	ØE	ØF
SNH-8-4(PL)	25.9	7.0	11.5	14.6	5.0	6.6
SNH-8-5(PL)						
SNH-8-6(PL)						
SNH-10-9(PL)	29.0	9.4	14.9	18.2	6.3	8.3
SNH-10-10(PL)						
SNH-10-12(PL)						

SNH Plug (Short plug housing)



Part Number	A	ØB	ØC	ØD	E
SNH-8-4(PS)	35.0	11.5	7.0	5.1	0.6
SNH-8-6(PS)					

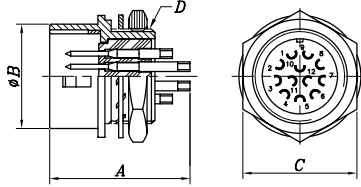
! SNH Plug (Short plug housing) only mates with SNH-8-4(LRPCB)K, SNH-8-6(LRPCB)K, SNH-8-4(LRPCB)K1, SNH-8-6(LRPCB)K1.

Specifications subject to change without notice. Consult Sam Woo Electronics for the latest specifications.

SNH Receptacle / Adapter – SN Series

SNH Receptacle

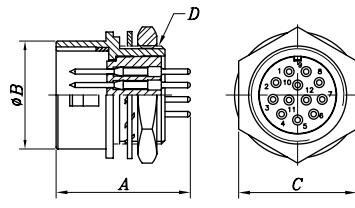
SNH-10-12(R)



Part Number	A	ØB	C	D
SNH-8-4 (R)				
SNH-8-5 (R)	14.2	8.8	10.0	M8×0.5P
SNH-8-6 (R)				
SNH-10-2(R)				
SNH-10-3(R)				
SNH-10-4(R)	16.2	11.9	13.0	M11×0.75P
SNH-10-9(R)				
SNH-10-10(R)				
SNH-10-12(R)				

SNH PCB Receptacle

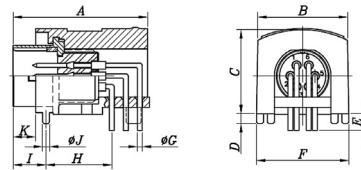
SNH-10-12(RPCB)



Part Number	A	ØB	C	D
SNH-8-4(RPCB)				
SNH-8-5(RPCB)	15	8.8	10	M8×0.5P
SNH-8-6(RPCB)				
SNH-10-2(RPCB)				
SNH-10-3(RPCB)				
SNH-10-4(RPCB)	15	11.9	13	M11×0.75P
SNH-10-9(RPCB)				
SNH-10-10(RPCB)				
SNH-10-12(RPCB)				

SNH Right Angle PCB Receptacle (Any Type)

SNH-8-6(LRPCB)K

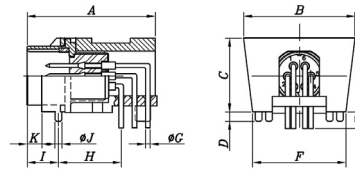


Part Number	A	B	C	D	E	F	ØG	H	I	ØJ	K
SNH-8-4(LRPCB)K	19.2	12.8	12.0	1.3	2.4	13.2	0.7	9.4	4.7	1.0	3.2
SNH-8-6(LRPCB)K											

! SNH-8-4(LRPCB)K, SNH-8-6(LRPCB)K only mates with SNH-8-4(PS), SNH-8-6(PS) plugs.

SNH Right Angle PCB Receptacle (Magic Type)

SNH-8-6(LRPCB)K1

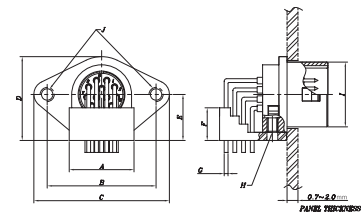


Part Number	A	B	C	D	E	F	ØG	H	I	ØJ	K
SNH-8-4(LRPCB)K1	19.2	16.7	11.0	1.3	2.4	14.0	0.7	9.4	4.7	1.0	2.2
SNH-8-6(LRPCB)K1											

! SNH-8-4(LRPCB)K1, SNH-8-6(LRPCB)K1 only mates with SNH-8-4(PS), SNH-8-6(PS) plugs.

SNH Right Angle PCB Receptacle

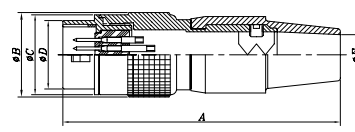
SNH-10-12(LRPCB)



Part Number	A	B	C	D	E	F	ØG	H	ØI	J
SNH-10-12(LRPCB)	11.9	20	24.9	15.4	8.5	6	0.7	M2.0 ×0.4P	11.9	M2.6 ×0.45P

SNHA Adapter

SNHA-10-12



Part Number	A	ØB	ØC	ØD	ØE
SNHA-8-4					
SNHA-8-5	40.2	11.5	10.9	8.8	5.1
SNHA-8-6					
SNHA-10-2					
SNHA-10-3					
SNHA-10-4	48.0	14.9	13.9	11.9	7.0
SNHA-10-9					
SNHA-10-10					
SNHA-10-12					

Specifications subject to change without notice. Consult Sam Woo Electronics for the latest specifications.

SN Series – Cable Assembly Instruction

General Instruction / Information

- Diagram 1 shows a sample wiring for SN series.
- Soldering must be done quickly and carefully to prevent damage to insulator.
- Receptacles do not require additional instructions.

Wiring Sequence

- ① Select cable according to outer diameter and cross section, lower than 0.129mm²(AWG#26).
- ② Insert RUBBER BUSHING to cable.
- ③ Insert PLUG HOUSING to cable.
- ④ Strip cable per dimension given and loosen braid.
- ⑤ Secure PLUG BODY to jig for soldering.
- ⑥ Solder stripped cable to pin.
- ⑦ Fasten CRIMP using hand crimp tool (SA-HCT^①)
- ⑧ Lock PLUG HOUSING and PLUG BODY using tightening force displayed on Table 1.
- ⑨ Tighten WRENCH BOLT using 0.3N force onto one of two embossed parts of crimp.
- ⑩ Cover RUBBER BUSHING onto PLUG HOUSING.

^① See below for information on SA-HCT.

Diagram 1

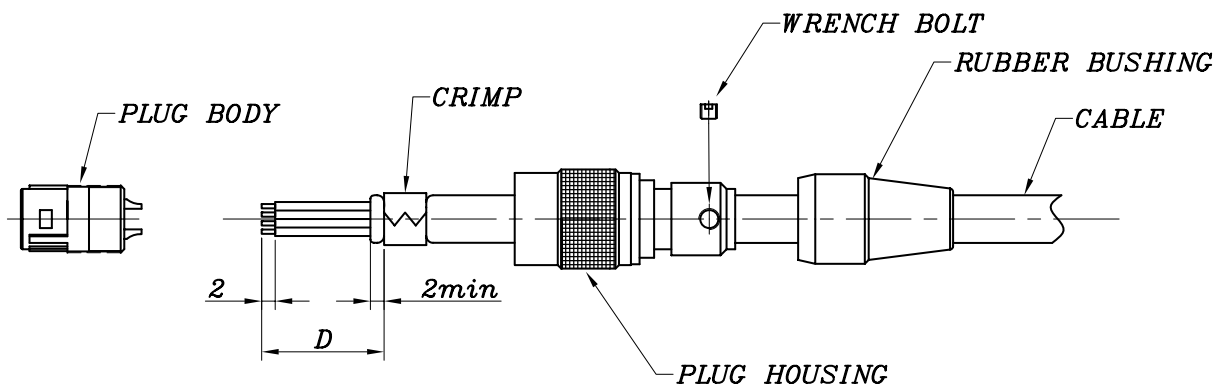


Table 1

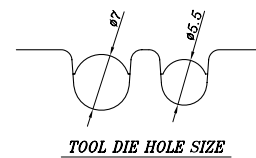
unit : mm

Size	Spanner Jaw	D (Dimension)	Tightening Force	Notes
SN - 8	8	10	1.5N · m (15kgf · cm)	SA-HCT size Ø5.5
SN - 10	10	16	2.0N · m (20kgf · cm)	SA-HCT size Ø7.0

SA-HCT (Hand Crimp Tool)

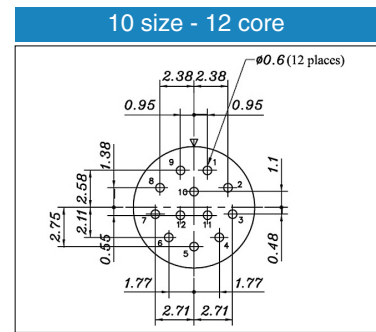
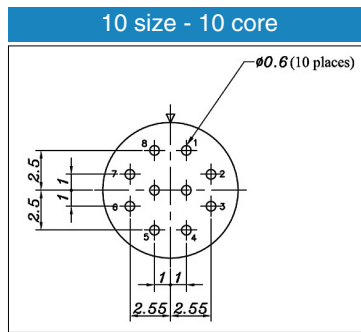
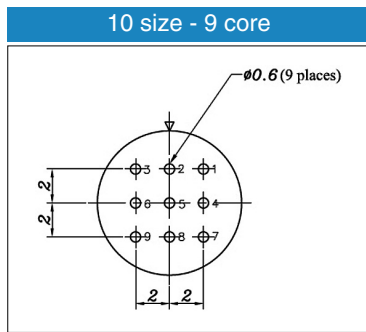
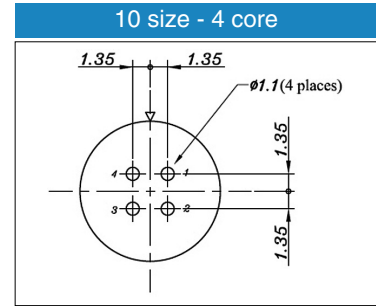
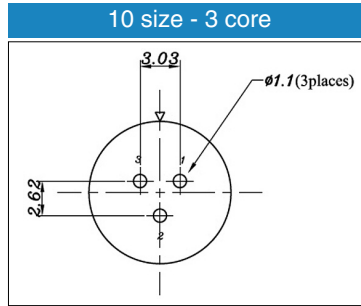
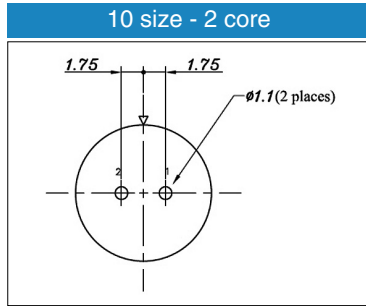
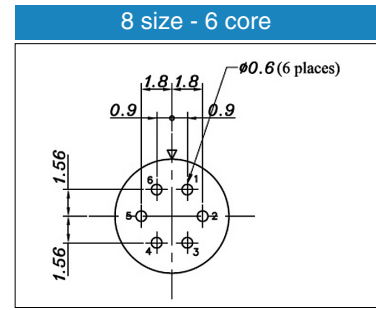
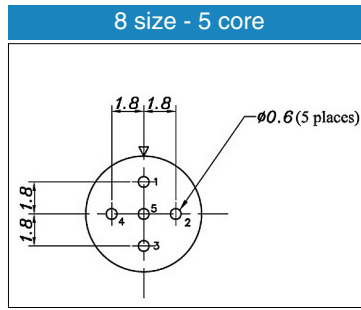
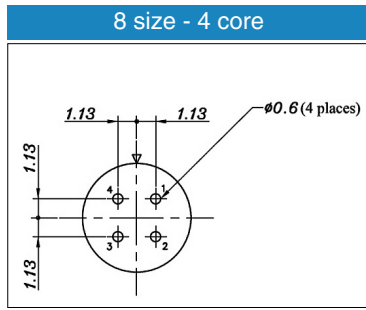


Specially designed for Sam Woo's connector, the low-cost and efficient SA-HCT provides the best crimping results.

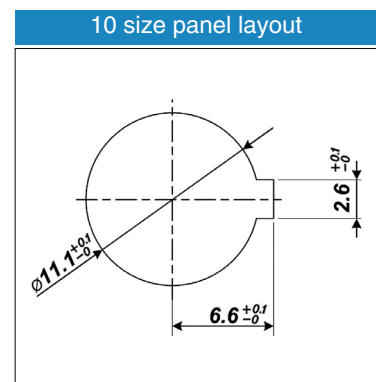
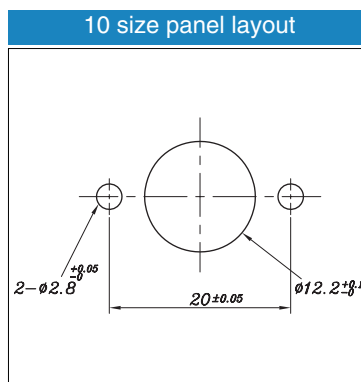
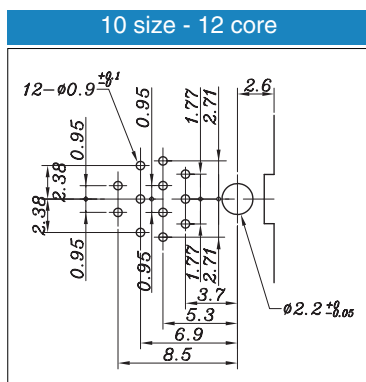
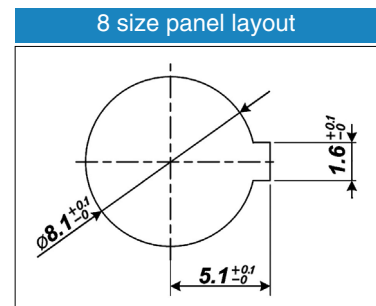
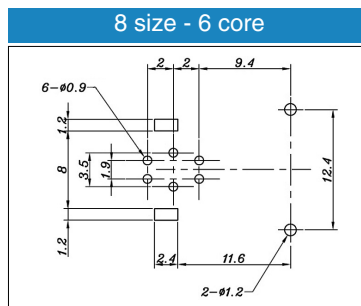
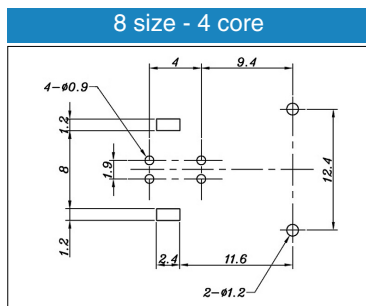


Specifications subject to change without notice. Consult Sam Woo Electronics for the latest specifications.

SN Receptacle PCB Hole Layout



SN Receptacle Right Angle PCB Hole Layout



Specifications subject to change without notice. Consult Sam Woo Electronics for the latest specifications.