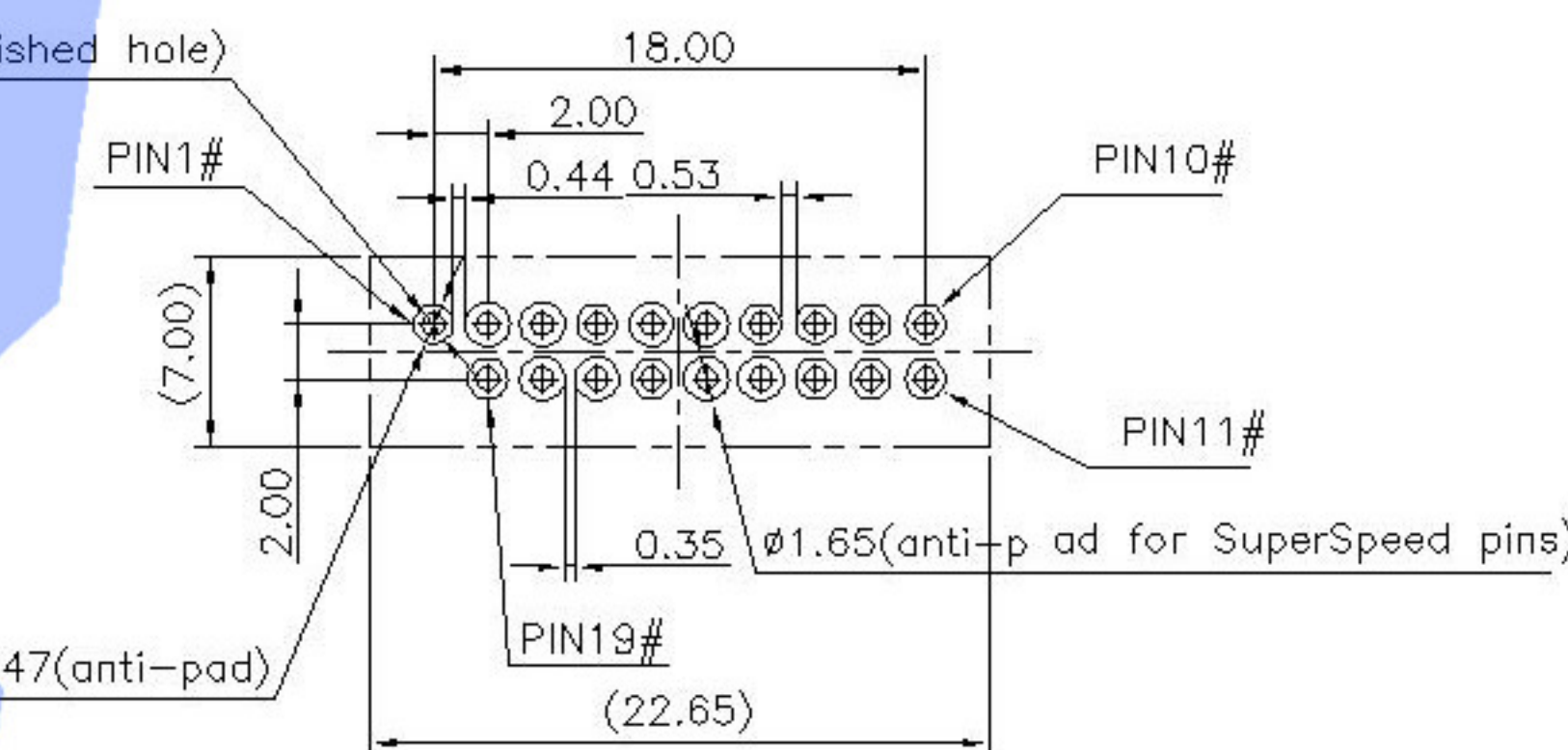
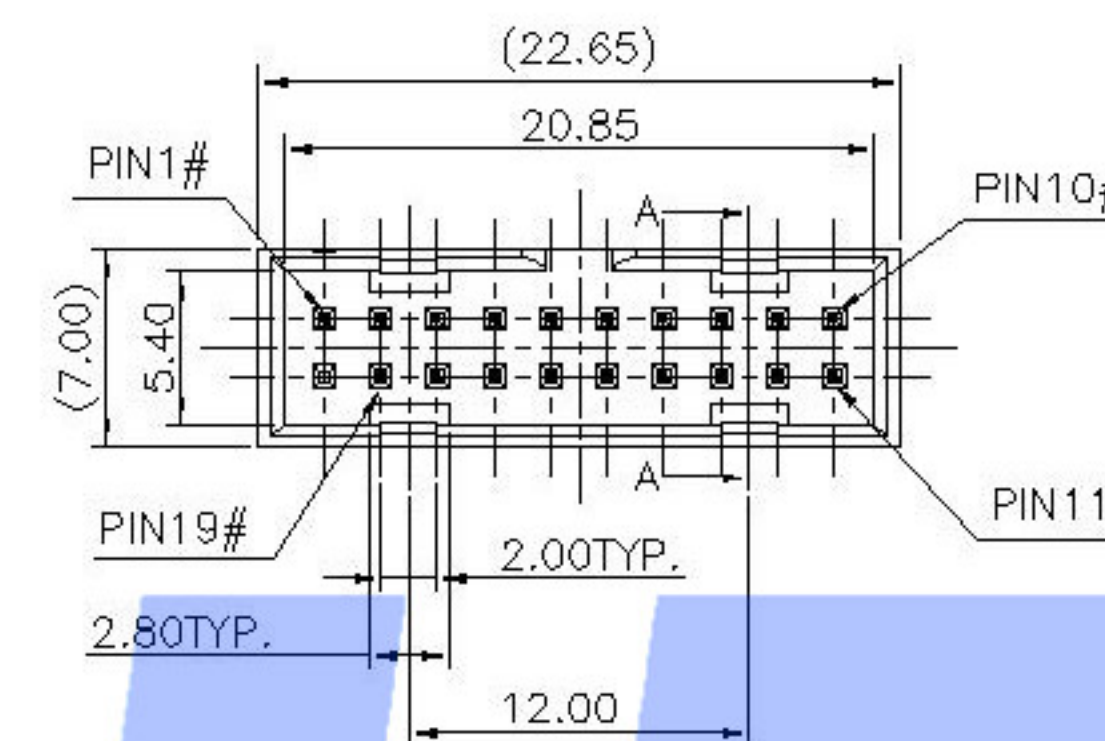
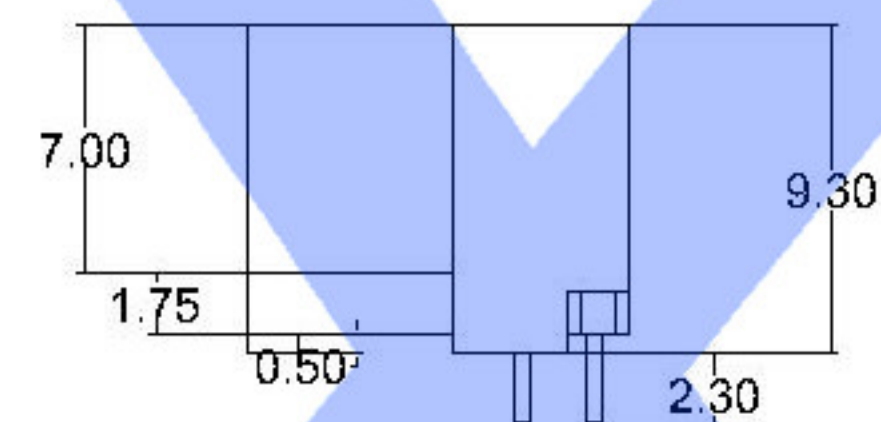
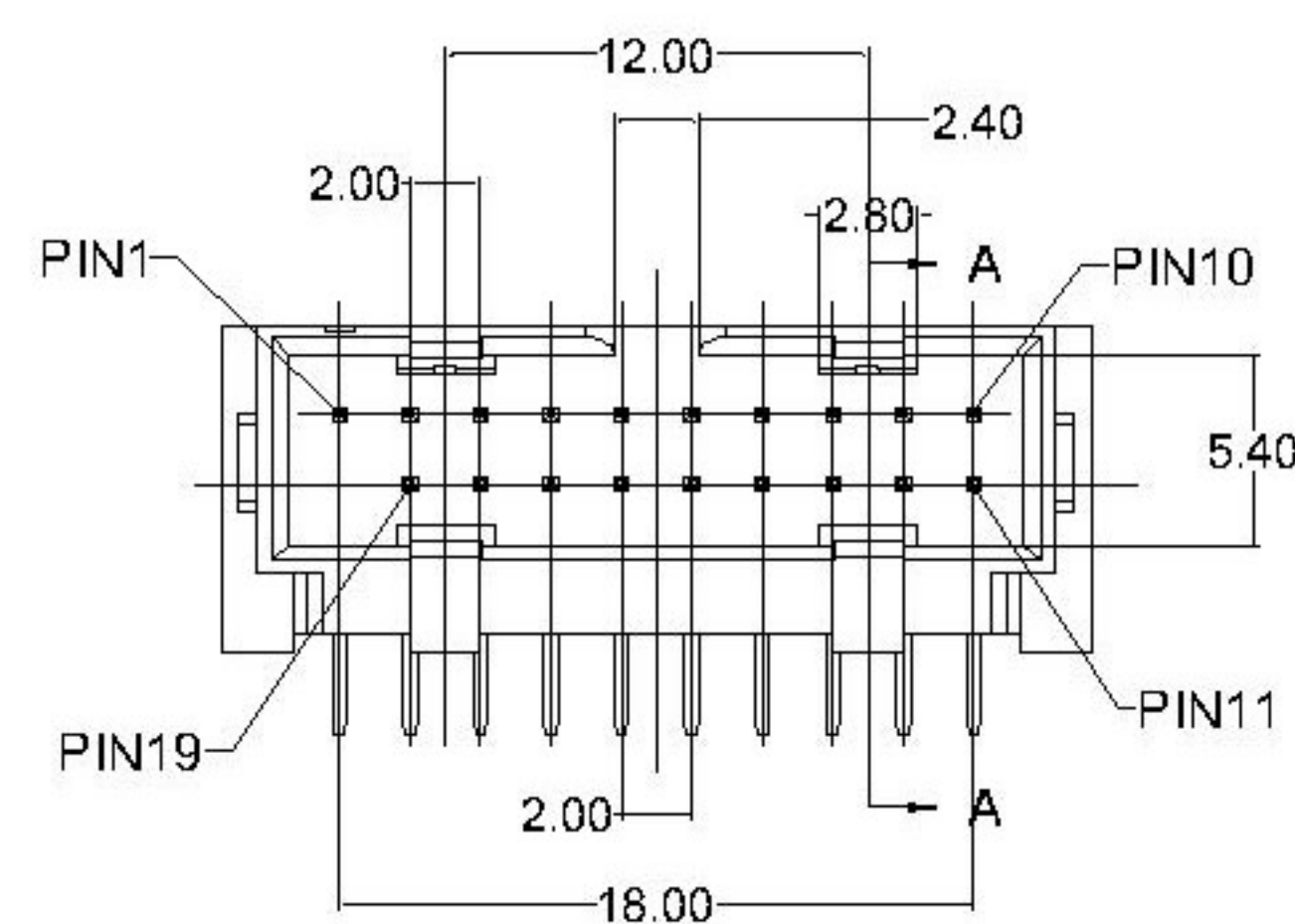


SECTION A-A(1:1)

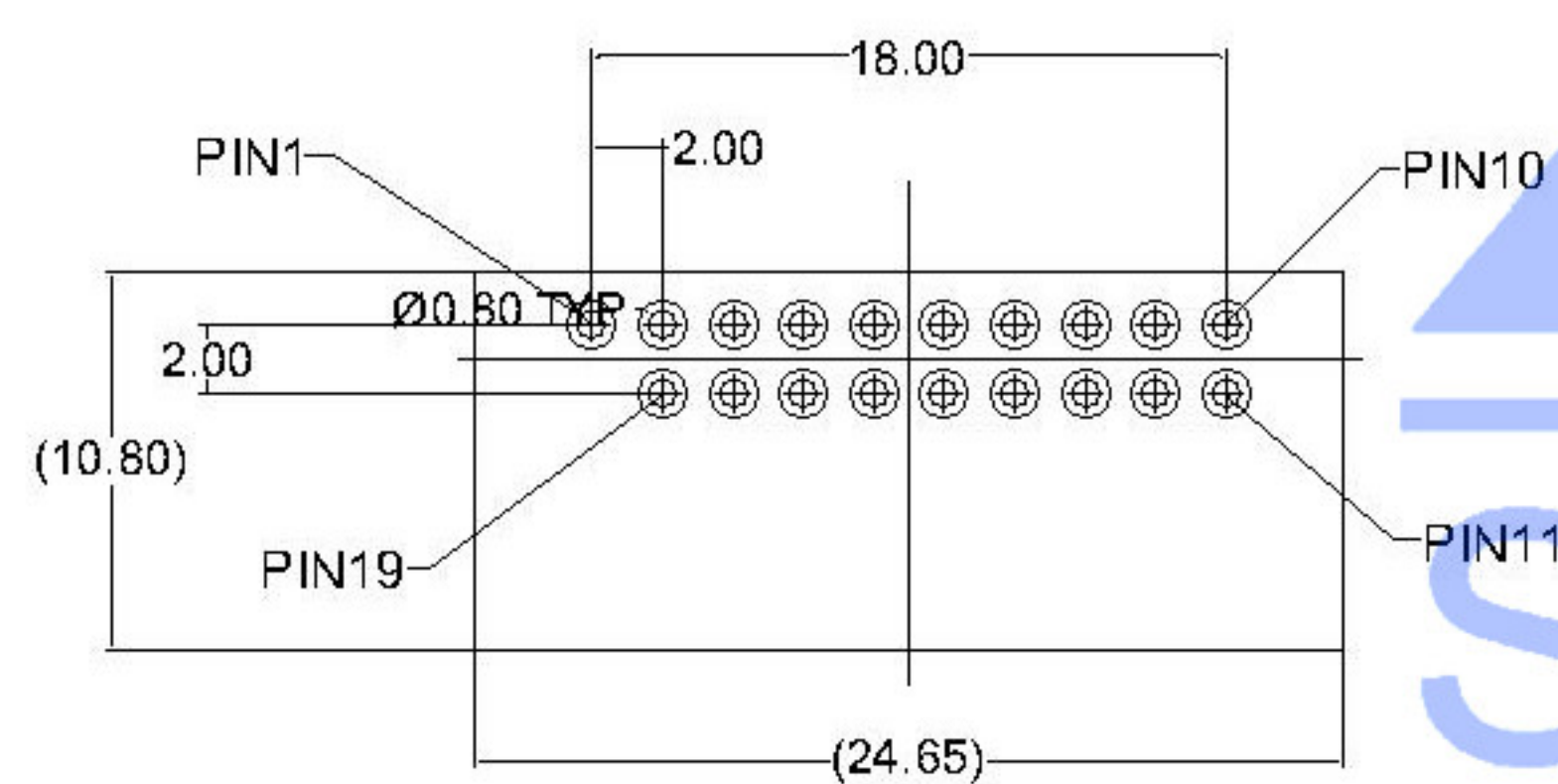


RECOMMENDED PCB LAYOUT
PCB THICKNESS IS 1.60mm
DEFAULT TOLERANCE ±0.05

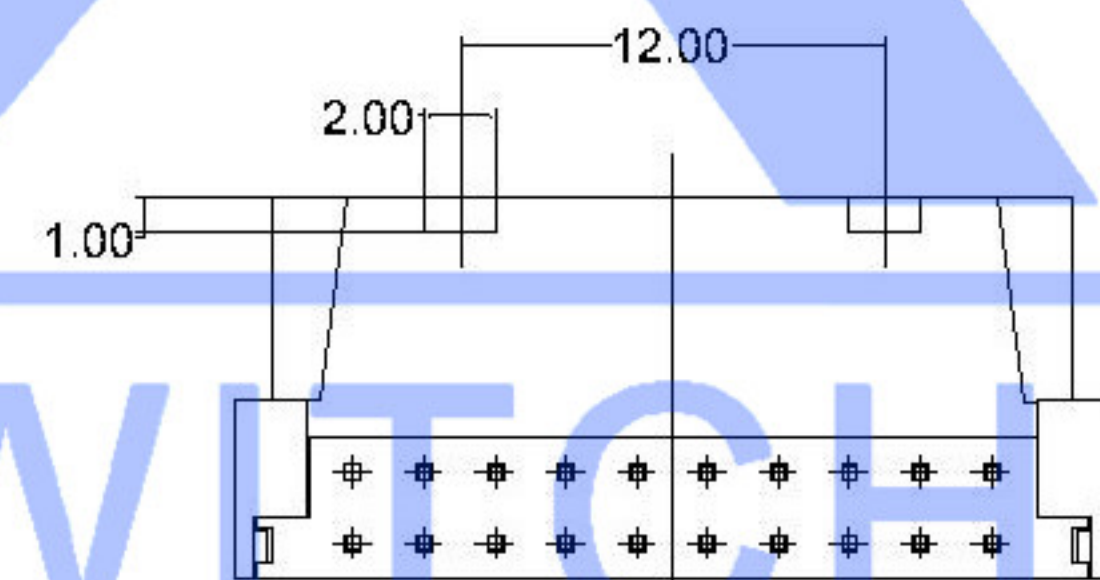


B

A



RECOMMENDED PCB LAYOUT
PCB THICKNESS IS 1.60mm
DEFAULT TOLERANCE ±0.05

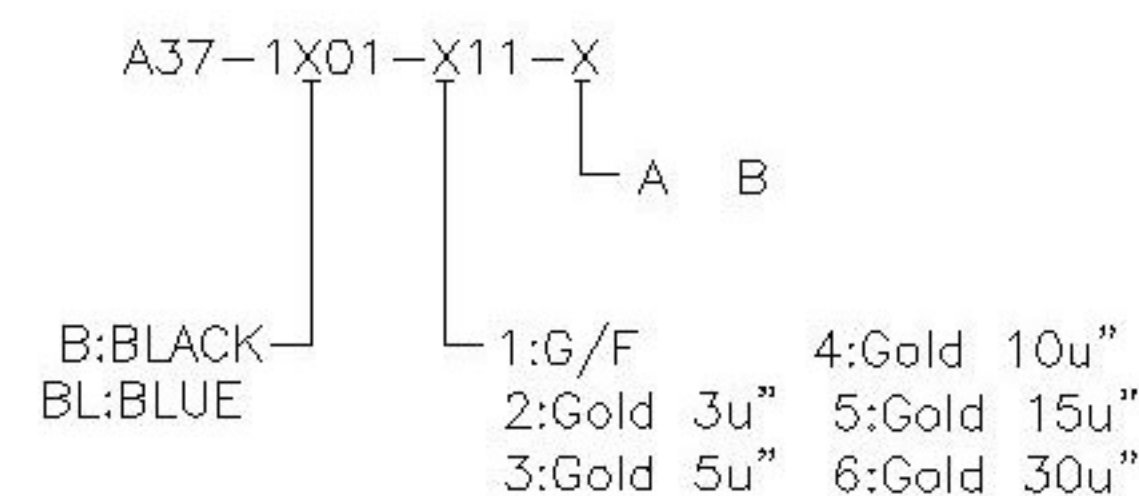


SWITCH CONNECTOR

NOTES:

- ELECTRICAL:
 - CURRENT RATING: 1.5AMP;
 - INSULATION RESISTANCE: 100MΩ MIN;
 - CONTACT RESISTANCE: 30mΩ MAX;
 - WITHSTANDING VOLTAGE: 100V AC;
 - OPERATING TEMPERATURE: -25°C ~ +75°C.
- Mechanical:
 - Mating Force: 35N MAX
 - Unmating Force: 10N MIN.
- DIMENSIONS MARKED "▼" TO BE CHECKED BY Q.C & IPQC.

4. PART NO.



MARK	DESCRIPTION	DATE	REVISED	APPROVED	UNSPECIFIED TOLERANCES	DSND	DATE	SCALE: N/A	MODEL TYPE:		
ΔX					ANGLAR ±5°	DWN	DATE	VIEW:	PART NO.:		
ΔX					L ≤ 4 ±0.2	CHKD	DATE	UNIT: mm	DWG NO.:		
ΔX					4 < L ≤ 16 ±0.3	APPD	DATE	SIZE: A4	A37-1X01-X11-X		
					16 < L ≤ 63 ±0.4				WEIGHT	SHEET	REVISION
					L > 63 ±0.5				1.0g	1/1	A0
						XKB INDUSTRIAL PRECISION CO., LIMITED					