

Pin	Signal Name	Mating Sequence	Pin	Signal Name	Mating Sequence
A1	GND	First	B12	GND	First
A2	SSTXp1	Second	B11	SSRXp1	Second
A3	SSTXn1	Second	B10	SSRXn1	Second
A4	V <sub>bus</sub>	First	B9	V <sub>bus</sub>	First
A5	CC1	Second	B8	SBU2	Second
A6	Dp1	Second	B7	Dn2	Second
A7	Dn1	Second	B6	Dp2	Second
A8	SBU1	Second	B5	CC2	Second
A9	V <sub>bus</sub>	First	B4	V <sub>bus</sub>	First
A10	SSRXn2	Second	B3	SSTXn2	Second
A11	SSRXp2	Second	B2	SSTXp2	Second
A12	GND	First	B1	GND	First
SHELL	GND		SHELL	GND	

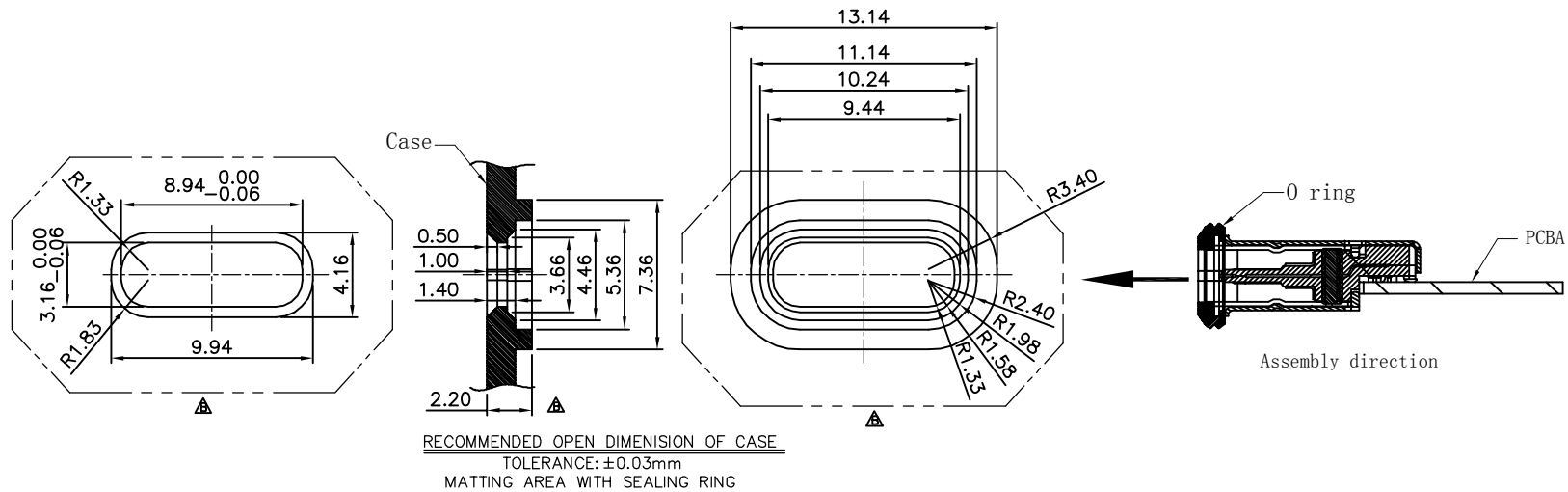
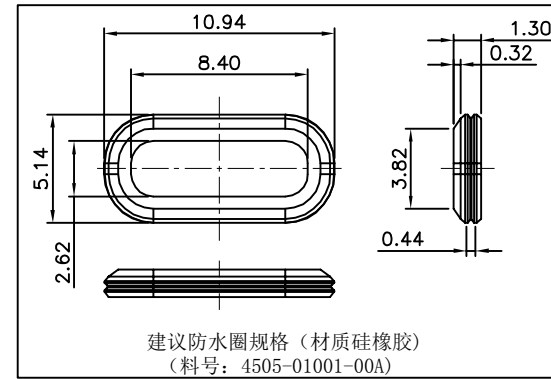
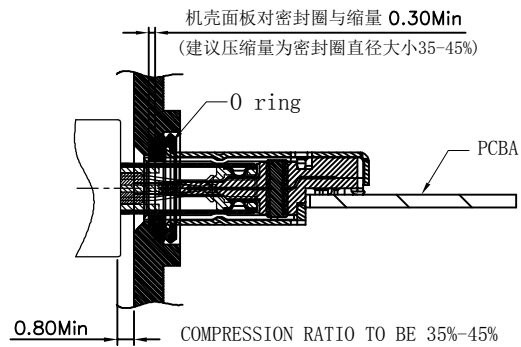
NOTE:  
 1.MATERIAL:  
 1.1 INSULATOR: HIGH TEMPERATURE PLASTIC UL 94 V-0;  
 1.2 CONTACT: COPPER ALLOY(T=0.15mm)  
 1.3 SHELL:STAINLESS STEEL(T=0.20mm)  
 2.ELECTRICAL CHARACTERISTICS:  
 2.1 CONTACT RESISTANCE: 40mΩ Max FOR INITIAL. 10mΩ CHANGE AFTER TEST. MEASURE AT 20mV, 100mA.  
 2.2 CONTACT CURRENT RATING: 5A FOR COLLECTIVELY POWER SUPPLY PIN(PINA1,A4,A9,A12,B1,B4,B9,B12); 1.25A FOR V<sub>CONN</sub> PIN; 0.25A FOR OTHER SIGNAL PIN.  
 2.3 DIELECTRIC WITHSTANDING VOLTAGE: 100V AC R.M.S.  
 2.4 INSULATION RESISTANCE 100MΩ Min  
 2.5 OPERATING TEMPERATURE: -40°C ~ 85°C  
 3 MECHANICAL CHARACTERISTICS:  
 3.1 MATING FORCE: 5~20 N.  
 3.2 UNMATED FORCE: 6~20N AFTER TEST  
 3.3 DURABILITY: 10,000 CYCLES  
 4.PLATING  
 4.1 TERMINAL CONTACT: (SEE TAB) GOLD PLATING ALL OVER 50u" Min NICKEL AND 80u"Min Tin ALL OVER 50u" Min NICKEL ON SOLDER AREA  
 4.2 OUT SHELL: 50u" Min. NICKEL ALL OVER  
 4.3 INNER SHELL: DEGREASE  
 5.PART NUMBER:  
 USB31-TYPEC-32X41- XFS

- 1: Tray
- 2: Tape real
- 41: IPX7
- 52: IP54
- 53: 不防水
- 1: G/F
- 2: 5u"
- 3: 10u"
- 4: 15u"
- 5: 30u"

RECOMMEND P.C.B LAYOUT(COMPONENT SIDE)  
 TOLERANCE FOR PCB LAYOUT IS ±0.05  
 KEEP OUT AREA

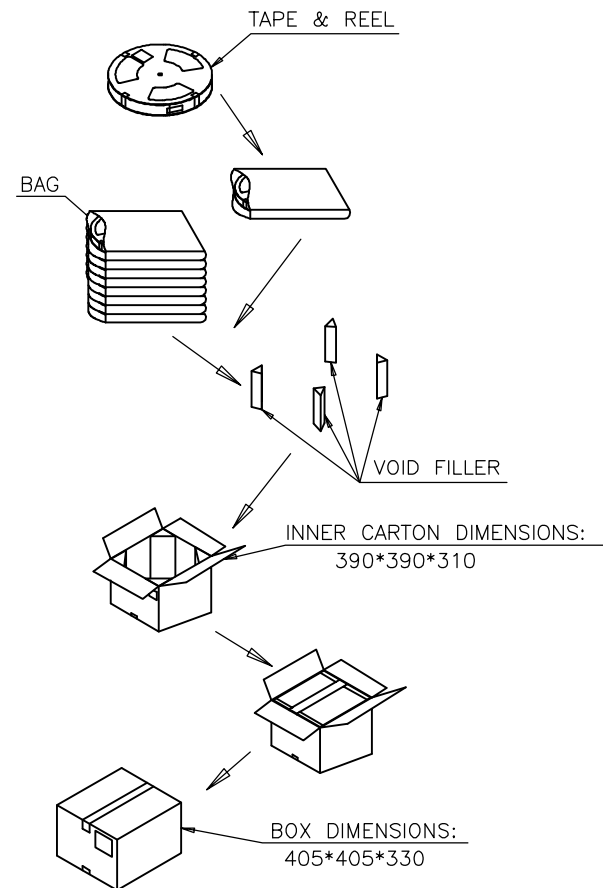
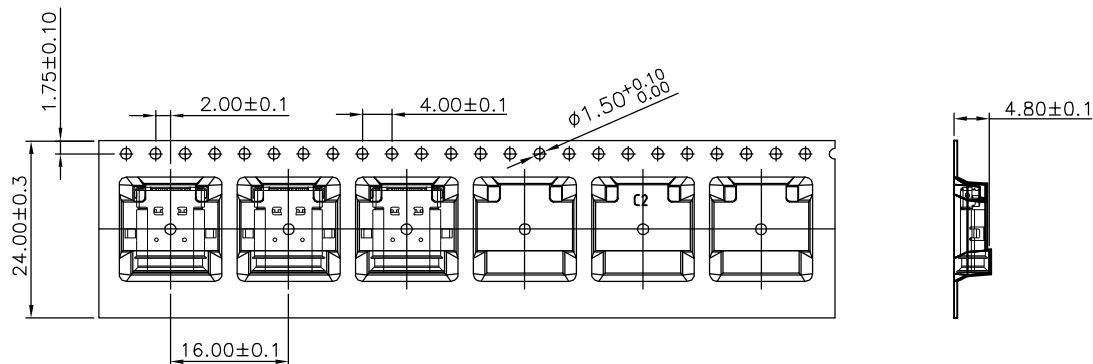
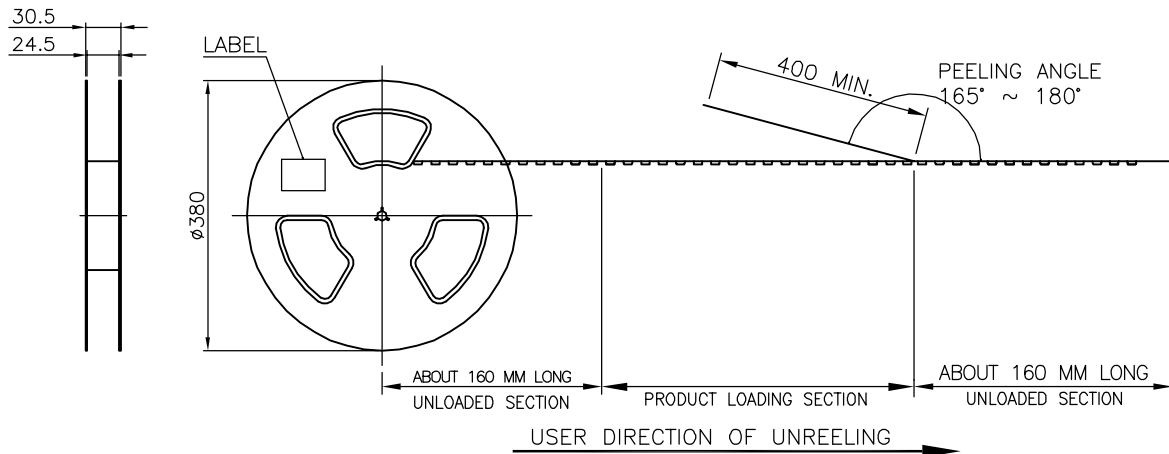
DSND		DATE		SCALE: N/A	MODEL TYPE: USB 3.1 CF WATERPROOF CL1.75 H3.46mm DIP TYPE	
DWN		DATE		VIEW:	PART NO.:	
CHKD		DATE		UNIT: mm	DWG NO.:	
APPD		DATE		SIZE: A4	USB31-TYPEC-32X41-XFS	
XKB INDUSTRIAL PRECISION CO.,LIMITED				WEIGHT	SHEET	REVISION
				1.0g	1/1	A0

MARK	DESCRIPTION	DATE	REVISED	APPROVED	ANGULAR	±5°
ΔX					L ≤ 4	±0.2
ΔX					4 < L ≤ 16	±0.3
ΔX					16 < L ≤ 63	±0.4
MARK					L > 63	±0.5
REVISIONS					UNSPECIFIED TOLERANCES	
www.xk-dg.cn www.helloxkb.com www.helloxkb.cn						



MARK	DESCRIPTION	DATE	REVISED	APPROVED	UNSPECIFIED TOLERANCES
	REVISIONS				
	www.xk-dg.cn	www.helloxkb.com	www.helloxkb.cn		

DSND		DATE		SCALE: N/A	MODEL TYPE: USB 3.1 CF WATERPROOF Cl.1.75 H3.46mm DIP TYPE
DWN		DATE		VIEW:	PART NO.:
CHKD		DATE		UNIT: mm	DWG NO.:
APPD		DATE		SIZE: A4	USB31-TYPEC-32X41-XFS
XKB INDUSTRIAL PRECISION CO., LIMITED				WEIGHT	SHEET
				1.0g	1/1
				REVISION	A0



**NOTE:**

**1.MATERIAL:**

- BOX: FIBREBOARD, CORRUGATED, DOUBLE WALL.
- TAPE: POLYSTYRENES, HEAT-RESISTANT TEMPERATURE: 120°C, BLACK COLOR.
- REEL: POLYSTYRENES, HEAT-RESISTANT TEMPERATURE: 70°C, BLUE COLOR.
- BAG: POLYETHYLENE, HEAT-RESISTANT TEMPERATURE: 100°C.

2.PEELING STRENGTH: 0.1 ~ 1.3 N (10 ~ 130 GRAMS)

3.PEELING SPEED: 300 mm/min.

4.EACH BAG SHALL BE INCLUDED DESICCANT.

1000	10	10000 PCS	-- KG	-- KG
PCS/ REEL	REELS/ CARTON	QUANTITY	GROSS WEIGHT	NET WEIGHT

							DSND		DATE		SCALE: N/A	MODEL TYPE: USB 3.1 CF WATERPROOF CL1.75 H3.46mm DIP TYPE	
							ANGLAR		DATE		VIEW:	PART NO.:	
							$L \leq 4$		DATE		UNIT: mm	DWG NO.:	
							$4 < L \leq 16$		DATE		SIZE: A4	USB31-TYPEC-32X41-XFS	
							$16 < L \leq 63$		DATE				
							$L > 63$						
							UNSPECIFIED TOLERANCES		XKB INDUSTRIAL PRECISION CO.,LIMITED		WEIGHT	SHEET	REVISION
											1.0g	1/1	A0