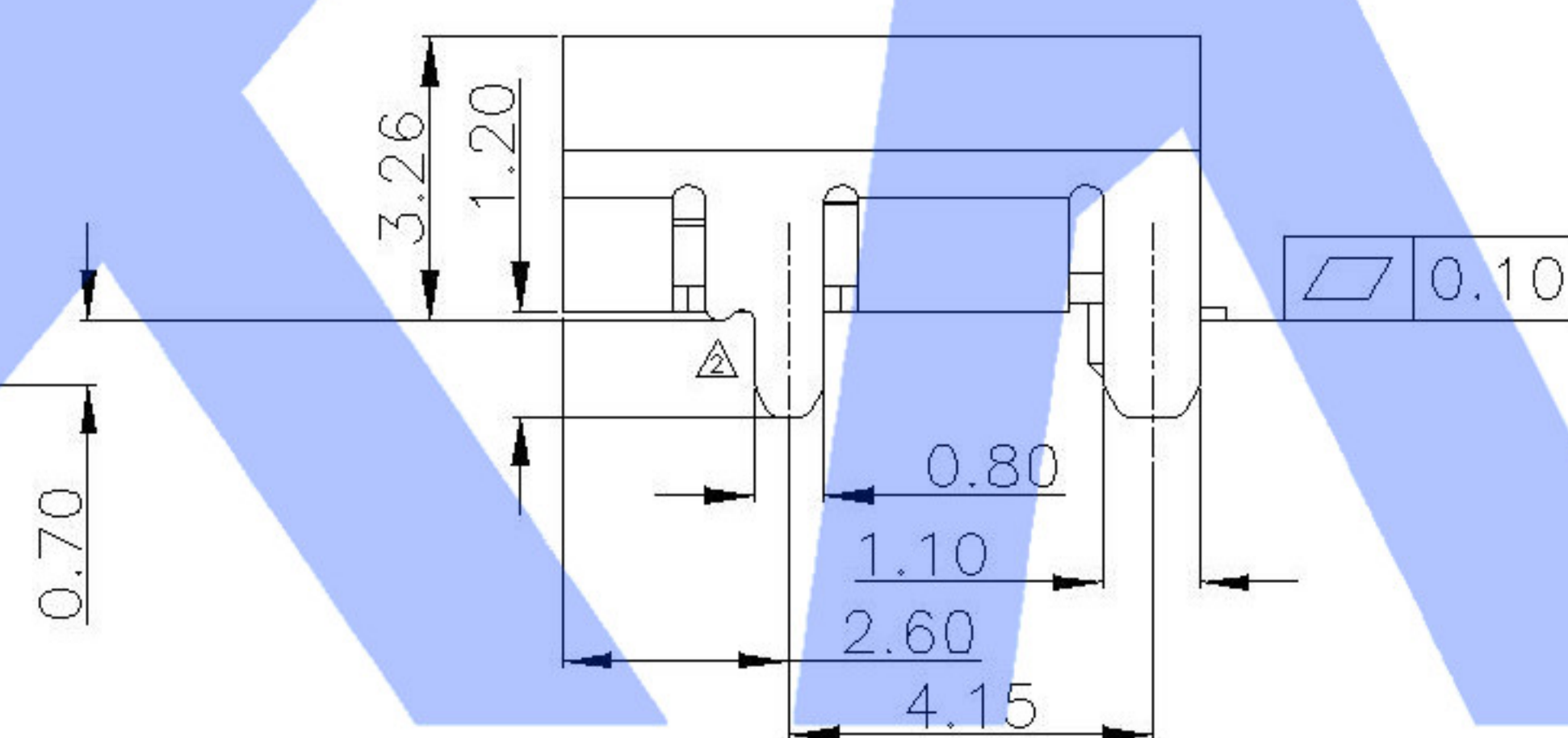
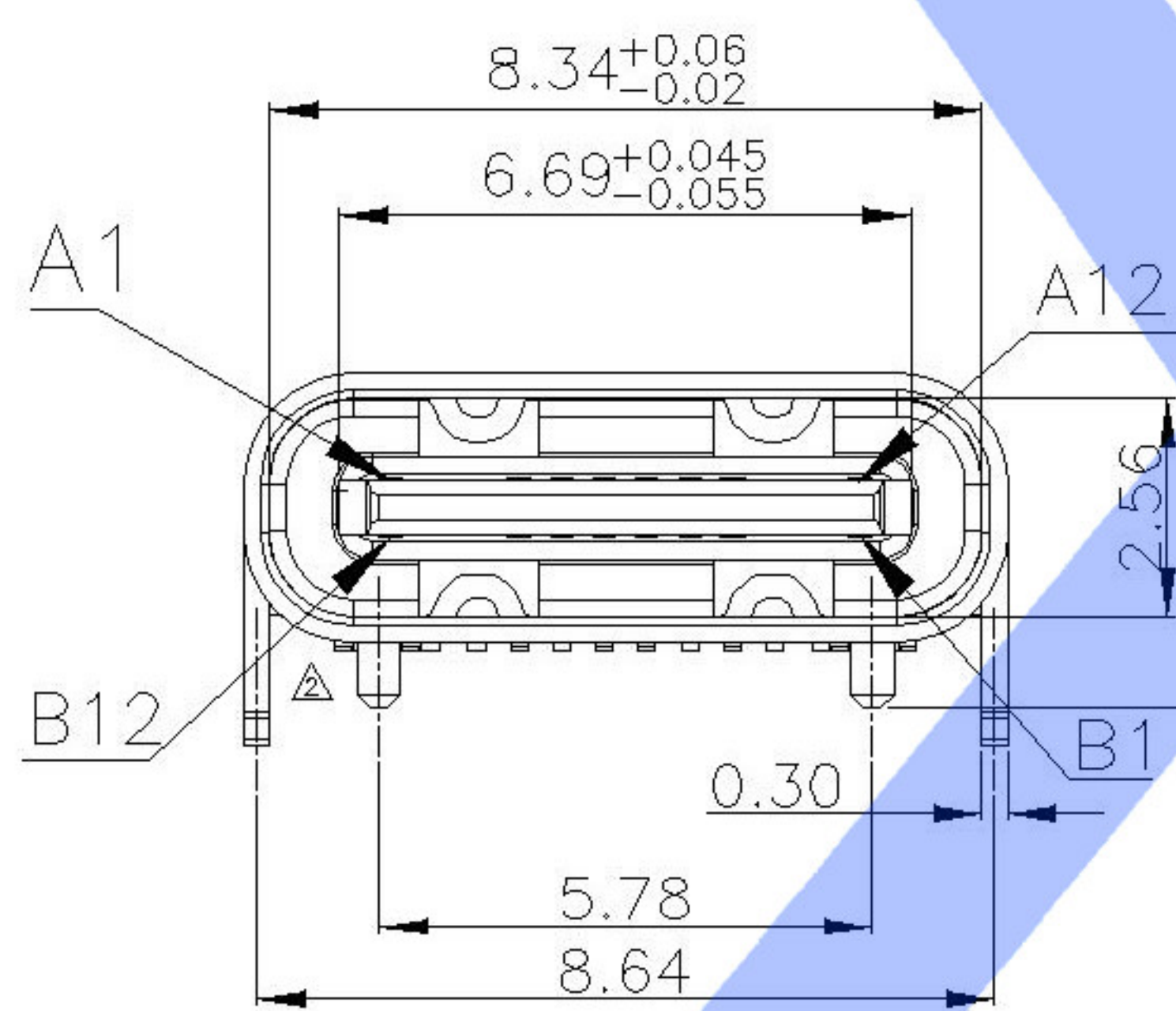


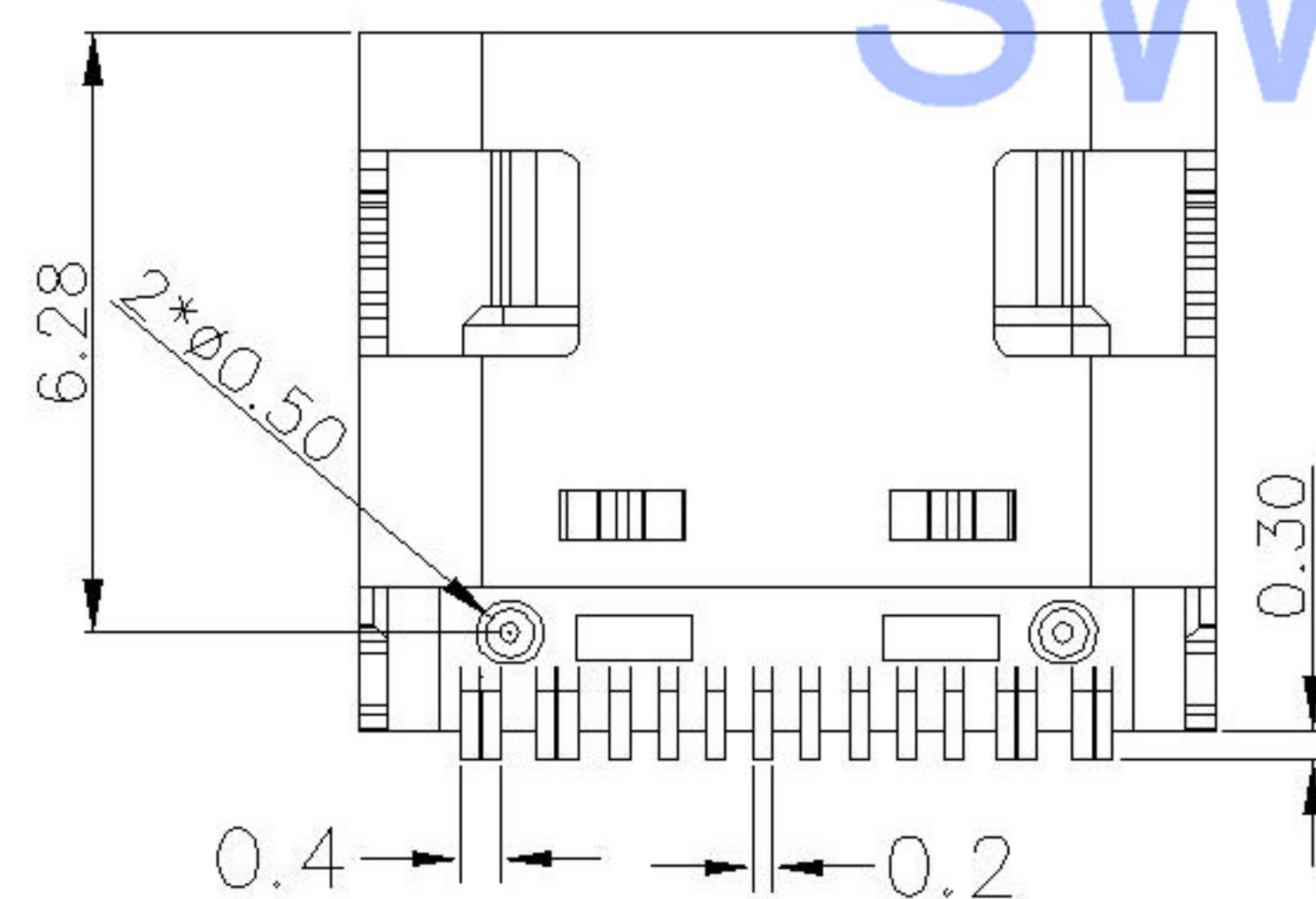
4	SHIELDING PLATE	STAINLESS STEEL(SUS301)	-----
3	SHELL	STAINLESS STEEL(SUS304)	NI Palated
2	TERMINAL	HIGH CONDUCTIVITY COPPER(C7025)	Au 1u"
1	HOUSING	HIGH TEMPERATURE PLASTIC(LCP)	UL 94V-0
NO.	DESCRIPTION	MATERIAL	REMARK

RECOMMENDED P.C.B. LAYOUT
TOLERANCE UNSPECIFIED ±0.05mm



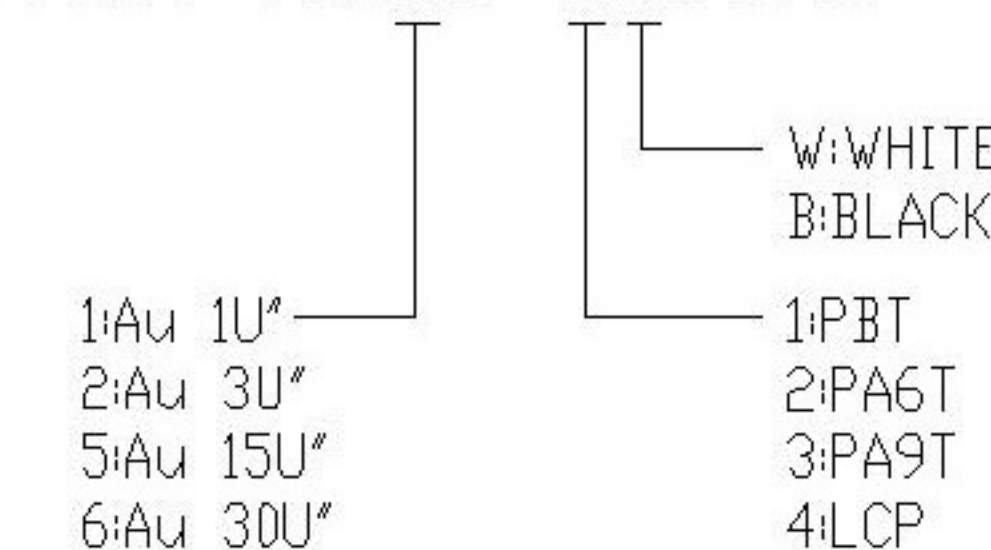
- NOTES:
- ELECTRICAL:
 - CURRENT RATING: 3.0A MAX;
 - INSULATION RESISTANCE: 100MΩ MIN;
 - CONTACT RESISTANCE: 40mΩ MAX;
 - WITHSTANDING VOLTAGE: 100V AC;
 - TEMPERATURE RANGE: -30°C TO +85°C.
 - MECHANICAL:
 - INSERTION FORCE: 5N~20N.
 - UNMATING FORCE: 8N~20N.
 - DIMENSIONS MARKED "▼" TO BE CHECKED BY Q.C & IPQC.
 - PART NO.

SWITCH CONNECTOR



A1	GND	B12	GND
A4	VBUS	B9	VBUS
A5	CC1	B8	SBU2
A6	DP1	B7	DN2
A7	DN1	B6	DP2
A8	SBU1	B5	CC2
A9	VBUS	B4	VBUS
A12	GND	B1	GND
PIN	SIGNAL NAME	PIN	SIGNAL NAME

U262-16XN-4BVC11



					DSND		DATE		SCALE: N/A	MODEL TYPE: 3.1 TYPE C
					ANGLAR		DATE		VIEW:	PART NO.:
					L ≤ 4		DATE		UNIT: mm	DWG NO.:
					4 < L ≤ 16		DATE		SIZE: A4	U262-16XN-4BVC11
					16 < L ≤ 63		DATE			
					L > 63		DATE			
					±5°					
					±0.2					
					±0.3					
					±0.4					
					±0.5					
					UNSPECIFIED TOLERANCES					
					XKB INDUSTRIAL PRECISION CO., LIMITED					
REVISIONS										
www.xk-dg.cn www.1k0k.com www.1k0k.cn										