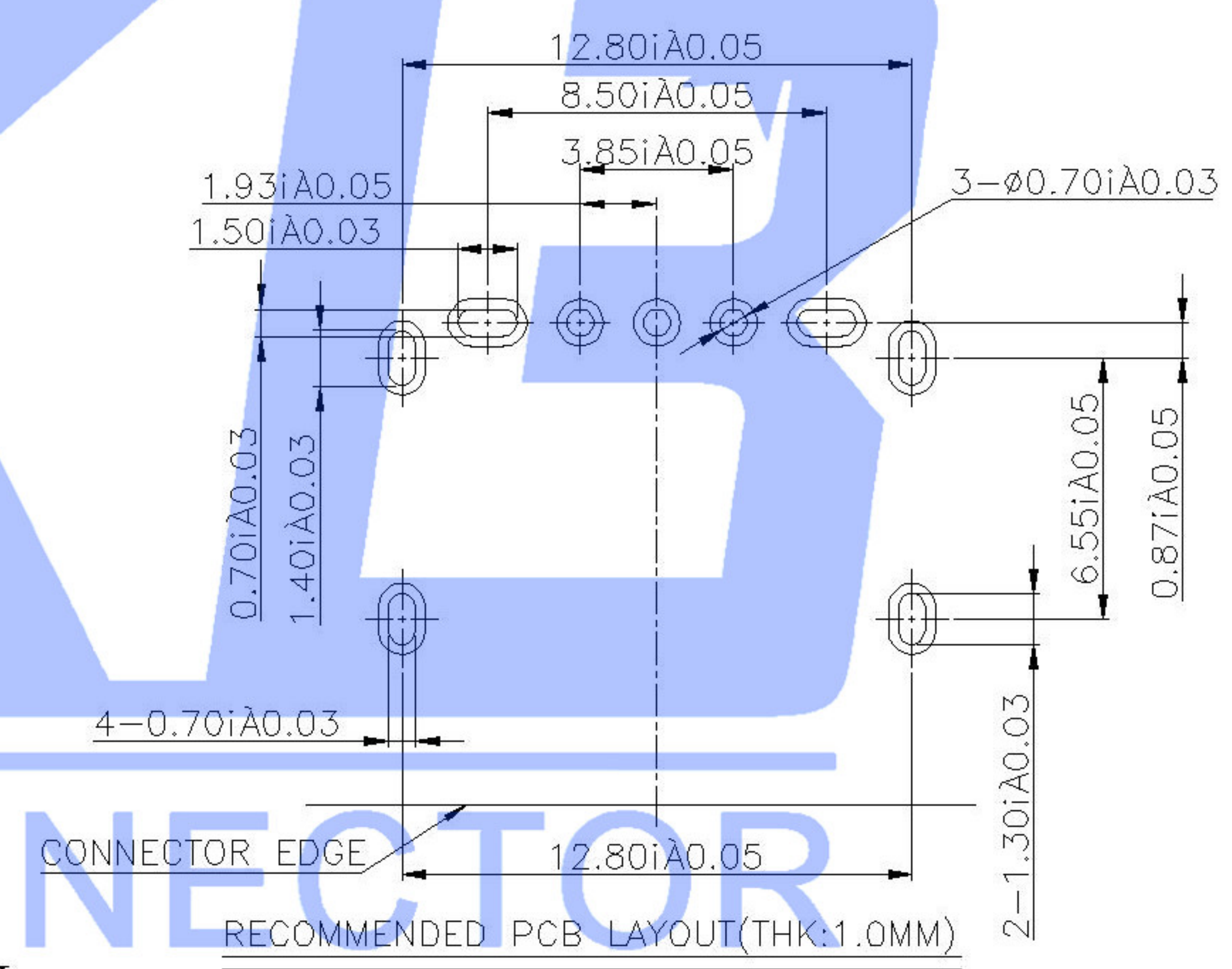


NOTE:  
 \*Products comply with ROHS requirements  
 \*Material:  
 1.Housing: PA9T UL94V-0  
 2.Terminal:Bronze(T=0.25mm)  
 3.Shell:SUS201(T=0.3mm)  
 \*ElectricalCharacteristics;  
 1.CONTACTRESISTANCE:30mΩ MAXIMUM  
 2.CONTACT CURRENT RATING:4A at VBUS and GND PIN  
 3.DIELECTRIC WITHSTANDING VOLTAGE:500 V R.M.S.  
 4.INSULATION RESISTANCE 1000 MEGOHMS MIN  
 5.OPERATING TEMPERATURE:-40°C ~ 85°C  
 \*Mechanical Characteristics;  
 1.MATING FORCE:3.57kg MAX  
 2.UNMATED FORCE:1.02kg MIN  
 3.DURABILITY:MANDATORY:5,000 CYCLES



**U234-05XN-XGRA035-X**

1:Au 1U"  
 5:Au 15U"  
 6:Au 30U"

G: GREE  
 B: BLACK  
 BL: BLUE

1:PBT  
 2:PA6T  
 3:PA9T  
 4:LCP

5: BRASS

					DSND		DATE		SCALE: N/A	MODEL TYPE: <b>USB 3.0</b>		
ΔX					ANGLAR		DATE		VIEW:	PART NO.:		
ΔX					L ≤ 4	±0.2	DATE		UNIT: mm	DWG NO.:		
ΔX					4 < L ≤ 16	±0.3	DATE		SIZE: A4	U234-05XN-XGRA035-X		
MARK	DESCRIPTION	DATE	REVISED	APPROVED	16 < L ≤ 63	±0.4	DATE			WEIGHT	SHEET	REVISION
REVISIONS					L > 63	±0.5	DATE			1.0g	1/1	A0
UNSPECIFIED TOLERANCES					<b>XKB INDUSTRIAL PRECISION CO., LIMITED</b>							
www.xk-dg.cn www.1k0k.com www.1k0k.cn												