

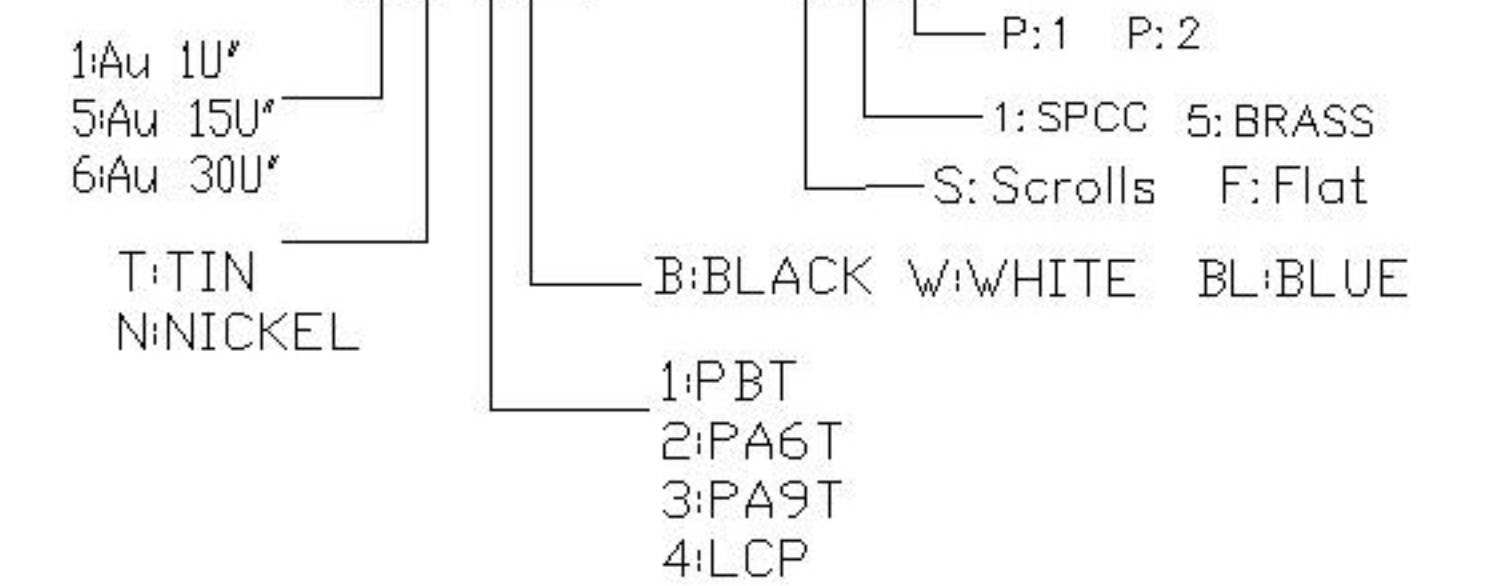
Flat (F)

# SWITCH CONNECTOR

- NOTES:
- ELECTRICAL:
    - CURRENT RATING: 1.8AMP;
    - INSULATION RESISTANCE: 100MΩ MIN;
    - CONTACT RESISTANCE: 50mΩ MAX;
    - WITHSTANDING VOLTAGE: 100V AC;
    - OPERATING TEMPERATURE: -55°C ~ +85°C
  - Mechanical:
    - Mating Force: 35N MAX
    - Unmating Force: 10N MIN.
  - DIMENSIONS MARKED "▼" TO BE CHECKED BY Q.C & IPQC.

4. PART NO.

U233-09XN-XBLPC15-X-1-X



					ANGLAR	±5°	DSND	DATE	SCALE: N/A	MODEL TYPE:	USB 3.0	
					L ≤ 4	±0.2	DWN	DATE	VIEW:	PART NO.:		
					4 < L ≤ 16	±0.3	CHKD	DATE	UNIT: mm	DWG NO.:		
					16 < L ≤ 63	±0.4	APPD	DATE	SIZE: A4	U233-09XN-XBLPC15-X-1-X		
					L > 63	±0.5	XKB INDUSTRIAL PRECISION CO., LIMITED			WEIGHT	SHEET	REVISION
					UNSPECIFIED TOLERANCES					1.0g	1/1	A0
MARK	DESCRIPTION	DATE	REVISED	APPROVED								
REVISIONS												
www.xk-dg.cn www.helloxkb.com www.helloxkb.cn												