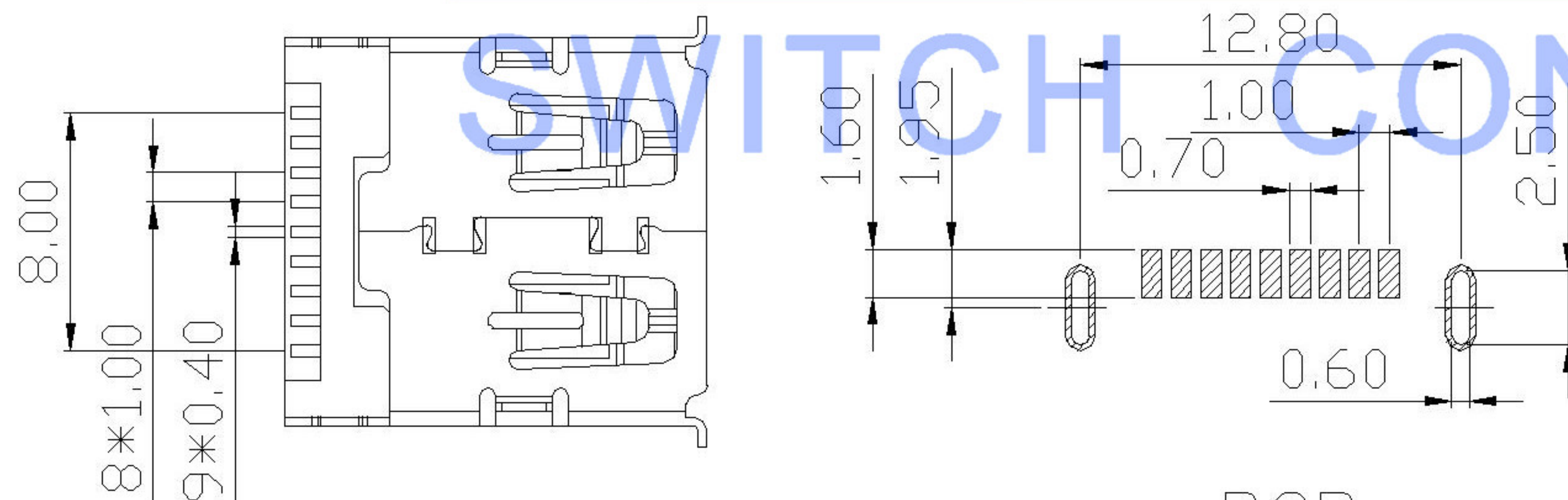


Flat (F)



Scrolls (S)

PCB

NOTES:

1. ELECTRICAL:

- 1) CURRENT RATING: 1.8AMP;
- 2) INSULATION RESISTANCE: 100MΩ MIN;
- 3) CONTACT RESISTANCE: 50mΩ MAX;
- 4) WITHSTANDING VOLTAGE: 100V AC;
- 5) OPERATING TEMPERATURE: -55°C ~ +85°C.

2. Mechanical:

- 1) Mating Force: 35N MAX
- 2) Unmating Force: 10N MIN.

3. DIMENSIONS MARKED "▼" TO BE CHECKED BY Q.C & IPQC.

4. PART NO.

U231-09XN-XBLRA00-X-1

- 1: 10u
- 5: 15u
- 6: 30u
- T: TIN
- N: NICKEL
- 1: SPCC
- 5: BRASS
- S: Scrolls
- F: Flat
- B: BLACK
- W: WHITE
- BL: BLUE
- 1: PBT
- 2: PA6T
- 3: PA9T
- 4: LCP

						DSND		DATE		SCALE: N/A	MODEL TYPE: <b>USB 3.0</b>	
						DWN		DATE		VIEW:	PART NO.:	
						CHKD		DATE		UNIT: mm	DWG NO.:	
						APPD		DATE		SIZE: A4	U231-09XN-XBLRA00-X-1	
						UNSPECIFIED TOLERANCES				KKB INDUSTRIAL PRECISION CO., LIMITED		
						www.xk-dg.cn www.helloxkb.com www.helloxkb.cn			1.0g	1/1	A0	

Δx					ANGULAR	±5°
Δx					L ≤ 4	±0.2
Δx					4 < L ≤ 16	±0.3
MARK	DESCRIPTION	DATE	REVISED	APPROVED	16 < L ≤ 63	±0.4
	REVISIONS				L > 63	±0.5