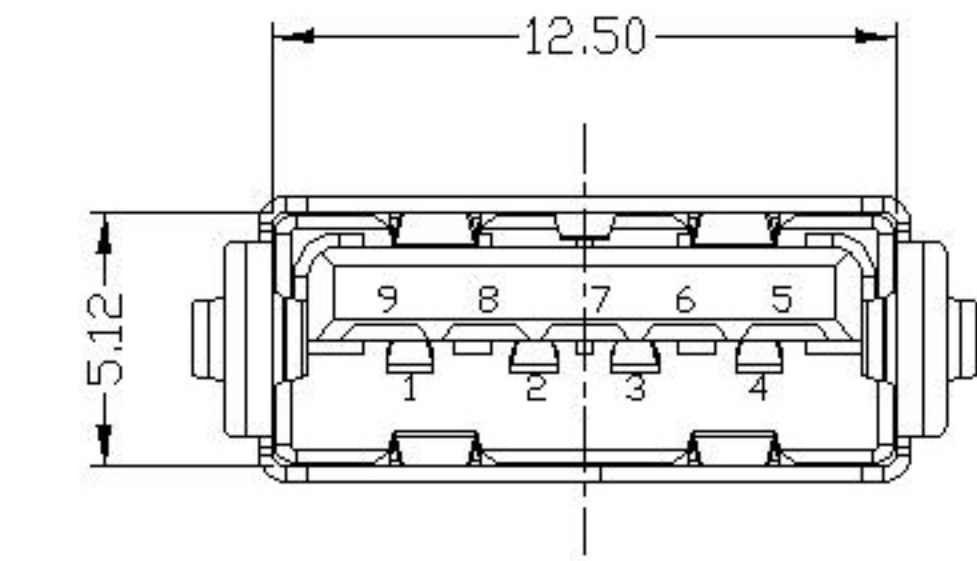
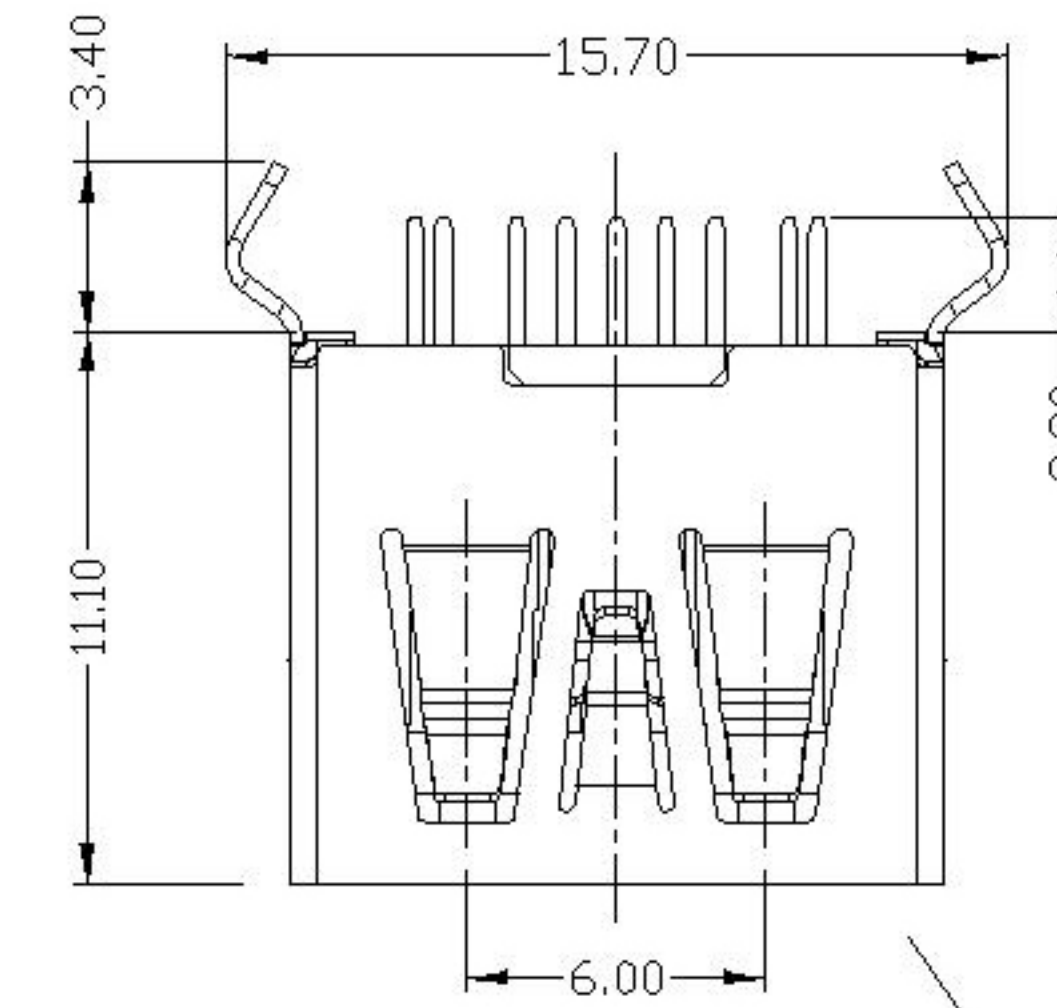
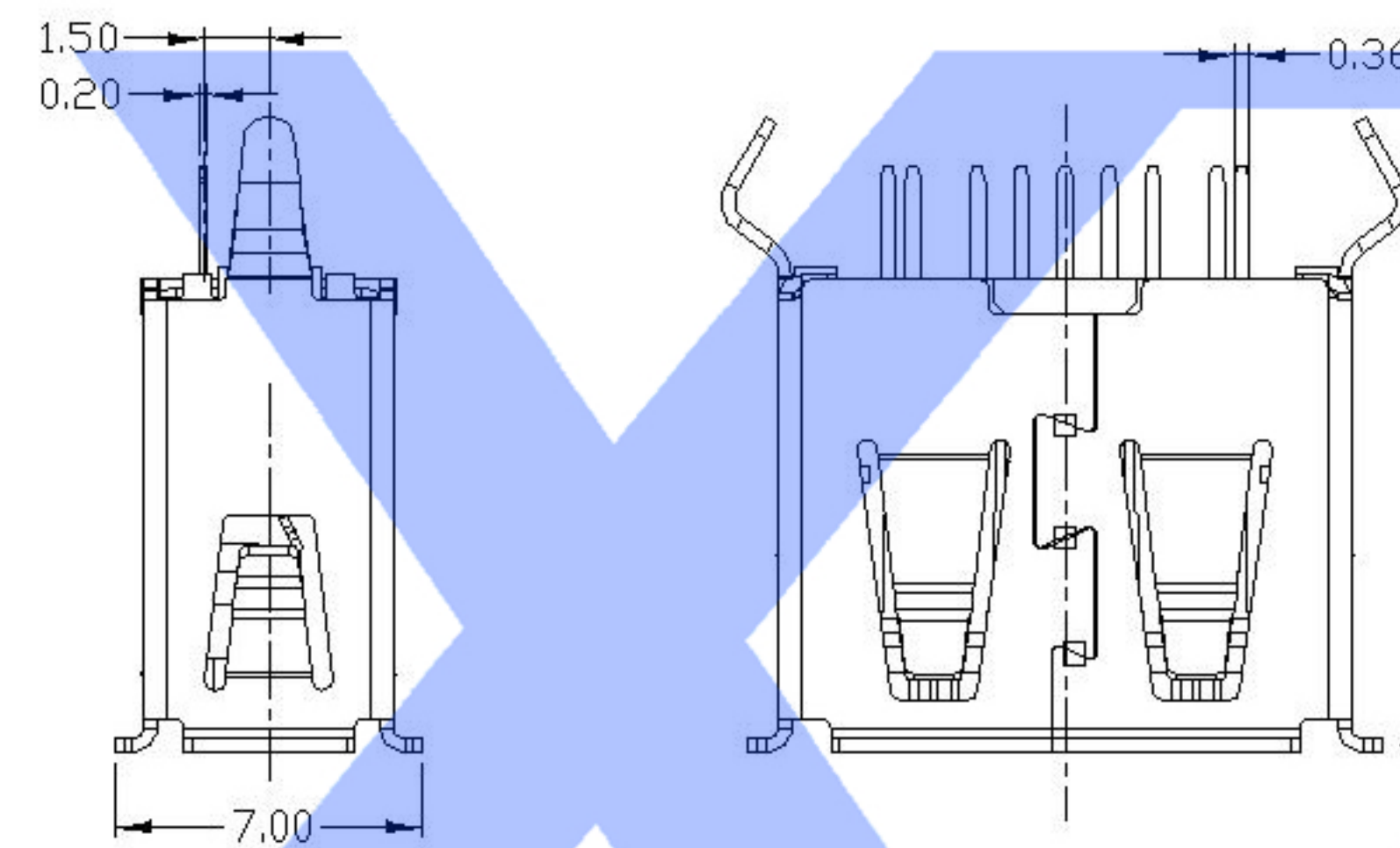
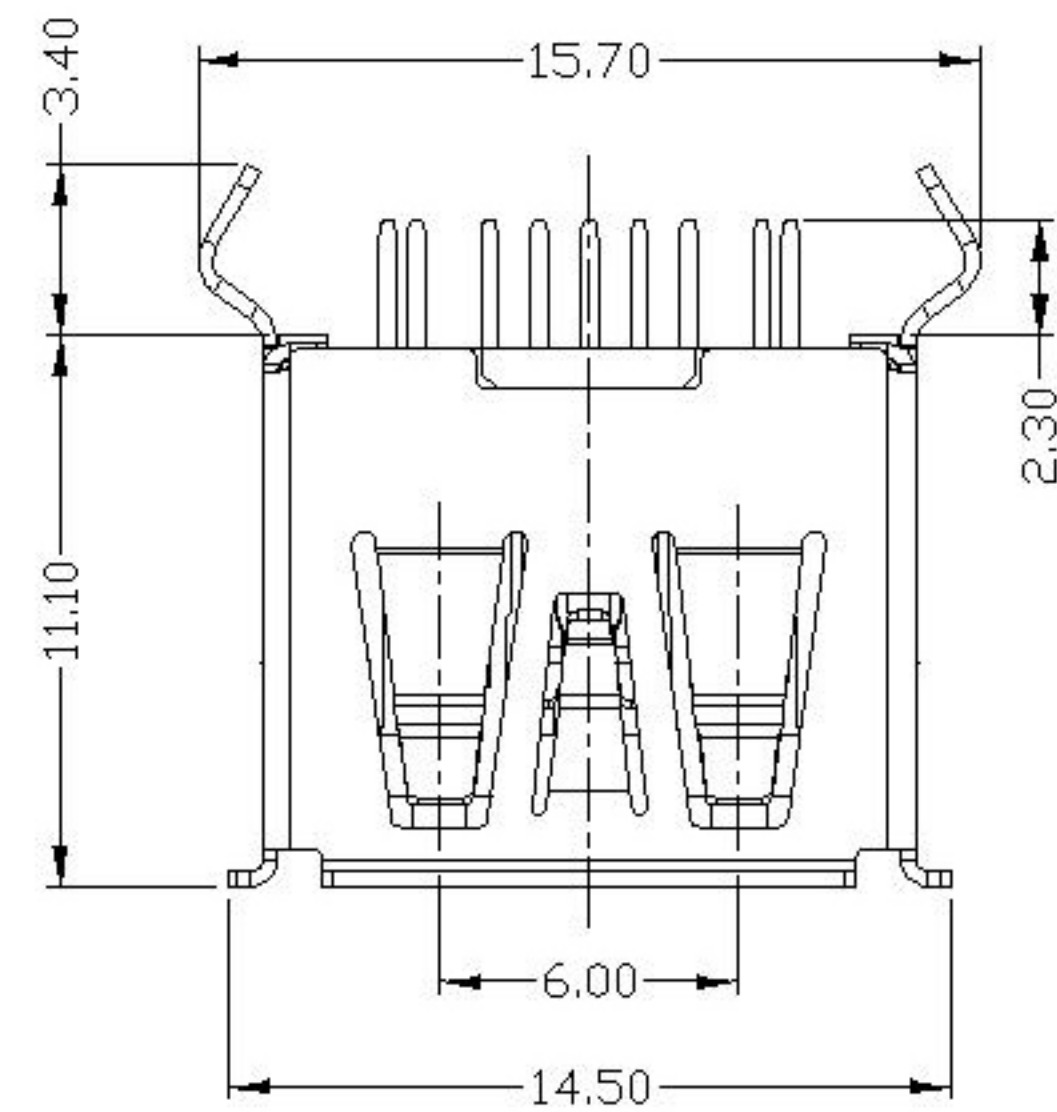


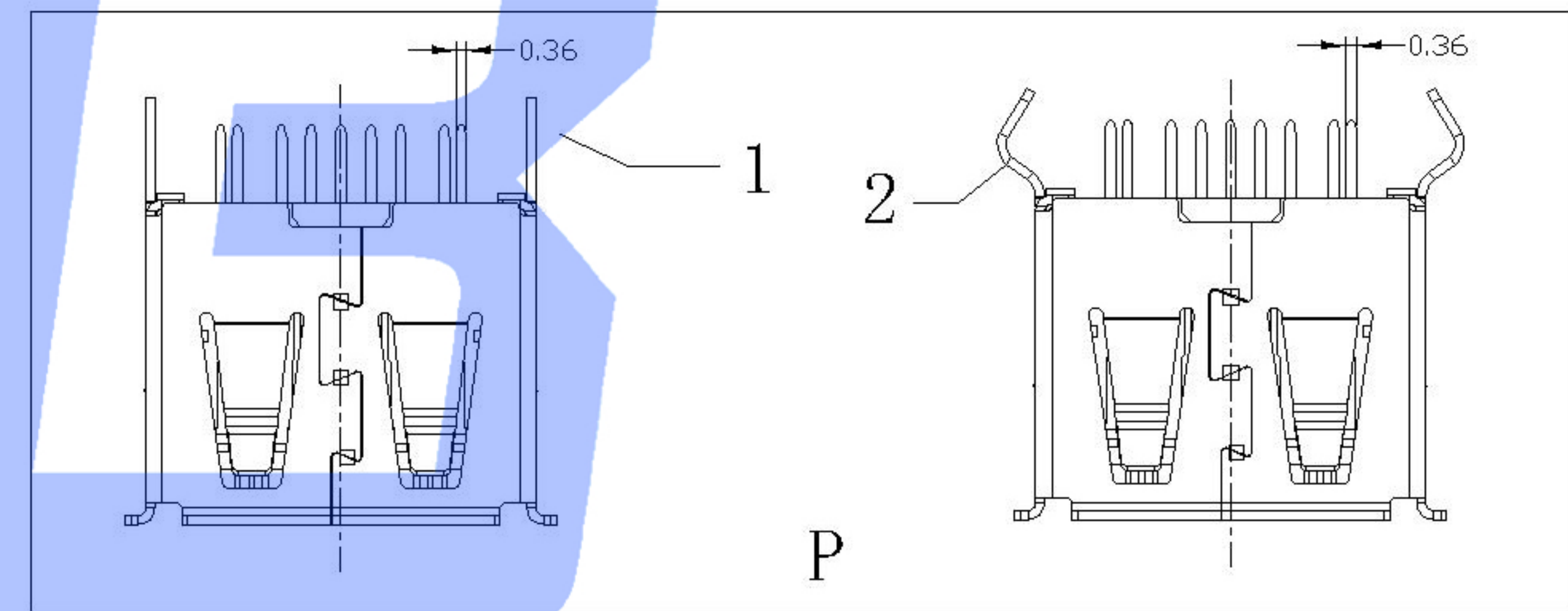
PIN NUMBER	SIGNAL NAME
1	VBUS
2	D-
3	D+
4	GND
5	STDA_SSRX-
6	STDA_SSRX+
7	GND_DRAIN
8	STDA_SSTX-
9	STDA_SSTX+
Shell	Shield



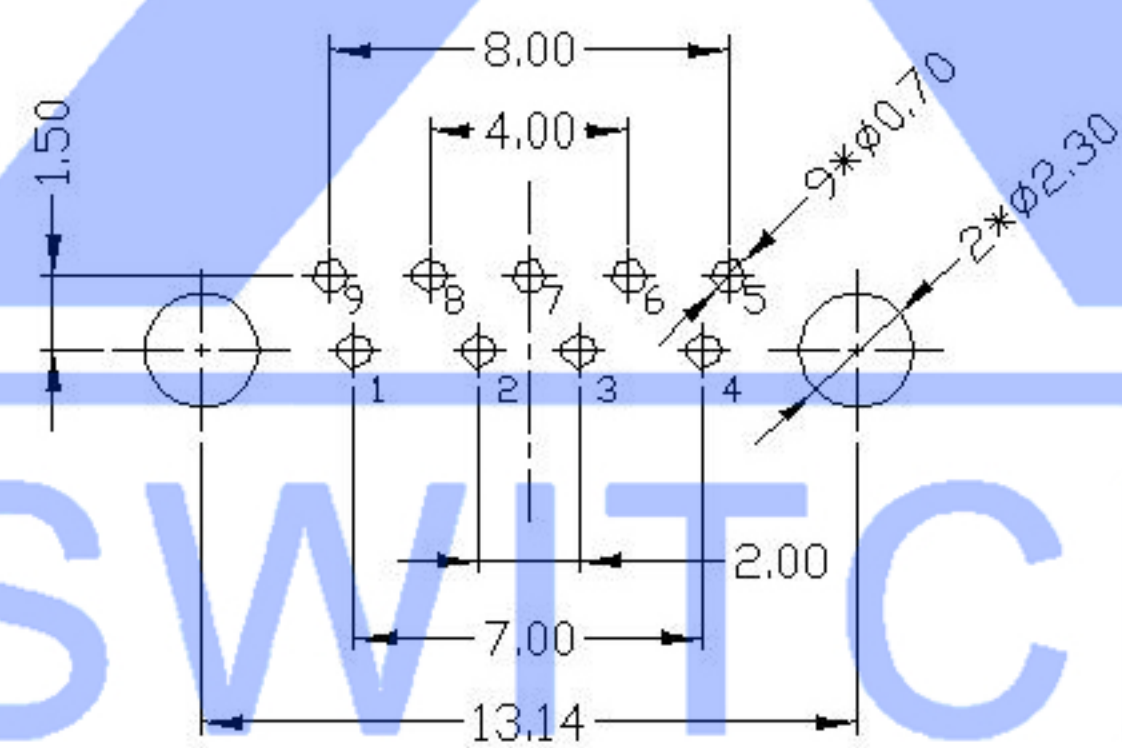
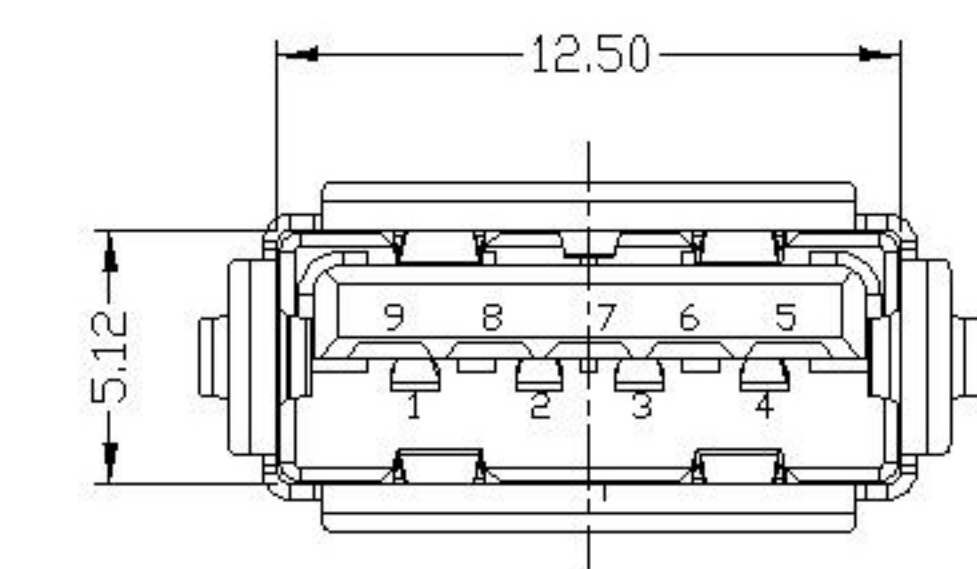
Flat (F)



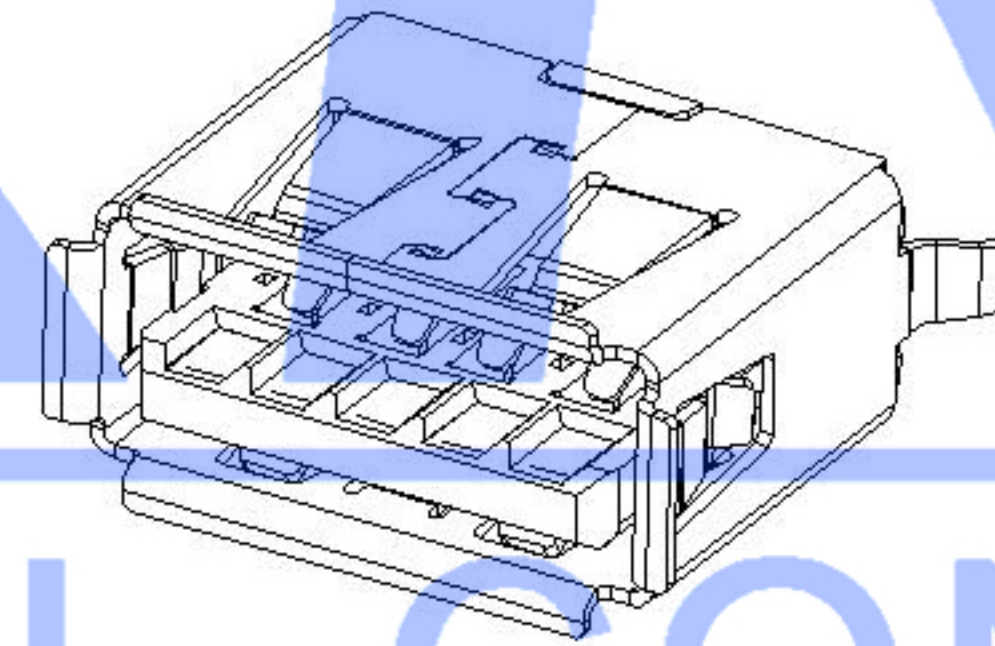
Scrolls (S)



P



RECOMMENDED PCB LAYOUT



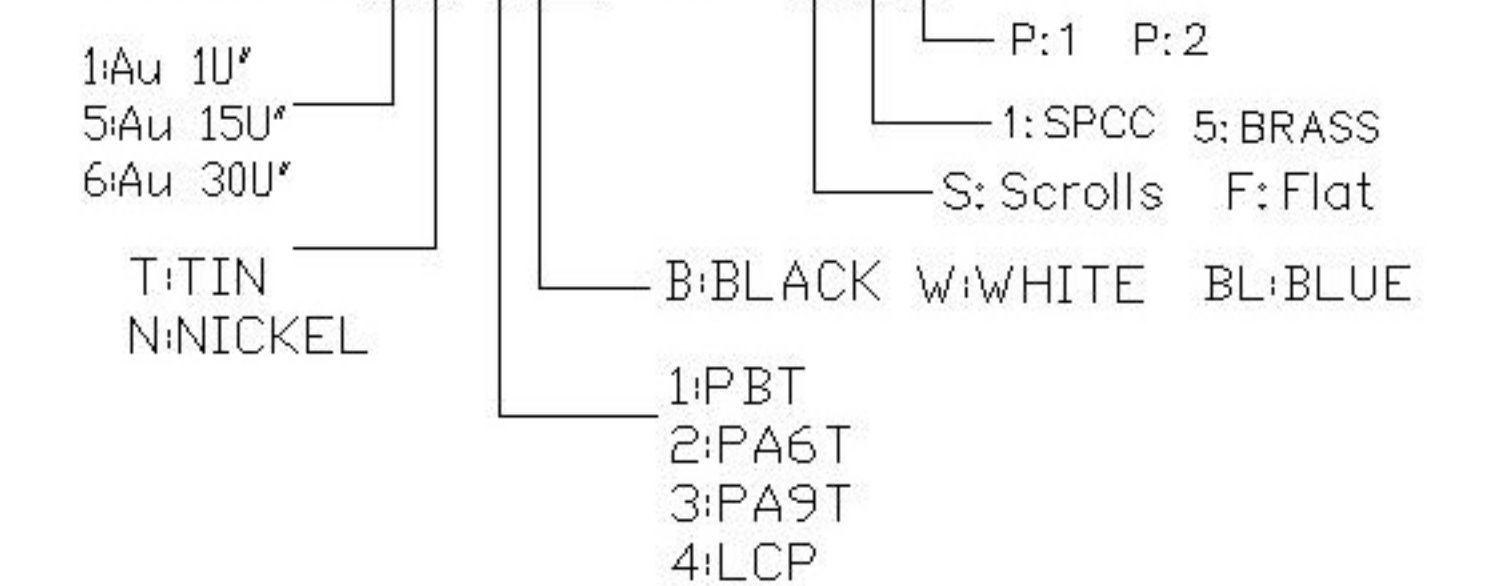
SWITCH CONNECTOR

NOTES:

- ELECTRICAL:
  - CURRENT RATING: 1.8AMP;
  - INSULATION RESISTANCE: 100MΩ MIN;
  - CONTACT RESISTANCE: 50mΩ MAX;
  - WITHSTANDING VOLTAGE: 100V AC;
  - OPERATING TEMPERATURE: -55°C ~ +85°C
- Mechanical:
  - Mating Force: 35N MAX
  - Unmating Force: 10N MIN.
- DIMENSIONS MARKED "▼" TO BE CHECKED BY Q.C & IPQC.

4. PART NO.

U233-09XN-3BLPC11-X-X-X



MARK	DESCRIPTION	DATE	REVISED	APPROVED	UNSPECIFIED TOLERANCES	DSND	DATE	SCALE: N/A	MODEL TYPE: USB 3.0
ΔX					ANGLAR ±5°	DWN	DATE	VIEW:	PART NO.:
ΔX					L ≤ 4 ±0.2	CHKD	DATE	UNIT: mm	DWG NO.:
ΔX					4 < L ≤ 16 ±0.3	APPD	DATE	SIZE: A4	U233-09XN-3BLPC11-X-X-X
					16 < L ≤ 63 ±0.4	XKB INDUSTRIAL PRECISION CO., LIMITED			WEIGHT 1.0g
					L > 63 ±0.5				SHEET 1/1
REVISIONS									REVISION A0
www.xk-dg.cn www.helloxkb.com www.helloxkb.cn									