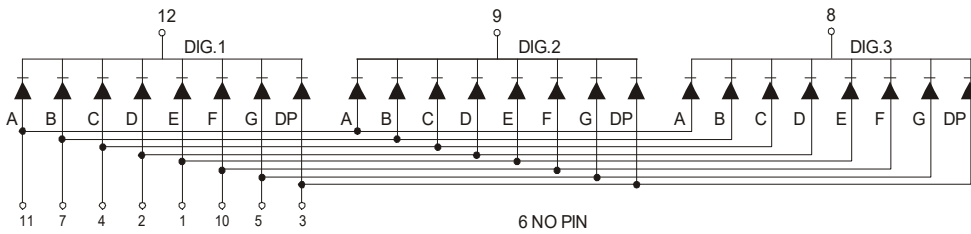
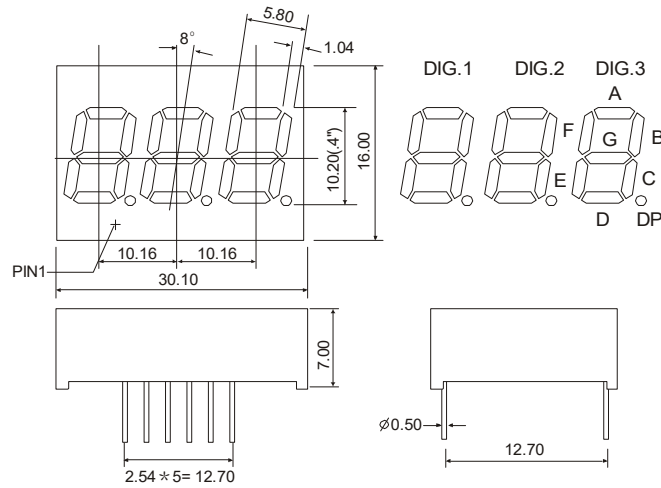


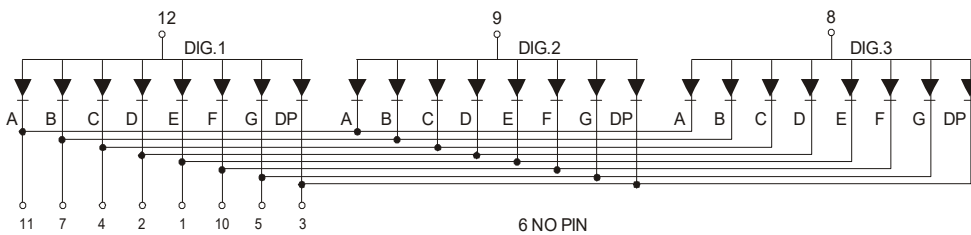
# DATA SHEET for LED DISPLAY

YDUG-304K(A)M

|                                 |                           |
|---------------------------------|---------------------------|
| <b>Part No.</b>                 | <b>Dice Color</b>         |
| YDUG-304K(A)M                   | Green                     |
| <b>Color of Segment</b>         | <b>Surface Color</b>      |
| White Diffused                  | Black                     |
| <b>Internal Circuit Diagram</b> | <b>Package Dimensions</b> |



YDUG-304KM



YDUG-304AM



**Absolute Maximum Rating of Each Segment** (Ta=25°C)

| Parameter                  | Symbol           | Maximum Rating | Unit |
|----------------------------|------------------|----------------|------|
| Power Dissipation          | P <sub>M</sub>   | 80             | mW   |
| Continuous Forward Current | I <sub>F</sub>   | 30             | mA   |
| Reverse Voltage            | V <sub>R</sub>   | 5              | V    |
| Operation Temperature      | T <sub>opr</sub> | -20°C ~ 70°C   | °C   |
| Storage Temperature        | T <sub>stg</sub> | -20°C ~ 85°C   | °C   |

**Electron-Optical Characteristics of Each Segment** (Ta=25°C)

| Parameter          | Symbol         | Min. | Typ. | Max. | Unit | Test Condition       |
|--------------------|----------------|------|------|------|------|----------------------|
| Luminous Intensity | I <sub>v</sub> | 1.8  | 3.6  |      | mcđ  | I <sub>F</sub> =20mA |
| Forward Voltage    | V <sub>F</sub> |      | 2.2  | 2.5  | V    | I <sub>F</sub> =20mA |
| Reverse Current    | I <sub>R</sub> |      |      | 20   | μA   | V <sub>R</sub> =5V   |
| Peak Wavelength    | λ <sub>p</sub> |      | 570  |      | nm   | I <sub>F</sub> =20mA |