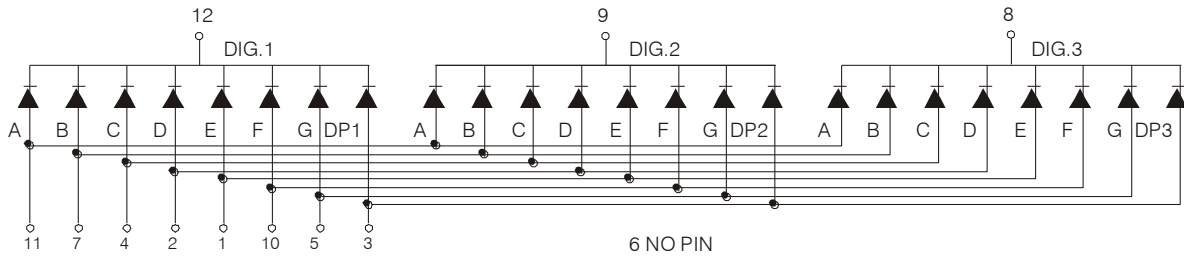
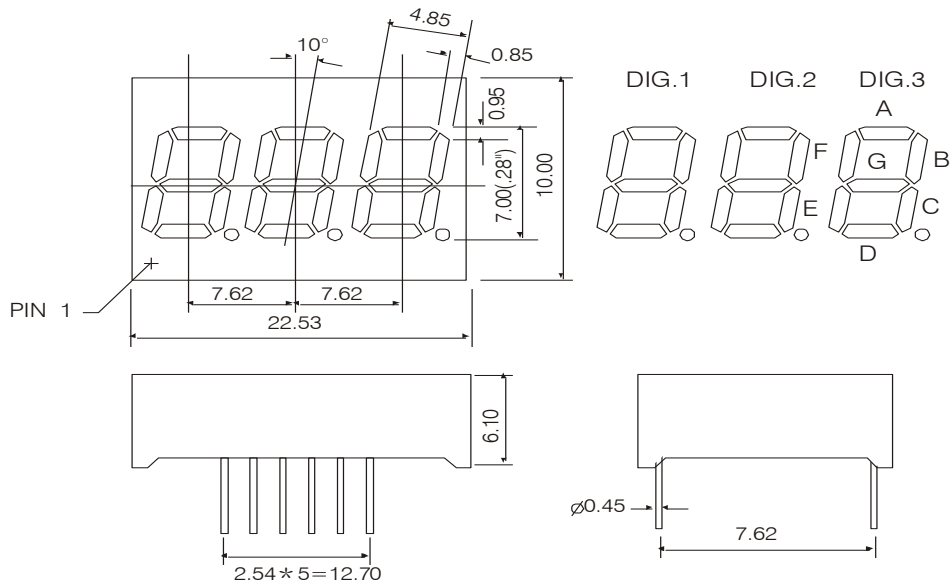


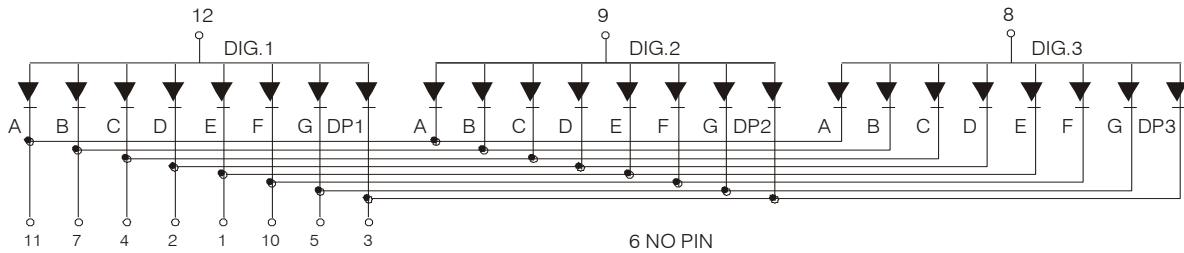
DATA SHEET for LED DISPLAY

YDSR-3028K(A)M

Part No.	Emitting Color
YDSR-3028K(A)M	Super Red
Internal Circuit Diagram	Package Dimensions



YDSR-3028KM



YDSR-3028AM

Absolute Maximum Rating of Each Segment (Ta=25°C)

Parameter	Symbol	Maximum Rating	Unit
Power Dissipation	P_M	65	mW
Continuous Forward Current	I_F	25	mA
Reverse Voltage	V_R	5	V
Operation Temperature	T_{opr}	-20°C ~ 70°C	°C
Storage Temperature	T_{stg}	-20°C ~ 85°C	°C

Electron-Optical Characteristics of Each Segment (Ta=25°C)

Parameter	Symbol	Min.	Typ.	Max.	Unit	Test Condition
Luminous Intensity	I_V	3.0	4.4		mcd	$I_F=20\text{mA}$
Forward Voltage	V_F		1.8	2.3	V	$I_F=20\text{mA}$
Reverse Current	I_R			20	μA	$V_R=5\text{V}$
Peak Wavelength	λ_p		660		nm	$I_F=20\text{mA}$