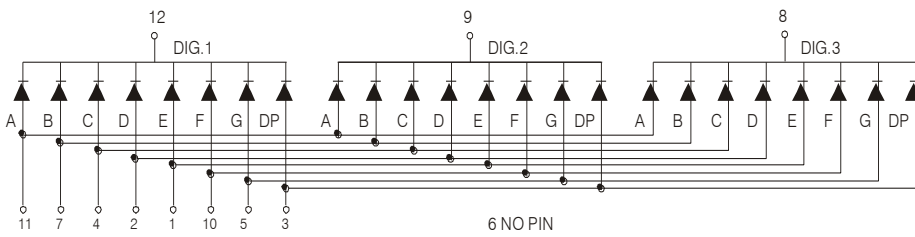
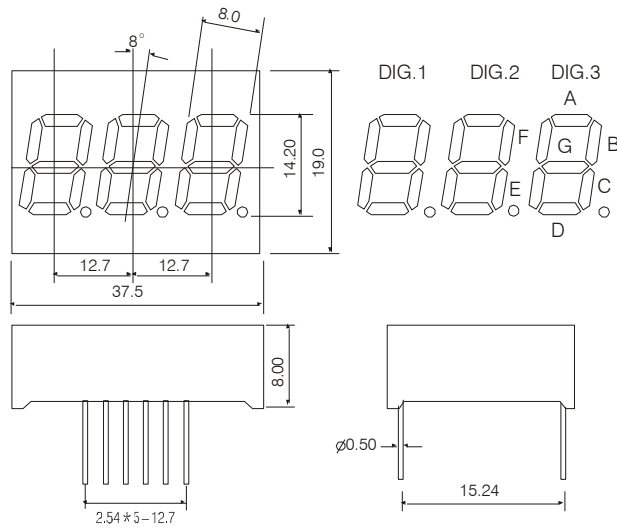


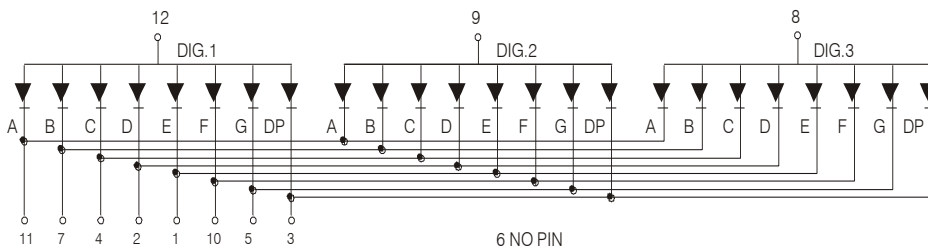
DATA SHEET for LED DISPLAY

YDUG-30561K(A)M

| | |
|---------------------------------|---------------------------|
| Part No. | Dice Color |
| YDUG-30561K(A)M | Green |
| Color of Segment | Surface Color |
| White Diffused | Black |
| Internal Circuit Diagram | Package Dimensions |



YDUG-30561KM



YDUG-30561AM

Absolute Maximum Rating of Each Segment

(Ta=25°C)

| Parameter | Symbol | Maximum Rating | Unit |
|----------------------------|------------------|----------------|------|
| Power Dissipation | P _M | 80 | mW |
| Continuous Forward Current | I _F | 30 | mA |
| Reverse Voltage | V _R | 5 | V |
| Operation Temperature | T _{opr} | -20°C ~ 70°C | °C |
| Storage Temperature | T _{stg} | -20°C ~ 85°C | °C |

Electron-Optical Characteristics of Each Segment

(Ta=25°C)

| Parameter | Symbol | Min. | Typ. | Max. | Unit | Test Condition |
|--------------------|----------------|------|------|------|------|----------------------|
| Luminous Intensity | I _v | 3.0 | 6.0 | | mcd | I _F =20mA |
| Forward Voltage | V _F | | 2.2 | 2.5 | V | I _F =20mA |
| Reverse Current | I _R | | | 20 | μA | V _R =5V |
| Peak Wavelength | λ _p | | 570 | | nm | I _F =20mA |