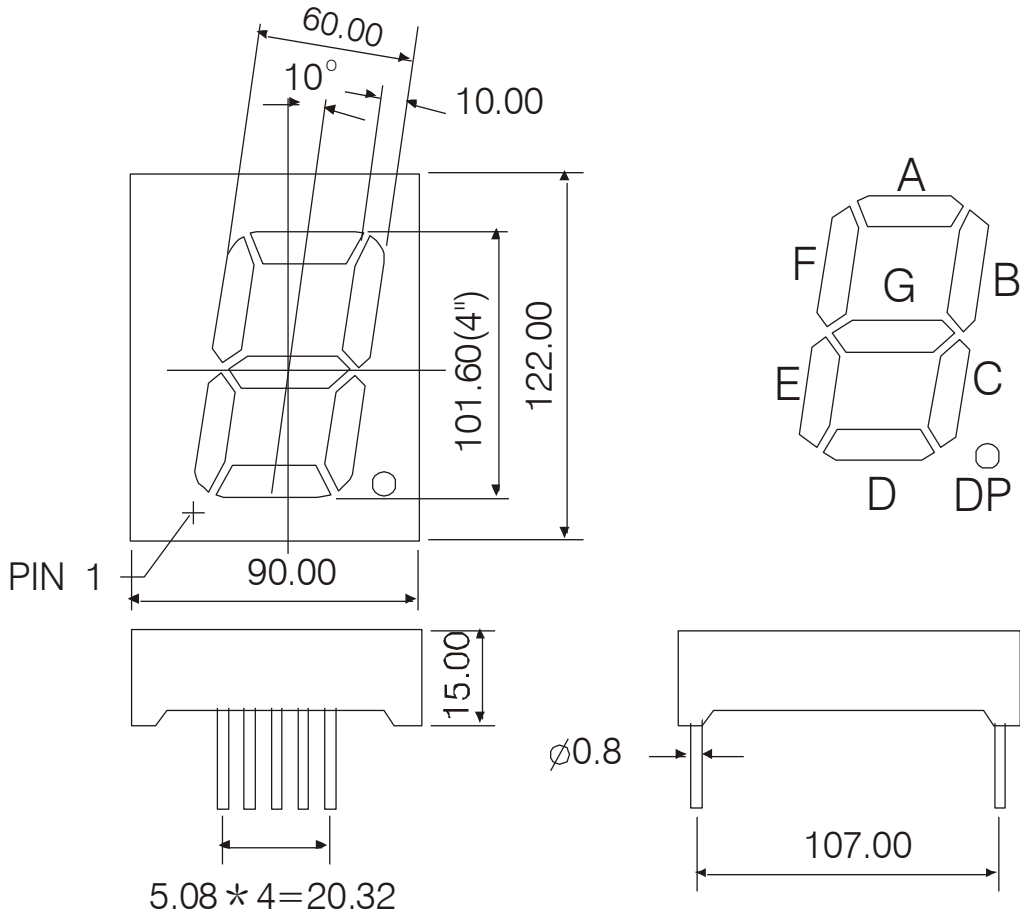
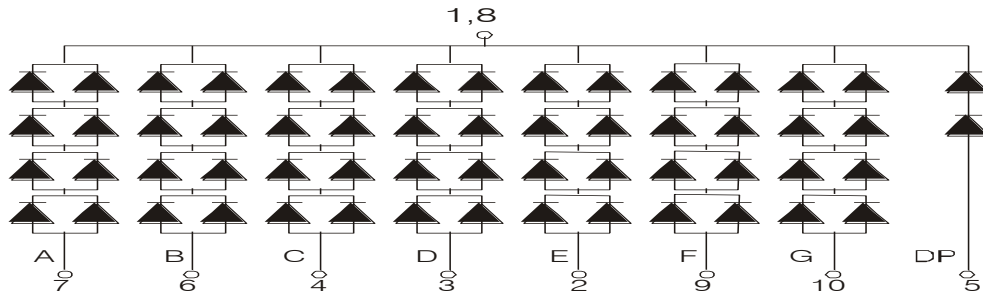


# DATA SHEET for LED DISPLAY

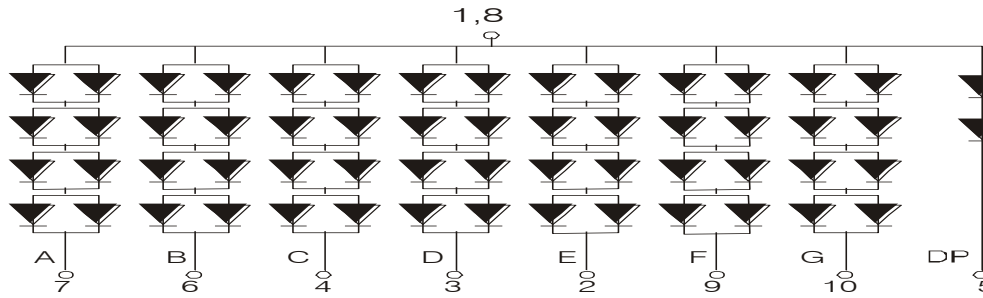
## YDUR-140K(A)M-S

<b>Part No.</b>	<b>Dice Color</b>
YDUR-140K(A)M-S	Ultra Red
<b>Color of Segment</b>	<b>Surface Color</b>
White Diffused	Black
<b>Internal Circuit Diagram</b>	<b>Package Dimensions</b>





**YDUR-140KM-S**



**YDUR-140AM-S**

**Absolute Maximum Rating of Each Segment** (Ta=25°C)

Parameter	Symbol	Maximum Rating	Unit
Power Dissipation	P <sub>M</sub>	500	mW
Continuous Forward Current	I <sub>F</sub>	25	mA
Reverse Voltage	V <sub>R</sub>	20	V
Operation Temperature	T <sub>opr</sub>	-20°C ~ 70°C	°C
Storage Temperature	T <sub>stg</sub>	-20°C ~ 85°C	°C

**Electron-Optical Characteristics of Each Segment** (Ta=25°C)

Parameter	Symbol	Min.	Typ.	Max.	Unit	Test Condition
Luminous Intensity	I <sub>v</sub>	48	68		mcd	I <sub>F</sub> =20mA
Forward Voltage	V <sub>F</sub>		7.2	9.2	V	I <sub>F</sub> =20mA
Reverse Current	I <sub>R</sub>			20	μA	V <sub>R</sub> =5V
Peak Wavelength	λ <sub>p</sub>		660		nm	I <sub>F</sub> =20mA