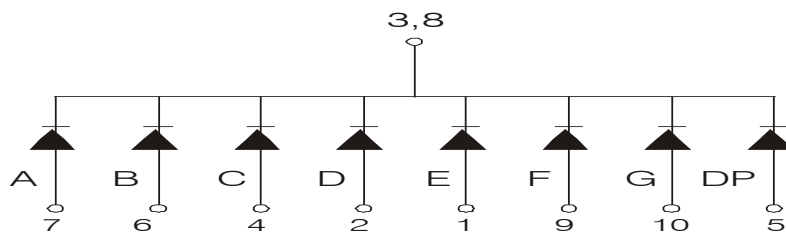
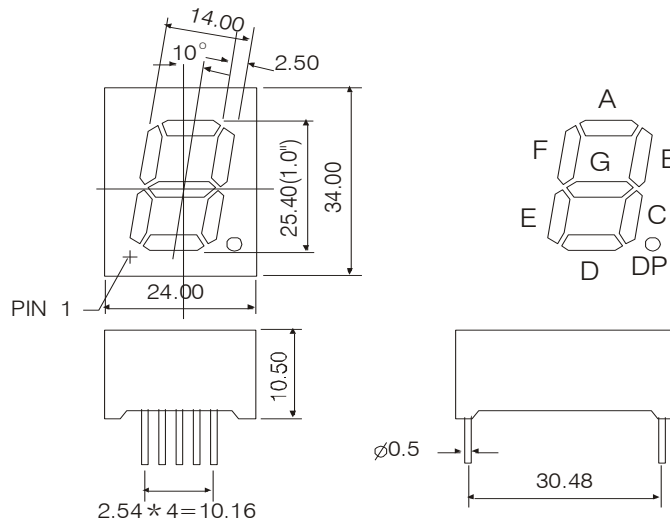


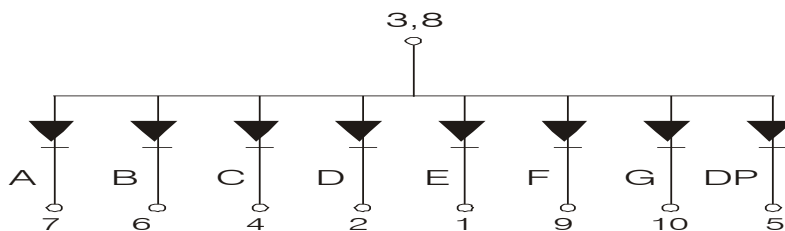
## DATA SHEET for LED DISPLAY

### YDUR-110K(A)M-1

Part No.	Dice Color
YDUR-110K(A)M-1	Ultra Red
Color of Segment	Surface Color
White Diffused	Black
Internal Circuit Diagram	Package Dimensions



### YDUR-110KM-1



### YDUR-110AM-1

**Absolute Maximum Rating of Each Segment** (Ta=25°C)

Parameter	Symbol	Maximum Rating	Unit
Power Dissipation	P <sub>M</sub>	80	mW
Continuous Forward Current	I <sub>F</sub>	25	mA
Reverse Voltage	V <sub>R</sub>	5	V
Operation Temperature	T <sub>opr</sub>	-20°C ~ 70°C	°C
Storage Temperature	T <sub>stg</sub>	-20°C ~ 85°C	°C

**Electron-Optical Characteristics of Each Segment** (Ta=25°C)

Parameter	Symbol	Min.	Typ.	Max.	Unit	Test Condition
Luminous Intensity	I <sub>v</sub>		16		mcd	I <sub>F</sub> =20mA
Forward Voltage	V <sub>F</sub>		1.8	2.3	V	I <sub>F</sub> =20mA
Reverse Current	I <sub>R</sub>			20	μA	V <sub>R</sub> =5V
Peak Wavelength	λ <sub>p</sub>		660		nm	I <sub>F</sub> =20mA