

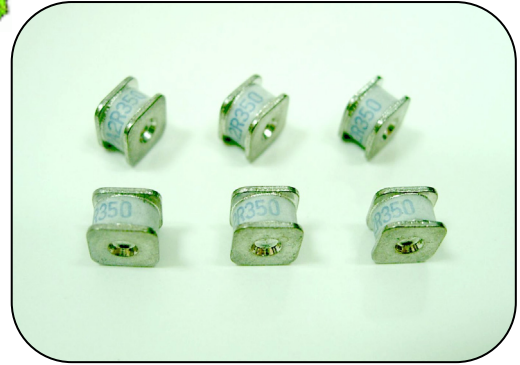
Gas Discharge Tube: GF6 Series

SMD Type $\Phi 6.2 \times T4.2$ mm



■ Features

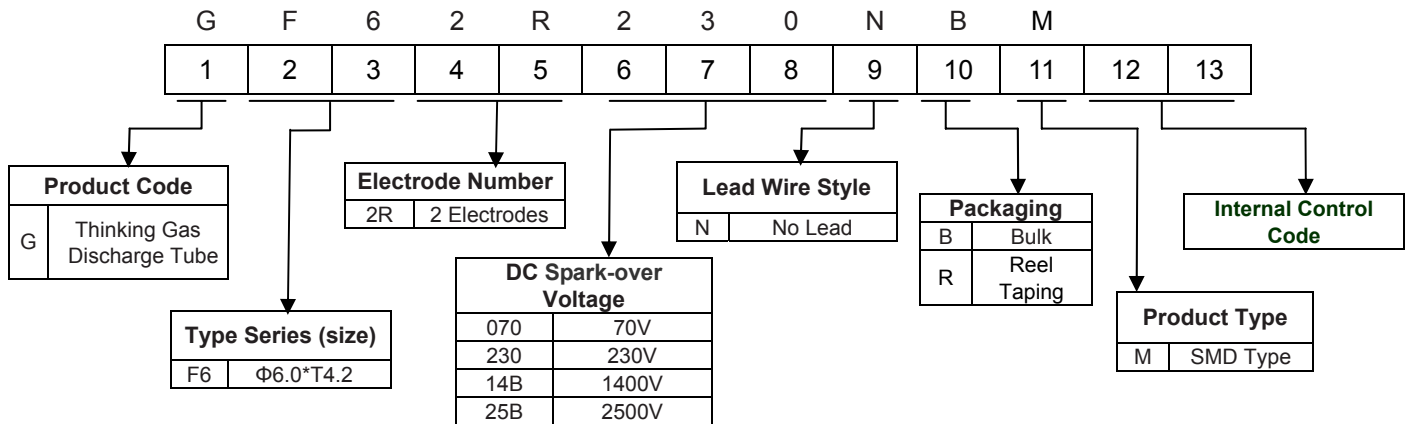
1. RoHS compliant
2. SMD Type Series
3. DC Spark-over voltage : 75~470V
4. Low Capacitance
5. Agency Recognition :UL



■ Recommended Applications

1. Data Transmission Lines
2. Communication Lines
3. CATV System
4. Power Distribution System
5. Power Supplier
6. Test Equipment
7. Instrumentation Circuits

■ Part No. Code



Gas Discharge Tube: GF6 Series

SMD Type $\Phi 6.2 \times T 4.2$ mm



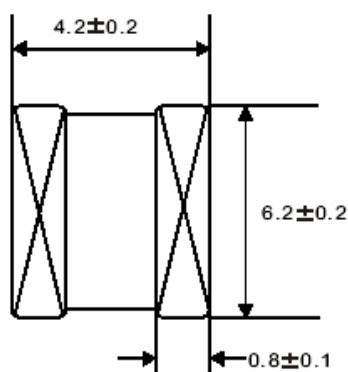
■ Characteristics

Type	Max. DC Spark-over Voltage	Max. Impulse Breakdown Voltage		Impulse Discharge Current (8/20 μ s)		Impulse Discharge Life (10/1000 μ s)	Nom. AC Discharge Current	DC Holdover voltage	Minimum Insulation Resistance	Maximum Capacitance (1MHz)	Safety approvals
	(100V/S)	100V/ μ s	1KV/ μ s	1 time	10 times	<150mS	50Hz, 1S	<150mS			
	(V)	(V)	(V)	(KA)		Times	(A)	(V)			
GF62R075□□M	75 \pm 20%	600	700	10	5	500	5	52	1	1	√
GF62R090□□M	90 \pm 20%	600	700					52			√
GF62R145□□M	145 \pm 20%	500	700					52			√
GF62R230□□M	230 \pm 20%	450	550					135			√
GF62R250□□M	250 \pm 20%	450	550					135			√
GF62R300□□M	300 \pm 20%	500	600					135			√
GF62R350□□M	350 \pm 20%	500	600					135			√
GF62R400□□M	400 \pm 20%	600	700					135			√
GF62R470□□M	470 \pm 20%	700	800					135			√

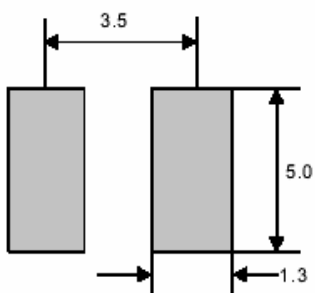
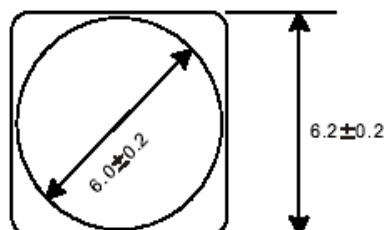
Note1 : The first □ is the style of lead wire, the second □ is packaging.

Note2 : M = SMD Type

Note3: : UL / 497B → File No E245070



Unit: mm



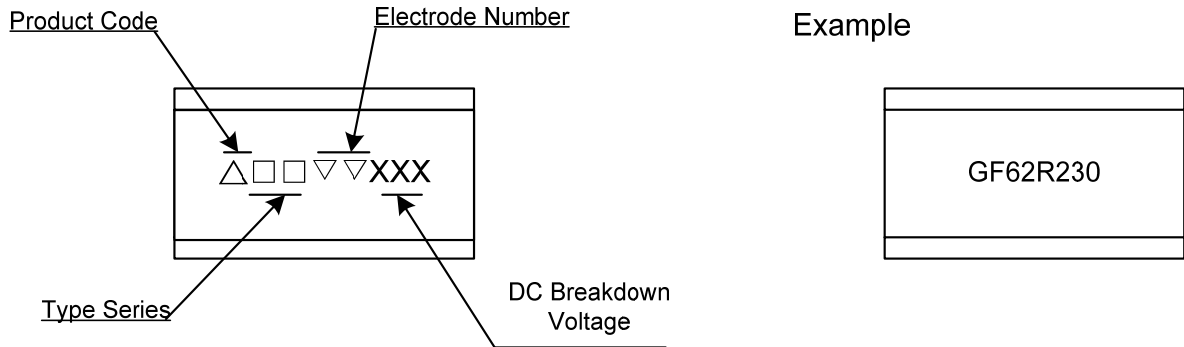
Recommended Pad

Gas Discharge Tube: GF6 Series

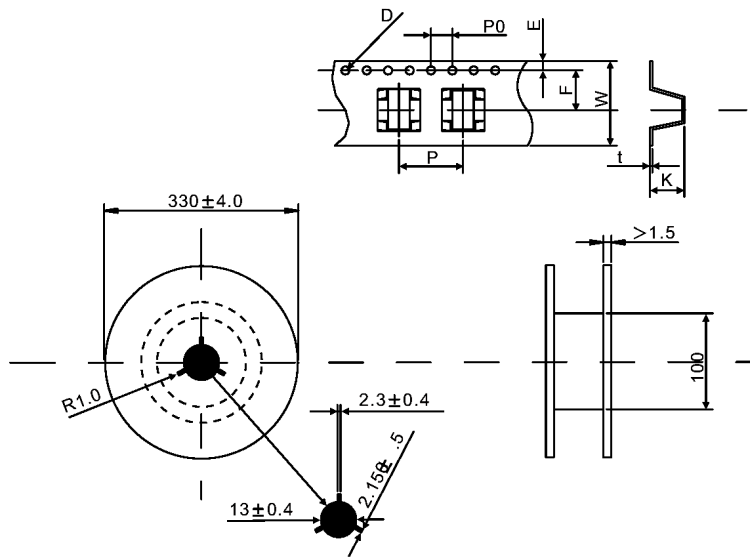
SMD Type $\Phi 6.2 \times T4.2$ mm



■ Marking



■ Packaging



Quantity : 900pcs per reel (13")

Unit: mm

ITEM	P	P0	W	F	E	D	K	t
Spec.	12.0	4.0	16.0	7.5	1.75	$\Phi 1.55$	6.4	0.4
Tol.	± 0.1	± 0.1	± 0.3	± 0.1	± 0.1	± 0.05	± 0.1	± 0.05

■ Storage Condition of GDT

● Storage condition:

1. Storage Temperature : $-10^{\circ}\text{C} \sim +40^{\circ}\text{C}$.
2. Relative humidity: $\leq 75\% \text{RH}$.
3. Gas Discharge Tube must be kept away from sunlight and stored in a non-corrosive atmosphere.

● Period of storage: 1 year.