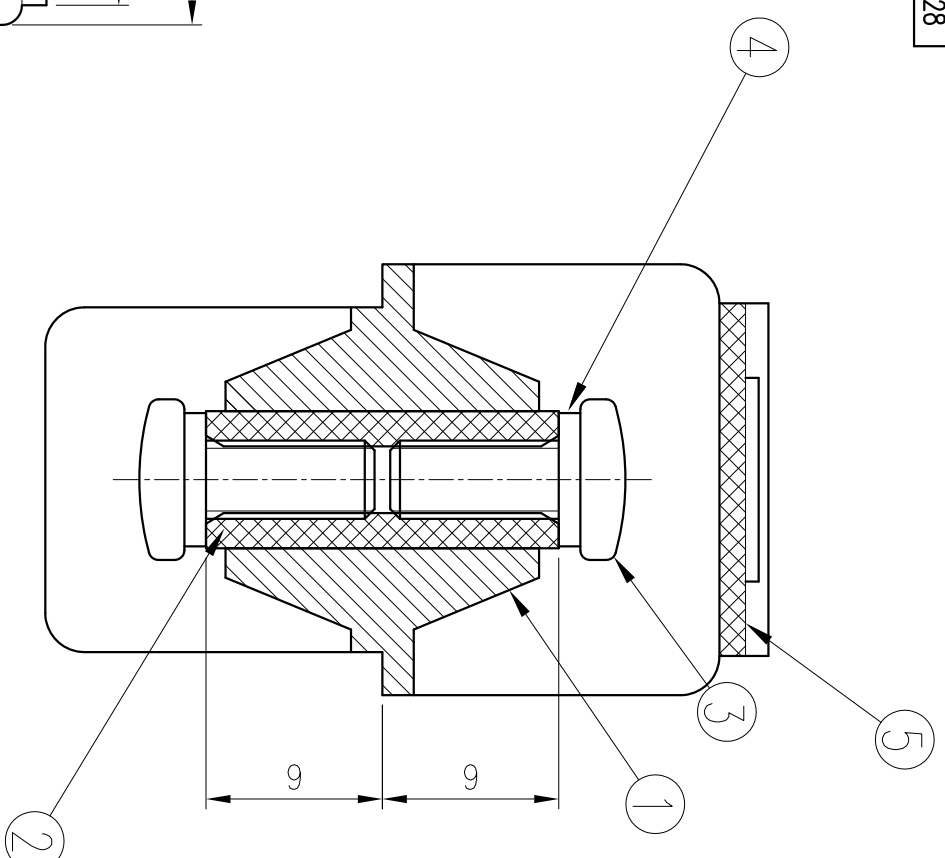
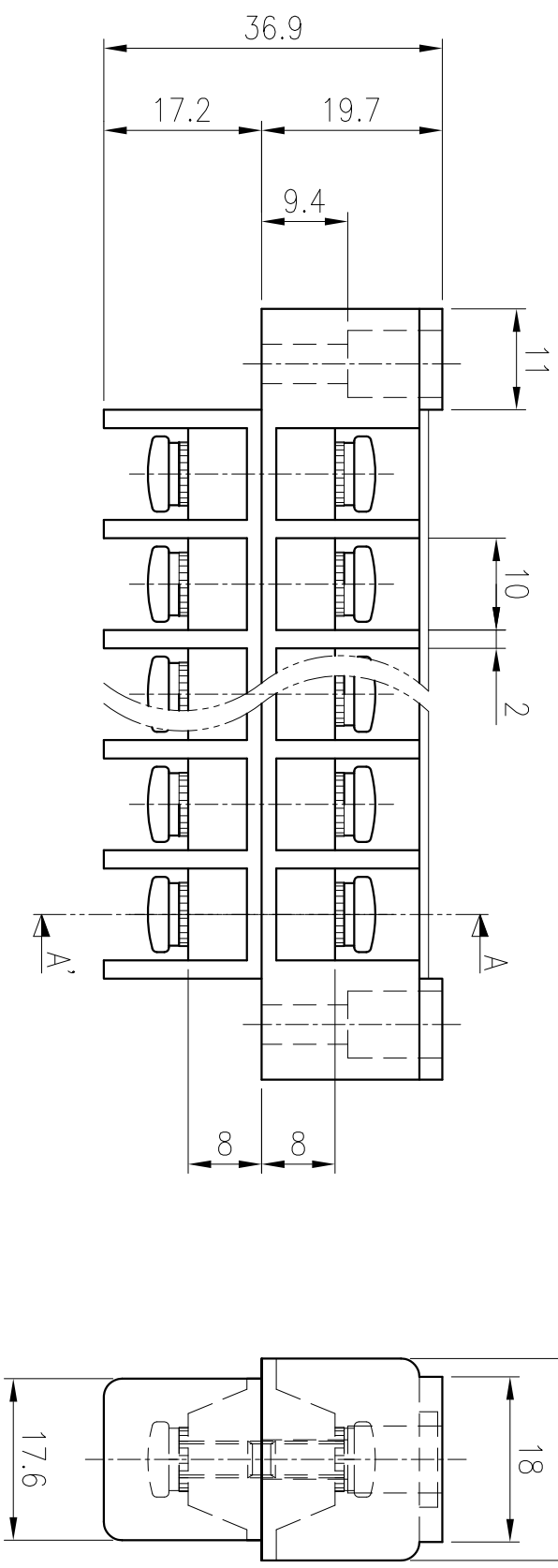
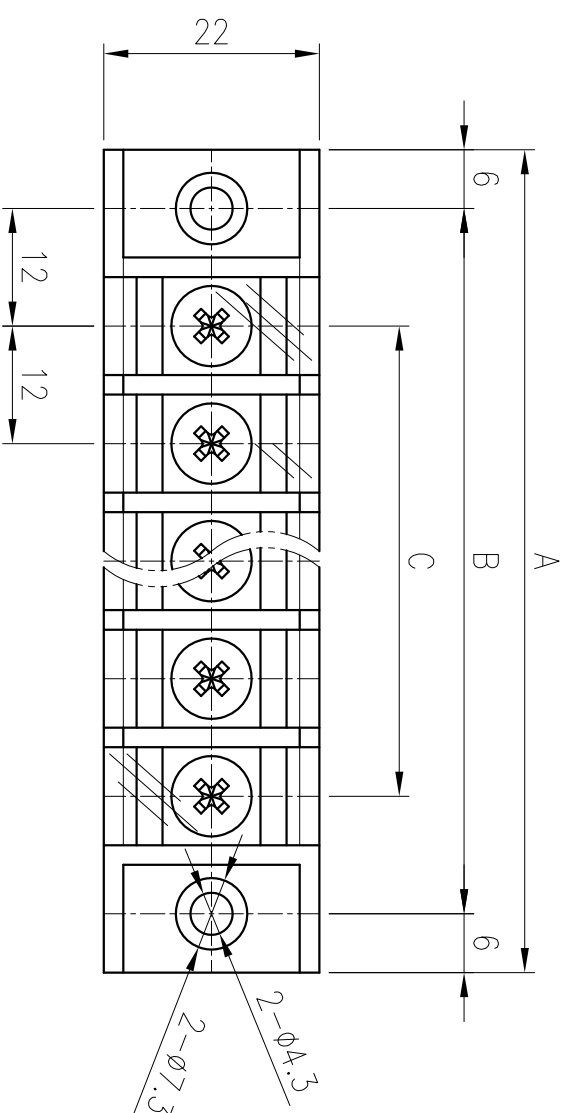


P	1	2	3	4	5	6	7	8	9	10	11	12	13	14	15	16	17	18	19	20
A±0.8	-	48	60	72	84	96	108	120	132	144	156	168	180	192	204	216	228	240	252	264
B±0.8	-	36	48	60	72	84	96	108	120	132	144	156	168	180	192	204	216	228	240	252
C±0.5	-	12	24	36	48	60	72	84	96	108	120	132	144	156	168	180	192	204	216	228

COMMERCIAL TOLERANCE	
0.5 to 3	± 0.12
over 3 to 6	± 0.16
over 6 to 10	± 0.18
over 10 to 18	± 0.22
over 18 to 30	± 0.25
over 30 to 50	± 0.3
over 50 to 80	± 0.35



SPECIFICATION

1. 정격 : 600V 30A
2. 절연 저항 : DC 500V 1000MΩ 이상
3. 내전압 : AC2000V/min
4. 사용온도범위 : -40°C ~ 85°C
5. 조임 Torque 권고치 : 8kgf·cm 이내

*본 제품은 유해 물질 관리 기준치를 초과하지 않는 제품임 (RoHS Compliance)												
DRAWN	CHECKED	CHECKED	CHECKED	APPROVED	THIRD ANGLE PROJECTION							
W.R.KIM					DATE.	UNIT	SCALE					
09.03.20					2009.03.20	MM	1:1					
 BEE-RYONG ELECTRONICS CO., LTD.								DWG No.		BRT - 214		
 TYTLE								BR - 1200YDC				
⑤	COVER	PVC	1	LS100	NP							
④	WASHER	HSWR62	P*2	φ6.7*φ3.7*t1	Ni							
③	SCREW	SWCH10A	P*2	M4*9	Ni							
②	INSERT	BRASS	P	C3604BD								
①	FRAME	PBT	1	UL94V-0 (G30)	BK							
No.	PART No.	PART NAME	MATERIAL	Q'TY	REMARKS	FINISH						