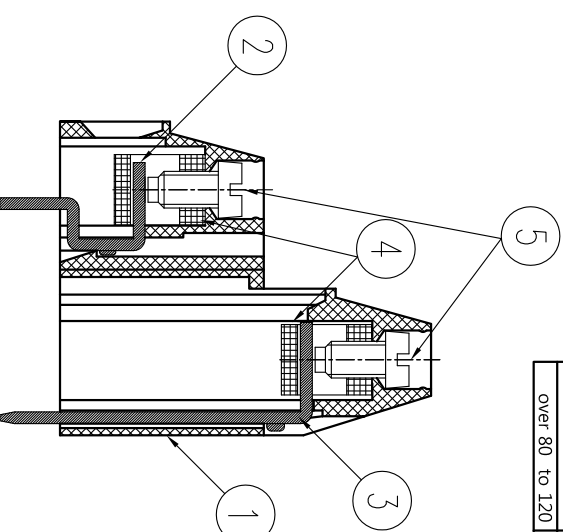
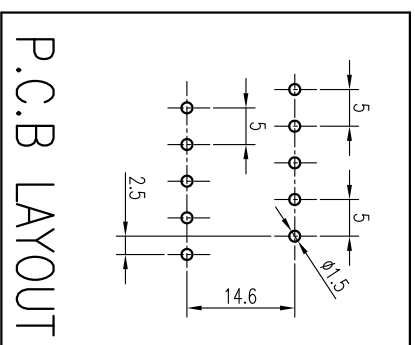
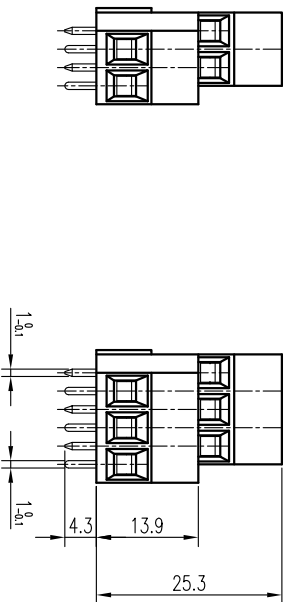
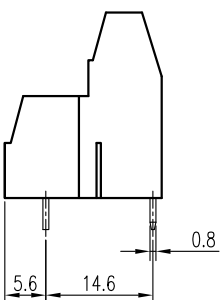
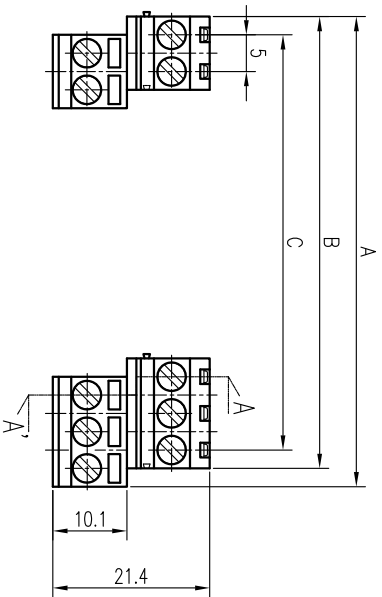


P	2	4	6	8	10	12	14	16	18	20	NP
A	-	12.5	17.5	22.5	27.5	32.5	37.5	42.5	47.5	52.5	NPX5/2+2.5
B	-	10	15	20	25	30	35	40	45	50	NPX5/2
C	-	5	10	15	20	25	30	35	40	45	(NP-1)X5/2



조립공차참조		COMMERCIAL TOLERANCE
P	"A"부 조립공차	0.5 to 3 ± 0.12
~ 10 P		over 3 to 6 ± 0.16
~ 20 P		over 6 to 10 ± 0.18
21 P 이상	원품 기준	over 10 to 18 ± 0.22
		over 18 to 30 ± 0.25
		over 30 to 50 ± 0.30
		over 50 to 80 ± 0.35
		over 80 to 120 ± 0.45

SPECIFICATION

- 1.정격 : 250V 10A
- 2.절연 저항 : DC 500V 1000MΩ 이상
- 3.내전압 : AC2000V/min
- 4.사용온도 범위: -40°C ~ 85°C
- 5.조임 Torque 권고치 : 4kgf·cm 이내

* 본 제품은 유해물질 관리 기준치를 초과하지 않는 제품임. (RoHS Compliance)

DRAWN	CHECKED	APPROVED	DATE	2016.07.07
S.M JUNG			UNIT	SCALE
16.07.07			mm	1:1



飛龍電子株式會社

BEE-RYONG ELECTRONICS CO.,LTD

TITLE		BR - 500C2	
DWG NO.	BRT - 017		

No.	PART NO.	PART NAME	MATERIAL	Q'TY	REMARKS	FINISH
⑤	BOLT	SCREW	SWCH10A	P	M2.5X4.8	NI
④	DAN-500R	REC TERMINAL (사각)	FREE-CUTTING BRASS(엑식활동)	P	C3604	NI
③	DAN-500C2	TERMINAL#2	BRASS	P/2	C2680R 1/2H t0.8	Sn
②	DAN-500C	TERMINAL	BRASS	P/2	C2680R 1/2H t0.8	Sn
①	SAC-500C2	FRAME	PA66	-	UL94V-0	GREEN