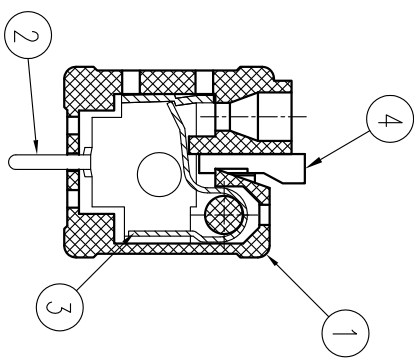
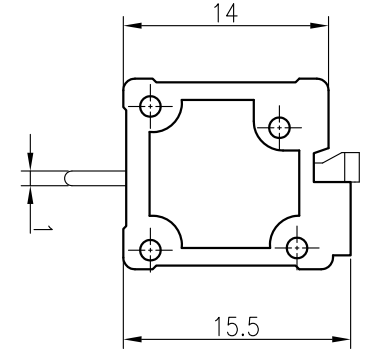
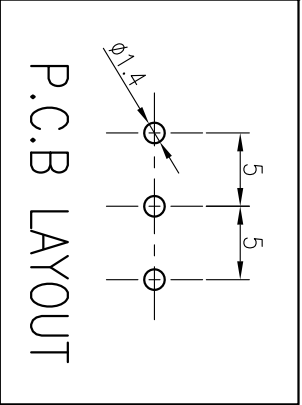
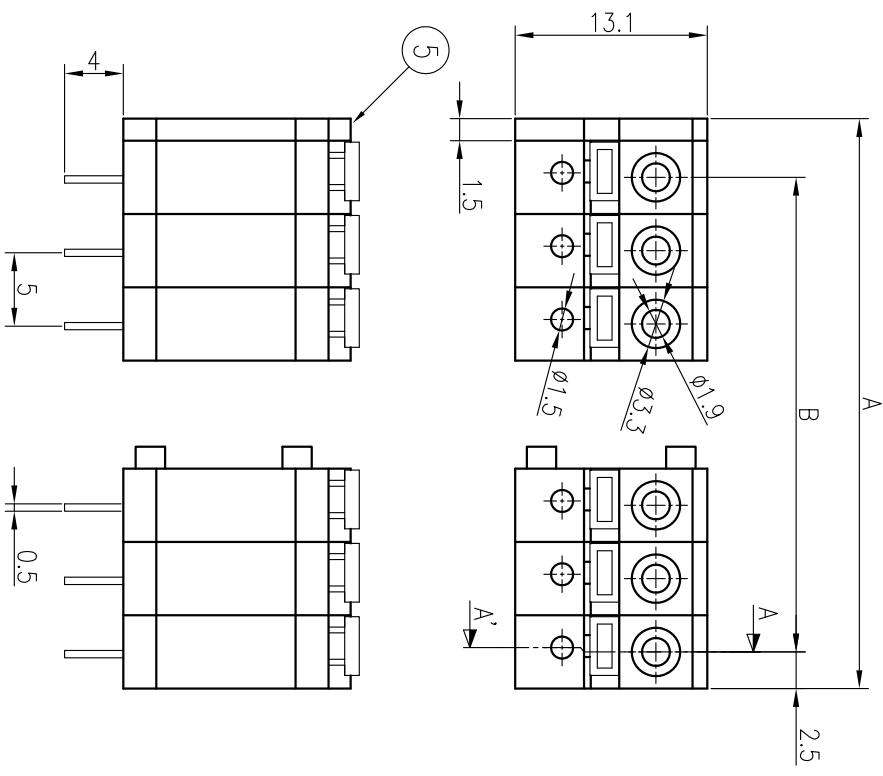


P	1	2	3	4	5	6	7	8	9	10	∞	No.	DATE	REVISIONS	APPROVED
A±0.8	-	11.5	16.5	21.5	26.5	31.5	36.5	41.5	46.5	51.5	PX5+1.5	1	11.07.20	기준의 A3K(V-2) 판매 중단으로 KN3322(V-0)로 재질 변경	
B±0.8	-	5	10	15	20	25	30	35	40	45	(P-1)X5	2			

COMMERCIAL TOLERANCE	
0.5 to 3	± 0.12
over 3 to 6	± 0.16
over 6 to 10	± 0.18
over 10 to 18	± 0.22
over 18 to 30	± 0.25
over 30 to 50	± 0.30
over 50 to 80	± 0.35
over 80 to 120	± 0.45



**SPECIFICATION**  
 1.정격 : 250V 10A  
 2.절연 저항 : DC 500V 1000MΩ 이상  
 3.내전압 : AC2000V/min  
 4.사용온도범위 : -40°C ~ 105°C

* 본 제품은 유해물질 관리 기준치를 초과하지 않는 제품임. (RoHS Compliance)												
DRAWN	CHECKED	APPROVED	DATE	2011.07.20	UNIT	SCALE	TITLE					
W.R. KIM					mm	2:1	BR - 500S1					
11.07.20							DWG NO.					
飛龍電子株式會社 BEE-RYONG ELECTRONICS CO.,LTD							BRT - 247					
No.	PART No.	PART NAME	MATERIAL	Q'TY	REMARKS	FINISH						
⑤	SACV-500S	SIDE COVER	PA66	1	UL94V-0	-						
④	DOT-500S	PUSH BUTTON	PA66	P	UL94V-0	BK						
③	SPR-500S	PLATE SPRING	SUS	P	SUS304 t0.35	-						
②	DAN-500S1	TERMINAL	BRASS	P	C2680R 1/2H t0.5	Sn						
①	SAC-500S	FRAME	PA66	P	UL94V-0	-						