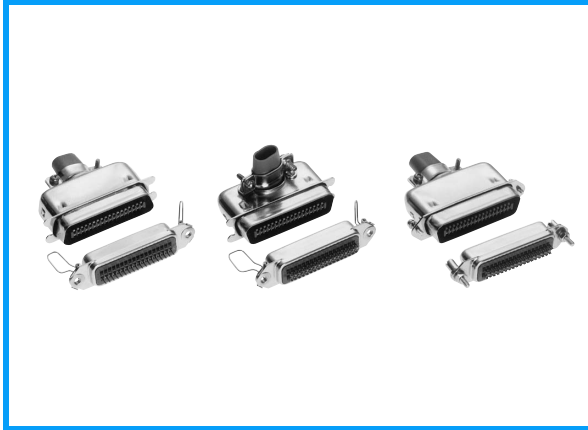


## Basic Version of Ribbon Connectors Solder Type



## FEATURE

- Stable connection by self-wiping and self-cleaning mechanism
- Available in various styles
- UL recognized (File No. E72124)
- Intermateable with 57 family connectors

## SPECIFICATION

Voltage rating	500V AC (rms)
Current rating	5A/contact
Dielectric withstanding voltage	1200V AC (rms) 1 minute
Contact resistance	5m $\Omega$ max.
Insulation resistance	1000M $\Omega$ min. at 500V DC
Wire accommodation	Solid: 22 AWG max. Stranded: 24 AWG max.

## MATERIAL/FINISH

Insulator	Diallyl phthalate resin (UL94V-0)/Blue
Contact	Copper alloy/Gold plating
Shell	Brass or Steel/Nickel plating
Spring Latch	Stainless steel

## ■ Cable to Panel Plug

### 57-30360R

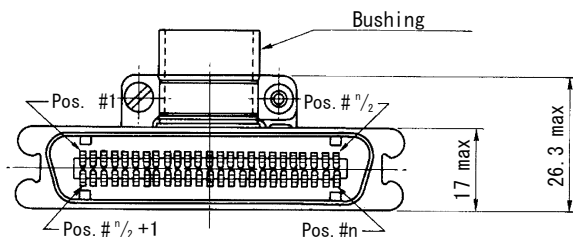
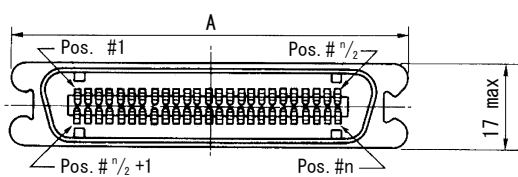
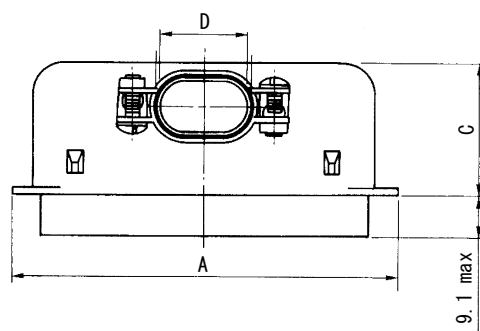
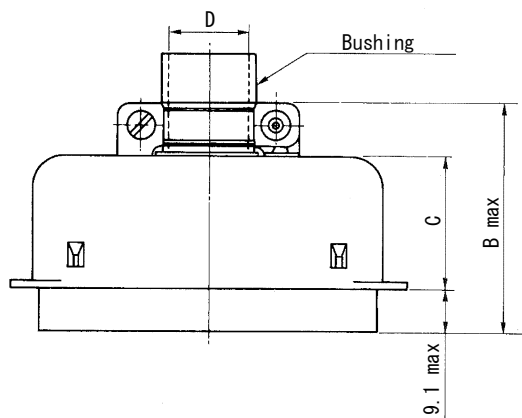
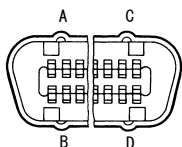
**NO. OF CONTACTS**  
14, 24, 36, 50

**HOUSING STYLE**

NO designation: Solder cup and dip solder type  
R: High barrier type

**KEY POSITION**

- 0: No key
- 1: "A" position
- 2: "B" position
- 3: "C" position
- 4: "D" position



Top cable entry

Side cable entry

NO. OF CONTACTS	Top cable entry		Side cable entry		A	B	C	D
	Solder cup	High-barrier	Solder cup	High-barrier				
14	57-3014□	57-3014□R	57-5014□	57-5014□R	37.8	41.4	21.4	6.5 × 9.8
24	57-3024□	57-3024□R	57-5024□	57-5024□R	48.6	41.0	21.0	11.1 × 9.8
36	57-3036□	57-3036□R	57-5036□	57-5036□R	61.6	43.0	23.0	13.9 × 9.8
50	57-3050□	57-3050□R	57-5050□	57-5050□R	76.7	45.4	25.4	17.0 × 9.8