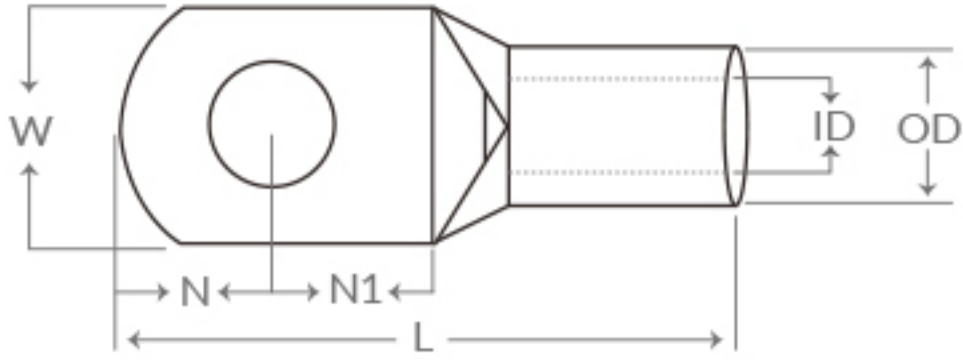


# 동관단자 1홀

| COMPRESSION TERMINAL - ONE HOLE |



Material : Copper (Tin Plating)

Part No.	Wire Range		Dimension (mm)						
	AWG	SQ	BID	W	N	N1	L	ID	OD
KSDO 1.5-4	20-16	1.5	4.5	6.5	4.2	4.3	16.5	1.8	2.8
KSDO 2.5-4	16-14	2.5	4.5	7.0	4.1	4.1	18.4	2.5	3.5
KSDO 4-4	14-12	4	4.5	7.2	4.2	5.8	21.0	3.6	4.6
KSDO 4-5		4	5.5	7.4	4.8	6.2	22.0	3.6	4.6
KSDO 6-5	12-10	6	5.5	8.8	5.0	6.0	21.5	4.3	5.5
KSDO 6-6			6.5	10.0	5.5	6.5	23.0	4.3	5.5
KSDO 10-6	8	10	6.5	10.6	6.0	7.0	27.5	5.0	6.7
KSDO 10-8			8.5	13.5	7.0	9.0	30.5	5.0	6.7
KSDO 16-6	6	16	6.5	12.4	6.0	8.0	29.0	5.8	7.4
KSDO 16-8			8.5	14.0	7.0	9.0	31.0	5.4	7.4
KSDO 16-10			10.5	13.4	7.0	12.0	30.5	6.1	6.9
KSDO 25-6	4	25	6.5	13.0	7.0	9.0	34.0	6.7	9.0
KSDO 25-8			8.5	13.0	7.0	9.0	34.0	6.7	9.0
KSDO 25-10			10.5	16.0	8.0	12.0	38.0	6.7	9.0
KSDO 35-6	2	35	6.5	16.0	7.5	10.0	39.5	8.1	10.6
KSDO 35-8			8.5	16.0	8.5	10.0	40.5	8.1	10.6
KSDO 35-10			10.5	17.0	10.0	11.5	43.5	8.1	10.6
KSDO 35-12			12.5	22.0	12.0	13.0	47.0	8.1	10.6
KSDO 50-8	1	50	8.5	18.0	8.5	11.5	48.0	9.5	12.0
KSDO 50-10			10.5	18.0	9.5	12.0	49.0	9.5	12.0
KSDO 50-12			12.5	20.0	10.0	13.0	50.0	9.5	12.0
KSDO 70-8	2/0	70	8.5	21.0	11.0	14.0	45.0	11.3	14.6
KSDO 70-10			10.5	21.0	11.0	14.0	45.0	11.3	14.6
KSDO 70-12			12.5	21.0	11.0	14.0	45.0	11.3	14.6
KSDO 95-10	3/0	95	10.5	24.5	14.5	16.5	64.0	13.5	17.0
KSDO 95-12			12.5	24.5	14.5	16.5	64.0	13.5	17.0
KSDO 120-10	4/0	120	10.5	27.5	14.5	16.5	73.5	17.0	21.0
KSDO 120-12			12.5	27.5	14.5	16.5	73.5	17.0	21.0
KSDO 150-10	250 MCM	150	11.0	30.5	14.5	16.5	73.5	17.0	21.0
KSDO 150-12			13.0	30.5	14.5	16.5	73.5	17.0	21.0
KSDO 185-12	300 MCM	185	13.0	34.0	14.5	16.5	77.0	19.0	23.5
KSDO 240-12	400 MCM	240	13.0	40.5	14.5	21.5	100.0	24.0	30.5
KSDO 300-12	500-600 MCM	300	13.0	44.5	14.5	21.5	100.0	24.0	30.5
KSDO 400-12	750 MCM	400	13.0	50.5	18.0	19.0	113.0	28.0	35.0
KSDO 500-12	1000 MCM	500	13.0	58.0	21.0	35.0	155.0	31.0	40.0
KSDO 630-12	1250 MCM	630	13.0	65.0	21.0	35.0	168.0	34.0	45.0