

Wafer | Housing | Terminal Series

4.2, 5.00, 5.08mm Pitch Connector Series



CHD1140-N -44-



CHD1140-N-N -45-



CTD1140 -46-



CHDW1140-N -47-



CTDP1140 -48-



LWD1140-N -49-



LAD1140-N(X) -50-



LAD1140-N-N(X) -51-



CHD 1145-03 -52-



CTD 1140-L -53-



HL-N1140-N -54-



LW1145-N -55-



LA1145-N -56-



CH1145-N -57-



LWP1145-N -58-



LAP1145-N -59-



CHP1145-N -60-



CH0508-04 -61-



CT0508 -62-



CH 6A7 ASS'Y -63-

4.2mm Pitch Wire to Board CHD 1140-N Crimp Terminal Housing

Features And Specifications

Electrical

- Voltage Rating : 250VAC max
- Current Rating : 9A max
- Contact Resistance : 30m Ω max
- Insulation Resistance : 1,000M Ω min
- Dielectric Withstanding Voltage : 1,000VAC for 60 seconds

Physical

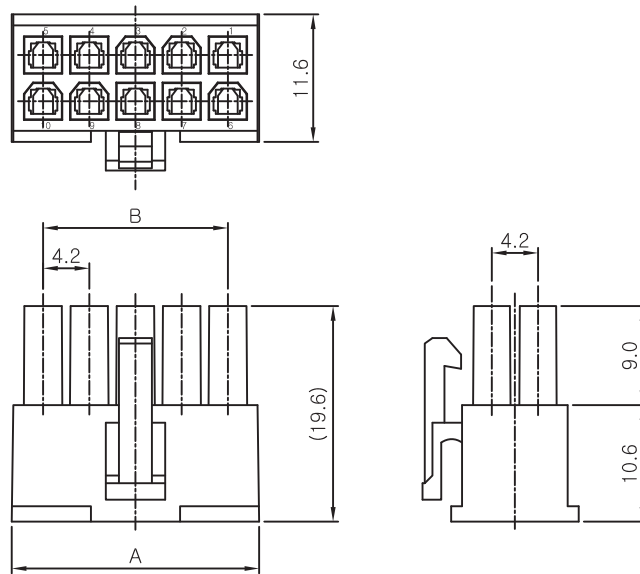
- Housing : Nylon66, UL94V Grade
- Operating Temperature : -40°C ~ +105°C

Reference Information

- Mates With : CHDW1140-N, LWD1140-N, LAD1140-N Series
- Use With : CTD1140
- Packing : Bag
- UL File No : E92854
- Designed In : Millimeters



Dimensions (For Reference Only)



Ordering Information And Dimensions

CKT	MODEL NO.	A	B	CKT	MODEL NO.	A	B
2	CHD1140-02	5.40	-	14	CHD1140-14	30.60	25.20
4	CHD1140-04	9.60	4.20	16	CHD1140-16	34.80	29.40
6	CHD1140-06	13.80	8.40	18	CHD1140-18	39.00	33.60
8	CHD1140-08	18.00	12.60	20	CHD1140-20	43.20	37.80
10	CHD1140-10	22.20	16.80	22	CHD1140-22	47.40	42.00
12	CHD1140-12	26.40	21.00	24	CHD1140-24	51.60	46.20

4.2mm Pitch Wire to Board CHD 1140-N-N Crimp Terminal Housing (Single Low)

Features And Specifications

Electrical

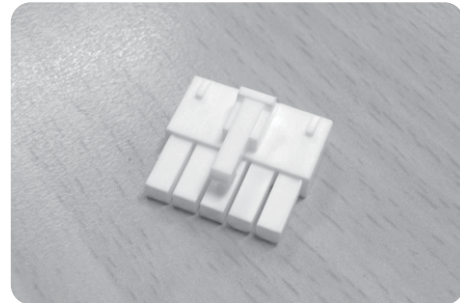
- Voltage Rating : 250VAC max
- Current Rating : 9A max
- Contact Resistance : 30m Ω max
- Insulation Resistance : 1,000M Ω min
- Dielectric Withstanding Voltage : 1,000VAC for 60 seconds

Physical

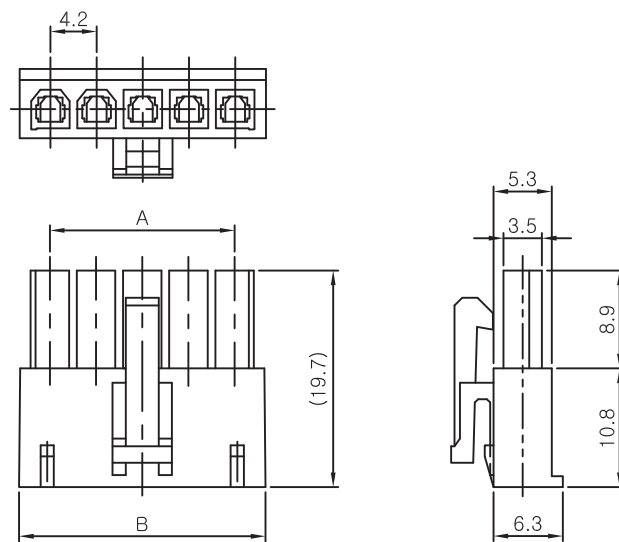
- Housing : Nylon66, UL94V Grade
- Operating Temperature : -40°C ~ +105°C

Reference Information

- Mates With : LAD1140-N-N Series
- Use With : CTD1140,HL-N1140-N Series
- Packing : Bag
- UL File No : E92854
- Designed In : Millimeters



Dimensions (For Reference Only)



Ordering Information And Dimensions

CKT	MODEL NO.	A	B
5	CHD1140-05	16.80	22.20

4.2mm Pitch Wire to Board CTD 1140 Crimp Terminal

Features And Specifications

Electrical

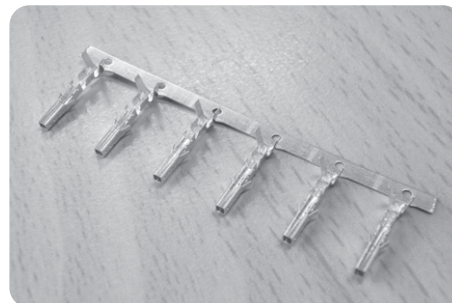
- Voltage Rating : 250VAC max
- Current Rating : 9A max
- Contact Resistance : 30m Ω max
- Insulation Resistance : 1,000M Ω min
- Dielectric Withstanding Voltage : 1,000VAC for 60 seconds

Physical

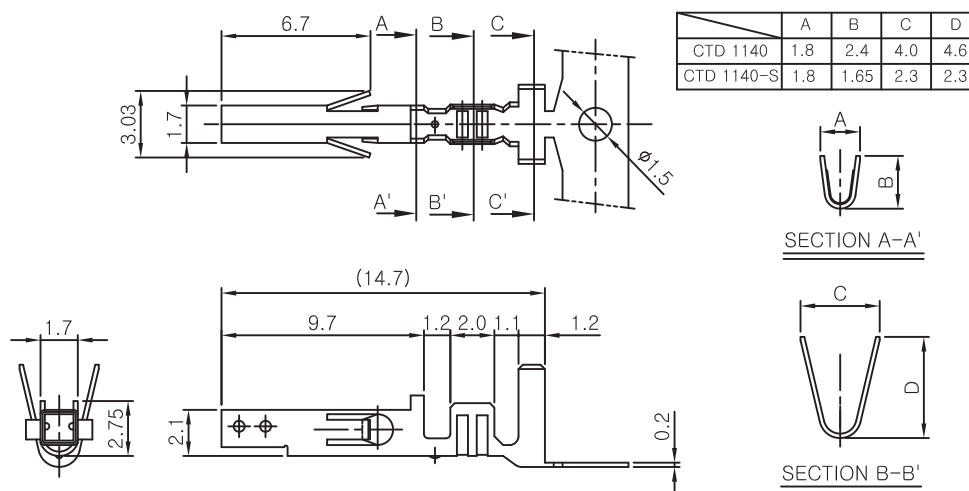
- Terminal : Brass, Tin Plated
- Operating Temperature : -40 $^{\circ}$ C ~ +105 $^{\circ}$ C

Reference Information

- Applicable Wire : AWG#18~#28
- Use With : CHD1140-N, CHD1140-N-N Series
- Packing : Reel
- UL File No : E92854
- Designed In : Millimeters



Dimensions (For Reference Only)



Ordering Information And Dimensions

Order No.	Packing	Wire Gauge	Insulation Diameter	Contact Material
CTD1140	4,000Pcs/Reel	AWG#18~#28	Φ 1.8 Max, Φ 3.1 Max	Tin Plated Brass
	Loose			
CTD1140-S	6,000Pcs/Reel	AWG#22~#28	Φ 1.8 Max, Φ 3.1 Max	Tin Plated Brass
	Loose			

4.2mm Pitch Wire to Wire CHDW 1140-N Crimp Terminal Housing

Features And Specifications

Electrical

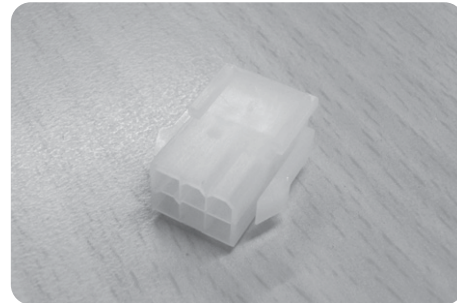
- Voltage Rating : 250VAC max
- Current Rating : 9A max
- Contact Resistance : 30m Ω max
- Insulation Resistance : 1,000M Ω min
- Dielectric Withstanding Voltage : 1,000VAC for 60 seconds

Physical

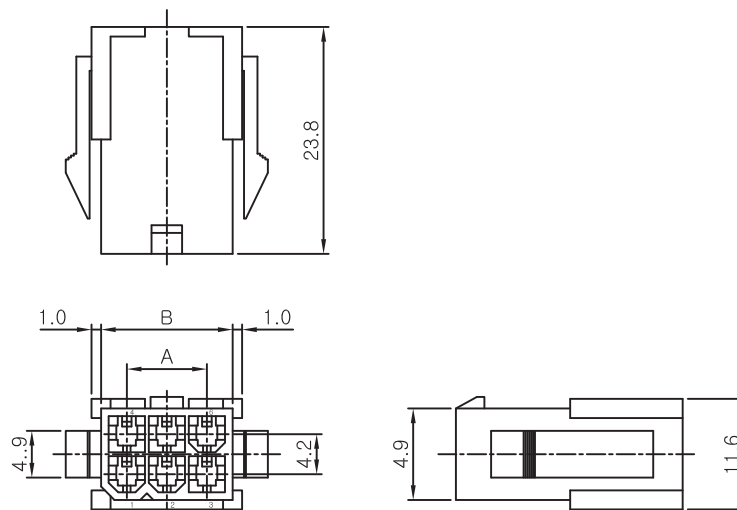
- Housing : Nylon66, UL94V Grade
- Operating Temperature : -40°C ~ +105°C

Reference Information

- Mates With : CHD1140-N Series
- Use With : CTD1140
- Packing : Bag
- UL File No : E92854
- Designed In : Millimeters



Dimensions (For Reference Only)



Ordering Information And Dimensions

CKT	MODEL NO.	A	B	CKT	MODEL NO.	A	B
2	CHDW1140-02	-	5.40				
4	CHDW1140-04	4.20	9.60				
6	CHDW1140-06	8.40	13.80				
20	CHDW1140-20	37.80	43.20				

4.2mm Pitch Wire to Wire CTDP 1140 Crimp Terminal

Features And Specifications

Electrical

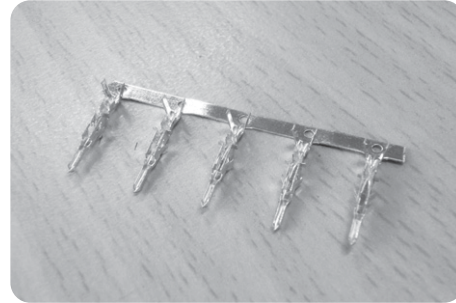
- Voltage Rating : 250VAC max
- Current Rating : 9A max
- Contact Resistance : 30m Ω max
- Insulation Resistance : 1,000M Ω min
- Dielectric Withstanding Voltage : 1,000VAC for 60 seconds

Physical

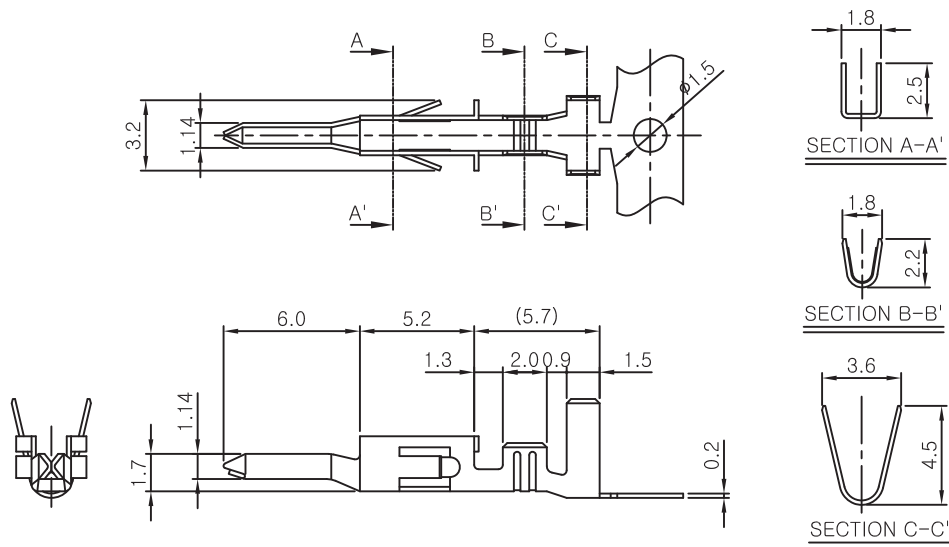
- Terminal : Brass, Tin Plated
- Operating Temperature : -40 $^{\circ}$ C ~ +105 $^{\circ}$ C

Reference Information

- Applicable Wire : AWG#18~#28
- Use With : CHDW1140-N-N Series
- Packing : Reel
- UL File No : E92854
- Designed In : Millimeters



Dimensions (For Reference Only)



Ordering Information And Dimensions

Order No.	Packing	Wire Gauge	Insulation Diameter	Contact Material
CTDP1140	4,000Pcs/Reel	AWG#18~#28	Φ 1.8 Max, Φ 3.1 Max	Tin Plated Brass
	Loose			

4.2mm Pitch Wire to Board LWD 1140-N Lock Wafer

Features And Specifications

Electrical

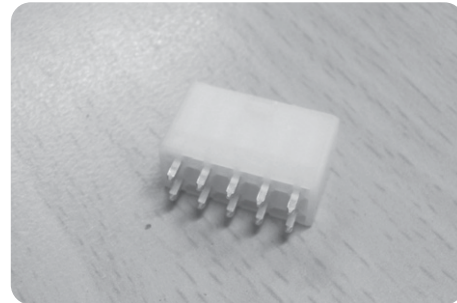
- Voltage Rating : 250VAC max
- Current Rating : 9A max
- Contact Resistance : 30m Ω max
- Insulation Resistance : 1,000M Ω min
- Dielectric Withstanding Voltage : 1000VAC for 60 seconds

Physical

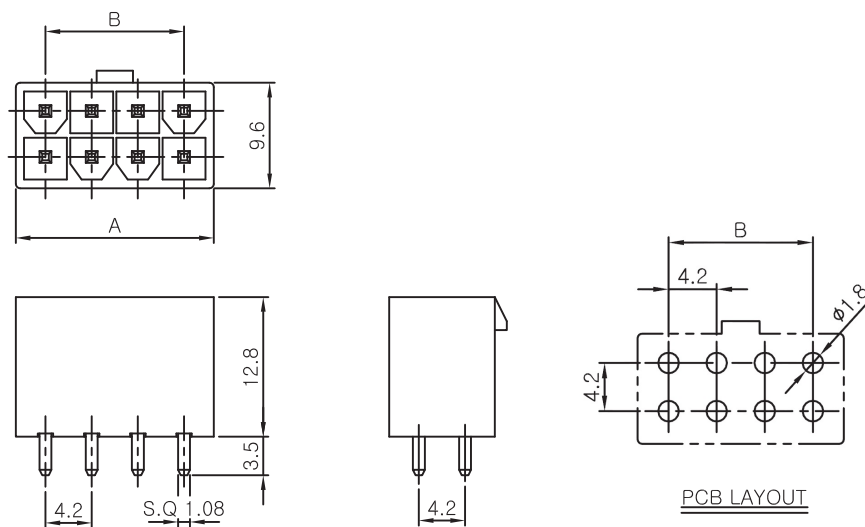
- Housing : Nylon66, UL94V Grade
- Pin : 1.08mm Square Brass Pin, Tin Plated
- Operating Temperature : -40°C ~ +105°C

Reference Information

- Mates With : CHD1140-N Series
- Packing : Bag
- UL File No. : E92854
- Designed In : Millimeters



Dimensions (For Reference Only)



Ordering Information And Dimensions

CKT	MODEL NO.	A	B	CKT	MODEL NO.	A	B
2	LWD1140-02	5.4	-	14	LWD1140-14	30.6	25.2
4	LWD1140-04	9.6	4.2	16	LWD1140-16	34.8	29.4
6	LWD1140-06	13.8	8.4	18	LWD1140-18	39.0	33.6
8	LWD1140-08	18.0	12.6	20	LWD1140-20	43.2	37.8
10	LWD1140-10	22.2	16.8	22	LWD1140-22	47.4	42.0
12	LWD1140-12	26.4	21.0	24	LWD1140-24	51.6	46.2

4.2mm Pitch Wire to Board LAD 1140-N(X) Lock Angle Wafer

Features And Specifications

Electrical

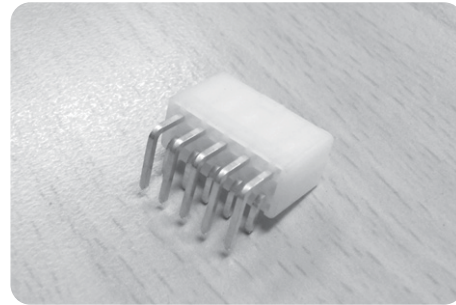
- Voltage Rating : 250VAC max
- Current Rating : 9A max
- Contact Resistance : 30m Ω max
- Insulation Resistance : 1,000M Ω min
- Dielectric Withstanding Voltage : 1000VAC for 60 seconds

Physical

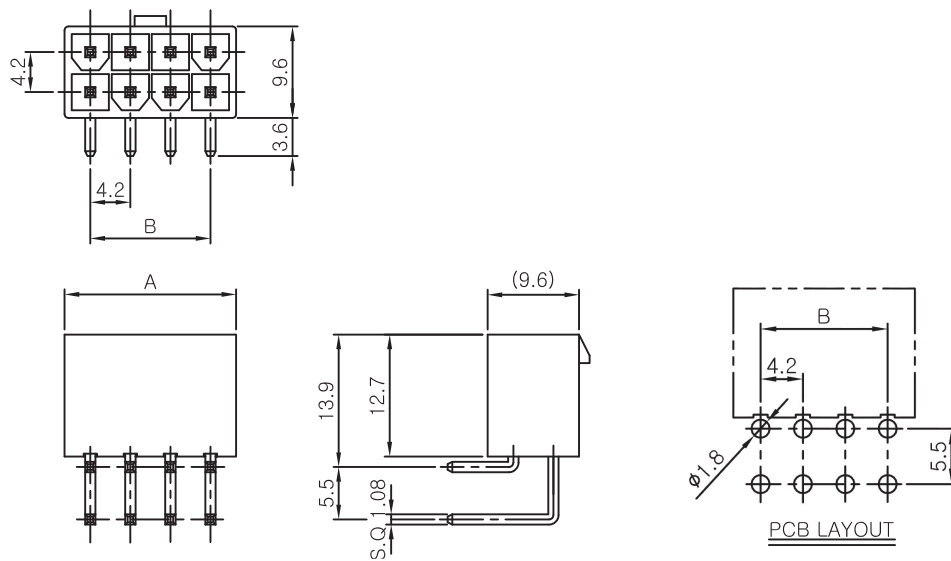
- Housing : Nylon66, UL94V Grade
- Pin : 1.08mm Square Brass Pin, Tin Plated
- Operating Temperature : -40°C ~ +105°C

Reference Information

- Mates With : CHD1140-N Series
- Packing : Bag
- UL File No. : E92854
- Designed In : Millimeters



Dimensions (For Reference Only)



Ordering Information And Dimensions

CKT	MODEL NO.	A	B	CKT	MODEL NO.	A	B
2	LAD1140-02(X)	5.4	-	14	LAD1140-14(X)	30.6	25.2
4	LAD1140-04(X)	9.6	4.2	16	LAD1140-16(X)	34.8	29.4
6	LAD1140-06(X)	13.8	8.4	18	LAD1140-18(X)	39.0	33.6
8	LAD1140-08(X)	18.0	12.6	20	LAD1140-20(X)	43.2	37.8
10	LAD1140-10(X)	22.2	16.8	22	LAD1140-22(X)	47.4	42.0
12	LAD1140-12(X)	26.4	21.0	24	LAD1140-24(X)	51.6	46.2

4.2mm Pitch Wire to Board LAD 1140-N-N(X) Lock Angle Wafer (Single Low)

Features And Specifications

Electrical

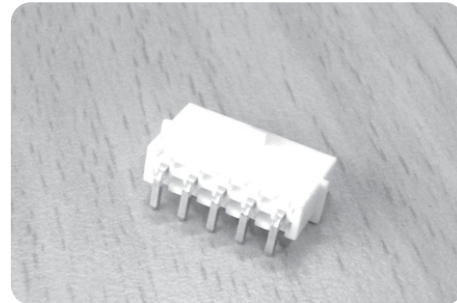
- Voltage Rating : 250VAC max
- Current Rating : 9A max
- Contact Resistance : 30m Ω max
- Insulation Resistance : 1,000M Ω min
- Dielectric Withstanding Voltage : 1000VAC for 60 seconds

Physical

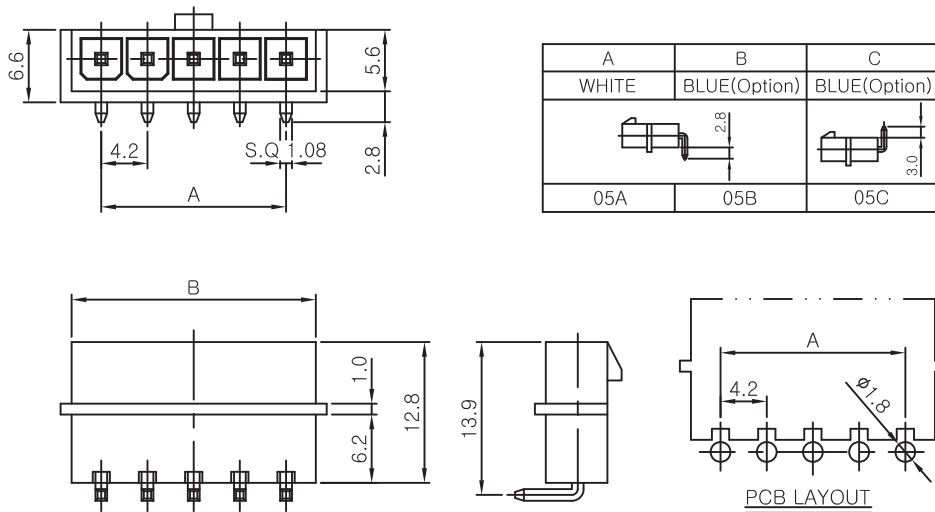
- Housing : Nylon66, UL94V Grade
- Pin : 1.08mm Square Brass Pin, Tin Plated
- Operating Temperature : -40 $^{\circ}$ C ~ +105 $^{\circ}$ C

Reference Information

- Mates With : CHD1140-N-N Series
- Packing : Bag
- UL File No. : E92854
- Designed In : Millimeters



Dimensions (For Reference Only)



Ordering Information And Dimensions

CKT	MODEL NO.	A	B
5	LAD1140-05	16.8	22.2

4.2mm Pitch Wire to Board HL-N1140-N Housing Rear Holder

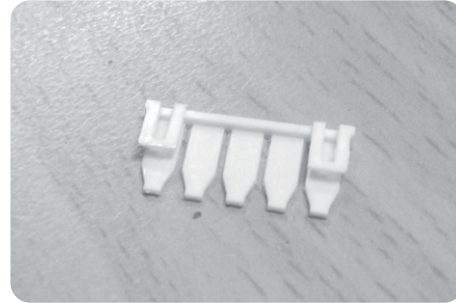
Features And Specifications

Physical

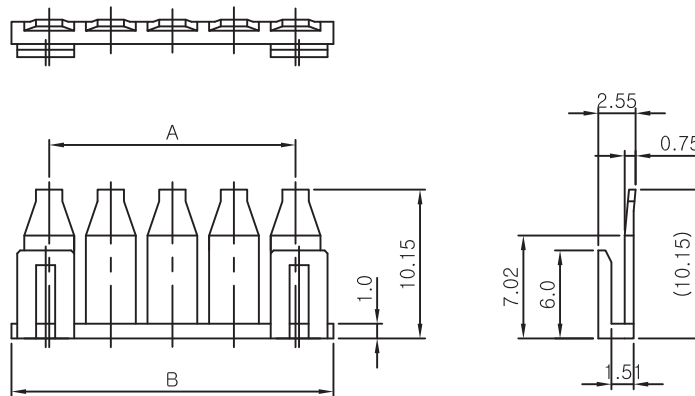
- Housing : Nylon66, UL94V Grade
- Operating Temperature : -40°C ~ +105°C

Reference Information

- Mates With : CHD1140-N-N Series
- Packing : Bag
- Designed In : Millimeters



Dimensions (For Reference Only)



Ordering Information And Dimensions

CKT	MODEL NO.	A	B
5	HL-N1140-06	16.8	21.96

5.0mm Pitch Wire to Board CHD 1145-03 Crimp Terminal Housing

Features And Specifications

Electrical

- Voltage Rating : 250VAC max
- Current Rating : 9A max
- Contact Resistance : 30m Ω max
- Insulation Resistance : 1,000M Ω min
- Dielectric Withstanding Voltage : 1,000VAC for 60 seconds

Physical

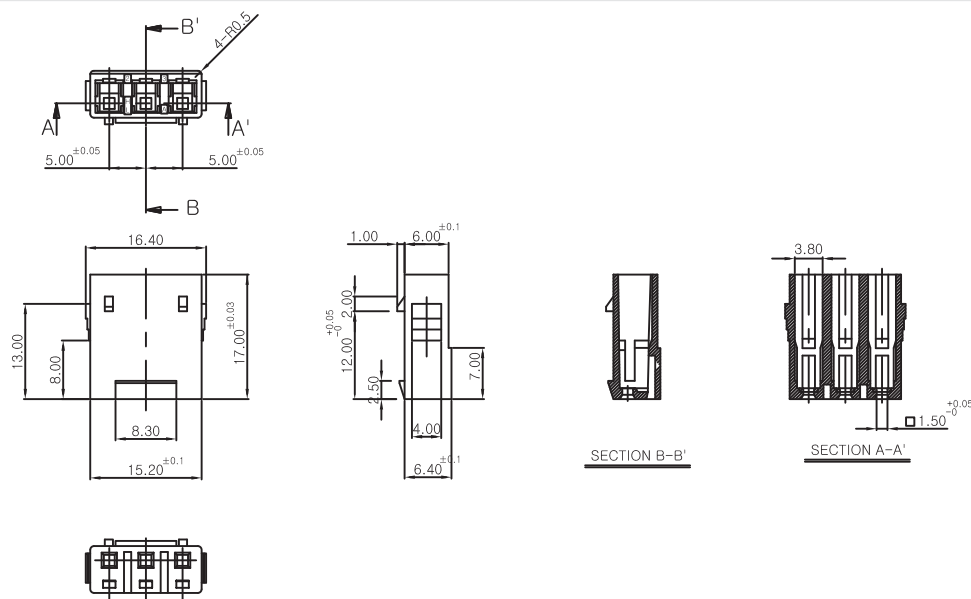
- Housing : Nylon66, UL94V Grade
- Operating Temperature : -40°C ~ +105°C

Reference Information

- Use With : CTB1145
- Packing : Bag
- Designed In : Millimeters



Dimensions (For Reference Only)



Ordering Information And Dimensions

5.0mm Pitch Wire to Board CTD 1140-L Crimp Terminal

Features And Specifications

Electrical

- Voltage Rating : 250VAC max
- Current Rating : 9A max
- Contact Resistance : 30m Ω max
- Insulation Resistance : 1,000M Ω min
- Dielectric Withstanding Voltage : 1,000VAC for 60 seconds

Physical

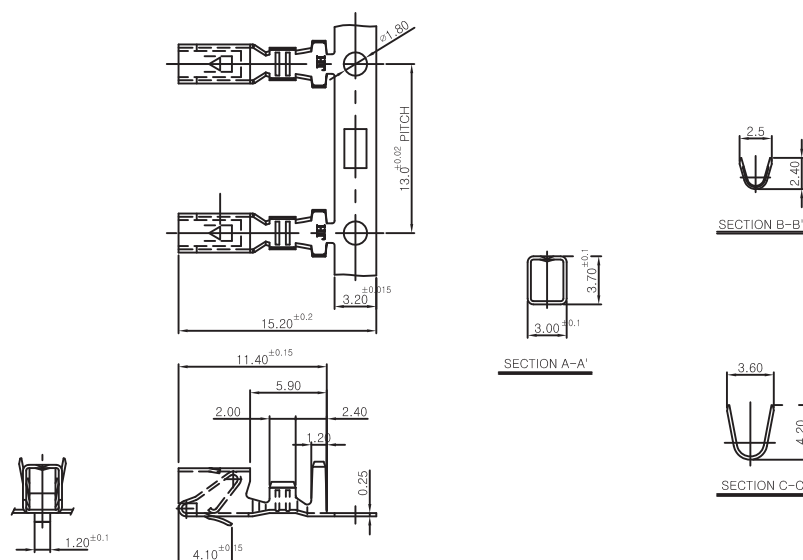
- Terminal : Brass, Tin Plated
- Operating Temperature : -40 $^{\circ}$ C ~ +105 $^{\circ}$ C

Reference Information

- Applicable Wire : AWG#20~#24
- Use With : CHD1145-03
- Packing : Reel
- Designed In : Millimeters



Dimensions (For Reference Only)



Ordering Information And Dimensions

Order No.	Packing	WireGauge	Insulation Diameter	Contact Material
CTD 1140-L	4,000Pcs/Reel	AWG#20~#24	Φ 1.8~ Φ 3.1mm Max	Brass Tin Plated
	Loose			

5.0mm Pitch Wire to Board LW 1145-N Lock Wafer

Features And Specifications

Electrical

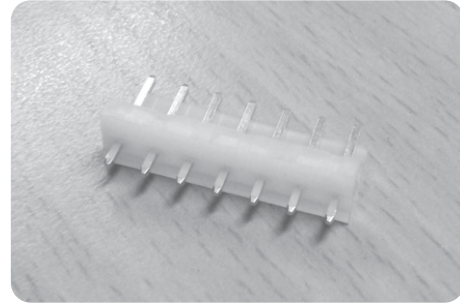
- Voltage Rating : 250VAC max
- Current Rating : 7A max
- Contact Resistance : 30m Ω max
- Insulation Resistance : 1,000M Ω min
- Dielectric Withstanding Voltage : 1,000VAC for 60 seconds

Physical

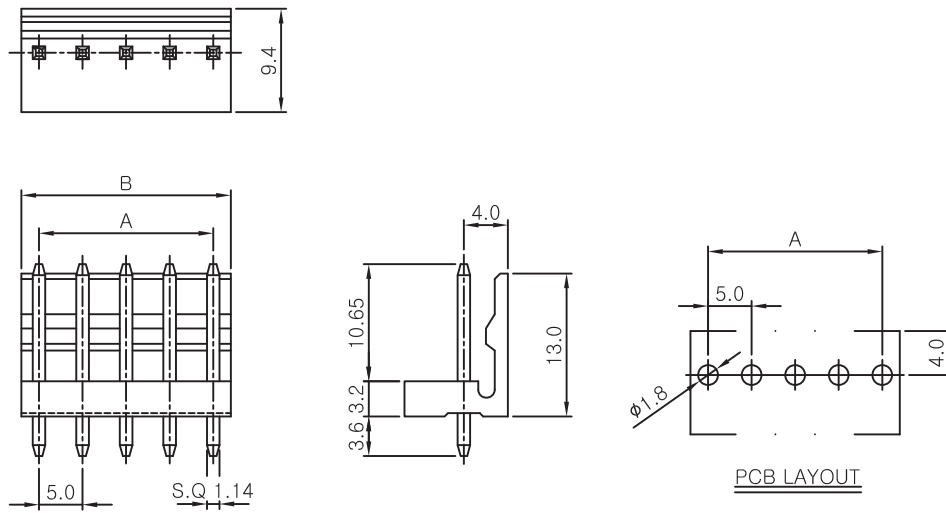
- Housing : Nylon66, UL94V Grade
- Pin : 1.14mm Square Brass Pin, Tin Plated
- Operating Temperature : -40°C ~ +105°C

Reference Information

- Mates With : CH1145-N Series
- Packing : Bag
- UL File No. : E92854
- Designed In : Millimeters



Dimensions (For Reference Only)



Ordering Information And Dimensions

CKT	MODEL NO.	A	B	CKT	MODEL NO.	A	B
2	LW1145-02	5.00	9.40	6	LW1145-06	25.00	29.40
3	LW1145-03	10.00	14.40	7	LW1145-07	30.00	34.40
4	LW1145-04	15.00	19.40	8	LW1145-08	35.00	39.40
5	LW1145-05	20.00	24.40				

5.0mm Pitch Wire to Board LA 1145-N Lock Angle Wafer

Features And Specifications

Electrical

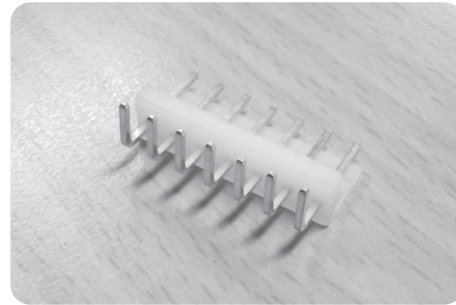
- Voltage Rating : 250VAC max
- Current Rating : 7A max
- Contact Resistance : 30m Ω max
- Insulation Resistance : 1,000M Ω min
- Dielectric Withstanding Voltage : 1,000VAC for 60 seconds

Physical

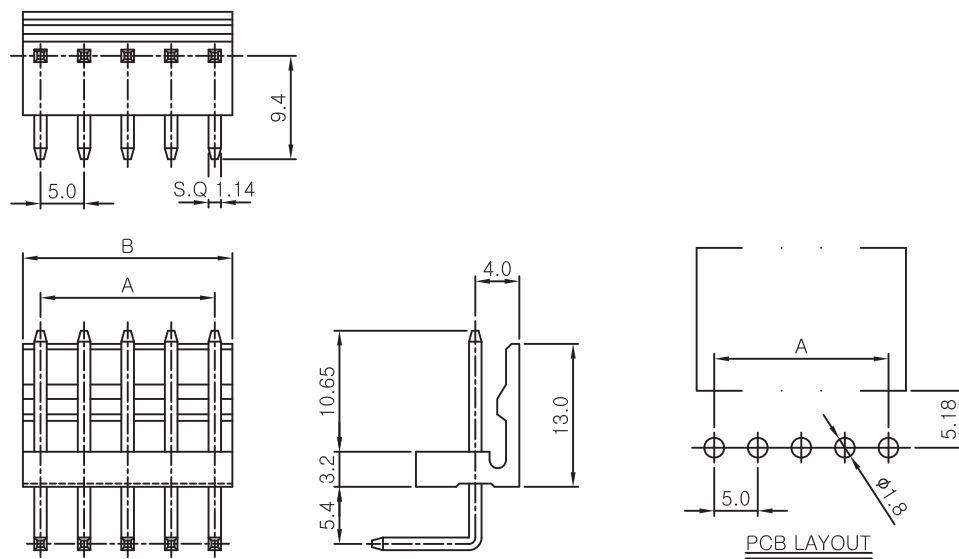
- Housing : Nylon66, UL94V Grade
- Pin : 1.14mm Square Brass Pin, Tin Plated
- Operating Temperature : -40°C ~ +105°C

Reference Information

- Mates With : CH1145-N Series
- Packing : Bag
- UL File No. : E92854
- Designed In : Millimeters



Dimensions (For Reference Only)



Ordering Information And Dimensions

CKT	MODEL NO.	A	B	CKT	MODEL NO.	A	B
2	LA1145-02	5.00	9.40	6	LA1145-06	25.00	29.40
3	LA1145-03	10.00	14.40	7	LA1145-07	30.00	34.40
4	LA1145-04	15.00	19.40	8	LA1145-08	35.00	39.40
5	LA1145-05	20.00	24.40				

5.0mm Pitch Wire to Board CH 1145-N Crimp Terminal Housing

Features And Specifications

Electrical

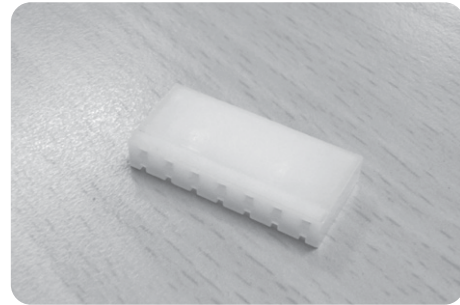
- Voltage Rating : 250VAC max
- Current Rating : 7A max
- Contact Resistance : 30m Ω max
- Insulation Resistance : 1,000M Ω min
- Dielectric Withstanding Voltage : 1,000VAC for 60 seconds

Physical

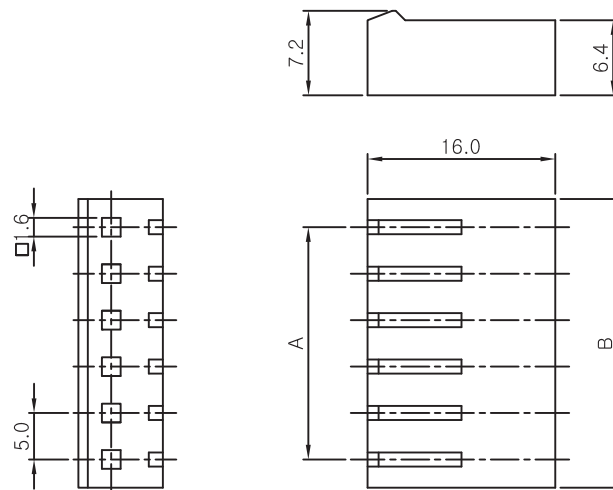
- Housing : Nylon66, UL94V Grade
- Operating Temperature : -40°C ~ +105°C

Reference Information

- Mates With : LW1145-N, LA1145-N, FW1145-N, FA1145-N Series
- Use With : CT1140
- Packing : Bag
- UL File No : E92854
- Designed In : Millimeters



Dimensions (For Reference Only)



Ordering Information And Dimensions

CKT	MODEL NO.	A	B	CKT	MODEL NO.	A	B
2	CH1145-02	5.00	10.20	6	CH1145-06	25.00	30.20
3	CH1145-03	10.00	15.20	7	CH1145-07	30.00	35.20
4	CH1145-04	15.00	20.20	8	CH1145-08	35.00	40.20
5	CH1145-05	20.00	25.20				

5.0mm Pitch Wire to Board LWP 1145-N Lock Polarizing Wafer

Features And Specifications

Electrical

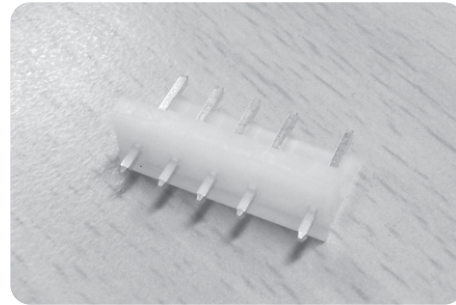
- Voltage Rating : 250VAC max
- Current Rating : 7A max
- Contact Resistance : 30m Ω max
- Insulation Resistance : 1,000M Ω min
- Dielectric Withstanding Voltage : 1,000VAC for 60 seconds

Physical

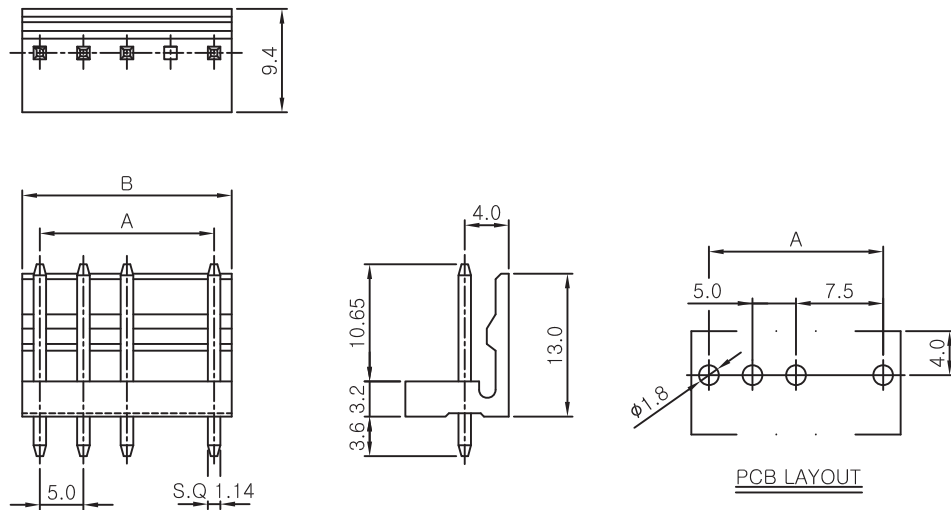
- Housing : Nylon66, UL94V Grade
- Pin : 1.14mm Square Brass Pin, Tin Plated
- Operating Temperature : -40°C ~ +105°C

Reference Information

- Mates With : CHP1145-N Series
- Packing : Bag
- UL File No. : E92854
- Designed In : Millimeters



Dimensions (For Reference Only)



Ordering Information And Dimensions

CKT	MODEL NO.	A	B	CKT	MODEL NO.	A	B
2	LWP1145-02	7.50	11.90	6	LWP1145-06	27.50	31.90
3	LWP1145-03	12.50	16.90	7	LWP1145-07	32.50	36.90
4	LWP1145-04	17.50	21.90	8	LWP1145-08	37.50	41.90
5	LWP1145-05	22.50	26.90	9	LWP1145-09	42.50	46.90

5.0mm Pitch Wire to Board LAP 1145-N Lock Polarizing Angle Wafer

Features And Specifications

Electrical

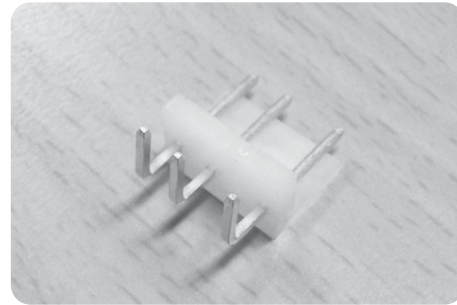
- Voltage Rating : 250VAC max
- Current Rating : 7A max
- Contact Resistance : 30m Ω max
- Insulation Resistance : 1,000M Ω min
- Dielectric Withstanding Voltage : 1,000VAC for 60 seconds

Physical

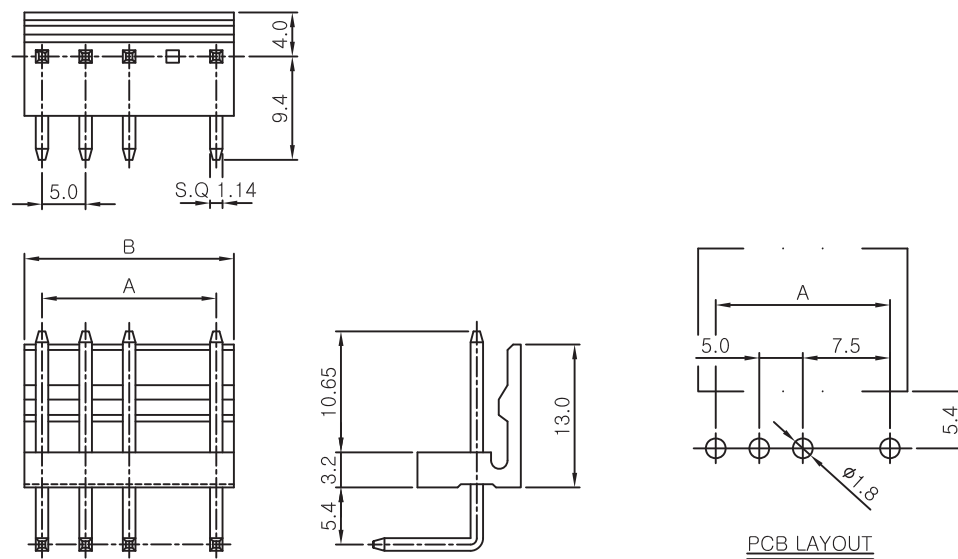
- Housing : Nylon66, UL94V Grade
- Pin : 1.14mm Square Brass Pin, Tin Plated
- Operating Temperature : -40°C ~ +105°C

Reference Information

- Mates With : CHP1145-N Series
- Packing : Bag
- UL File No. : E92854
- Designed In : Millimeters



Dimensions (For Reference Only)



Ordering Information And Dimensions

CKT	MODEL NO.	A	B	CKT	MODEL NO.	A	B
2	LAP1145-02	7.50	11.90	6	LAP1145-06	27.50	31.90
3	LAP1145-03	12.50	16.90	7	LAP1145-07	32.50	36.90
4	LAP1145-04	17.50	21.90	8	LAP1145-08	37.50	41.90
5	LAP1145-05	22.50	26.90	9	LAP1145-09	42.50	46.90

5.0mm Pitch Wire to Board CHP 1145-N Crimp Polarizing Housing

Features And Specifications

Electrical

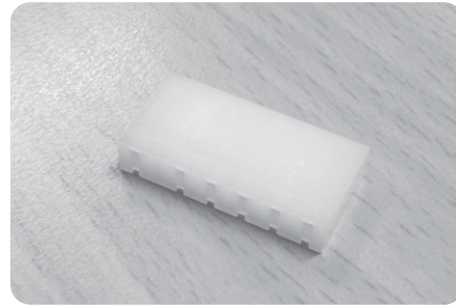
- Voltage Rating : 250VAC max
- Current Rating : 7A max
- Contact Resistance : 30m Ω max
- Insulation Resistance : 1,000M Ω min
- Dielectric Withstanding Voltage : 1,000VAC for 60 seconds

Physical

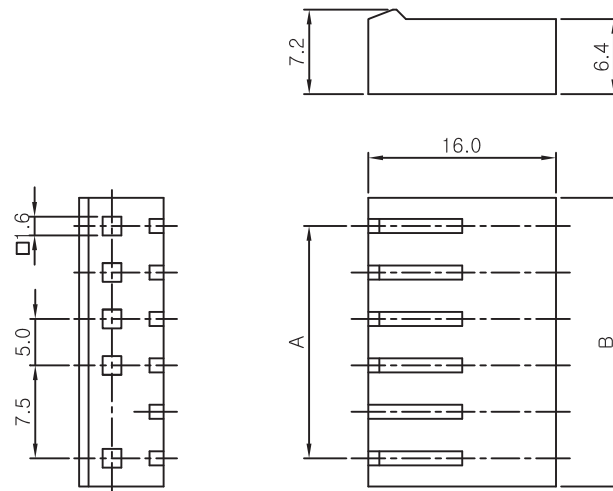
- Housing : Nylon66, UL94V Grade
- Operating Temperature : -40°C ~ +105°C

Reference Information

- Mates With : LWP1145-N, LAP1145-N, FWP1145-N, FAP1145-N Series
- Use With : CT1140
- Packing : Bag
- UL File No. : E92854
- Designed In : Millimeters



Dimensions (For Reference Only)



Ordering Information And Dimensions

CKT	MODEL NO.	A	B	CKT	MODEL NO.	A	B
2	CHP1145-02	7.50	12.70	6	CHP1145-06	27.50	32.70
3	CHP1145-03	12.50	17.70	7	CHP1145-07	32.50	37.70
4	CHP1145-04	17.50	22.70	8	CHP1145-08	37.50	42.70
5	CHP1145-05	22.50	27.70	9	CHP1145-09	42.50	47.70

5.0mm Pitch Wire to Board CH 0508-04 Crimp Terminal Housing

Features And Specifications

Electrical

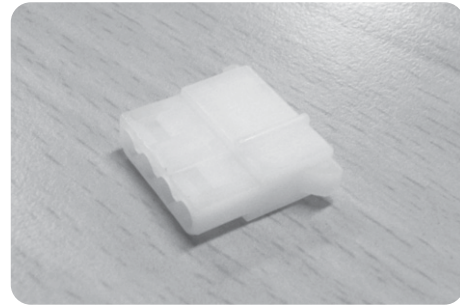
- Voltage Rating : 250VAC max
- Current Rating : 7A max
- Contact Resistance : 30m Ω max
- Insulation Resistance : 1,000M Ω min
- Dielectric Withstanding Voltage : 500VAC for 60 seconds

Physical

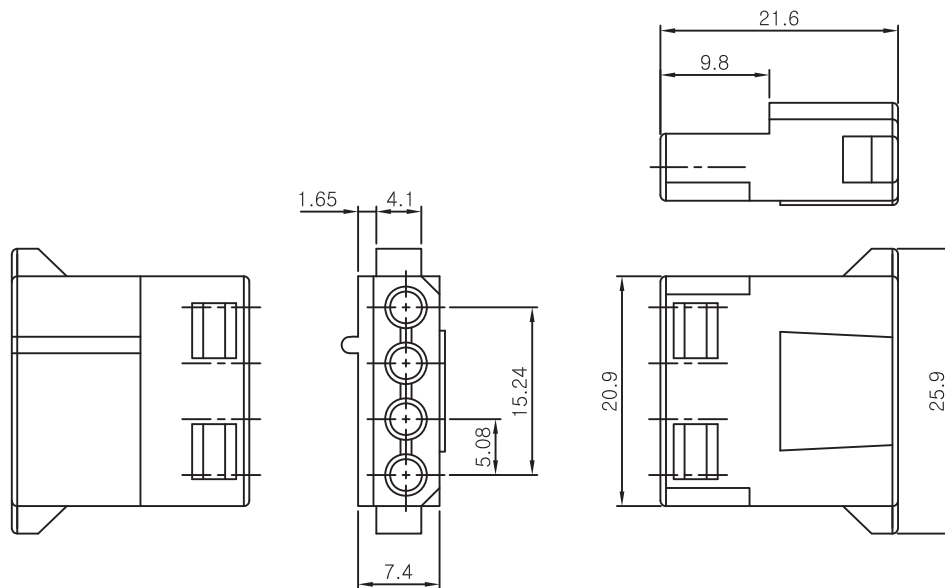
- Housing : Nylon66, UL94-V Grade
- Operating Temperature : -40°C ~ +105°C

Reference Information

- Use With : CT0508
- 4 Circuit Standard
- UL File No : E92854
- Designed In : Millimeters



Dimensions (For Reference Only)



5.08mm Pitch Wire to Board CT 0508 Crimp Terminal

Features And Specifications

Electrical

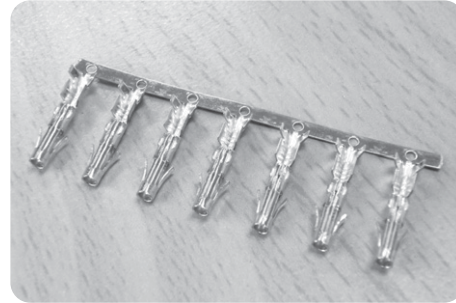
- Voltage Rating : 250VAC max
- Current Rating : 7A max
- Contact Resistance : 30m Ω max
- Insulation Resistance : 1,000M Ω min
- Dielectric Withstanding Voltage : 500VAC for 60 seconds

Physical

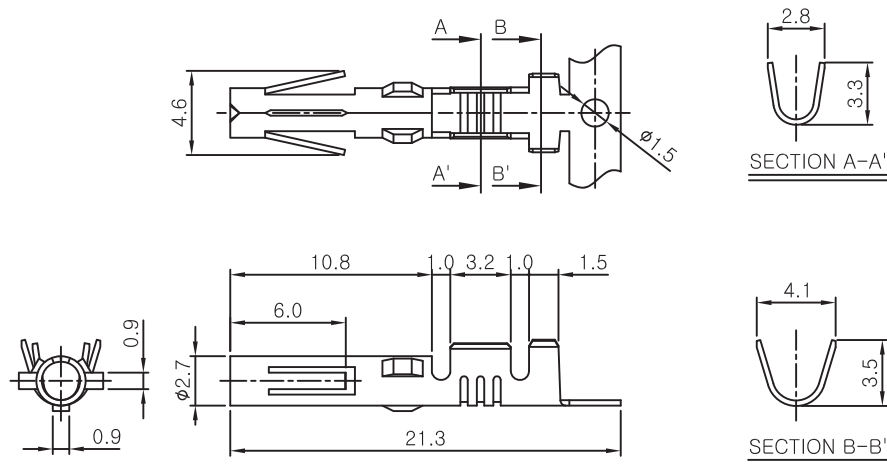
- Terminal : Brass, Tin Plated
- Operating Temperature : -40°C ~ +105°C

Reference Information

- Applicable Wire : AWG#18~#20
- Use With : CH0508-04
- Designed In : Millimeters



Dimensions (For Reference Only)



Ordering Information And Dimensions

Order No.	Packing	Wire Gauge	Insulation Diameter	Contact Material
CT0508	6,000 pcs / Reel	AWG#18~AWG#20	$\phi 1.8$ Max, $\phi 3.1$ Max	Brass Tin Plated
	Loose			

5.08mm Pitch Wire to Board CH 6A7 Ass'y Series IDC Connector (Disk Driver Power)

Features And Specifications

Electrical

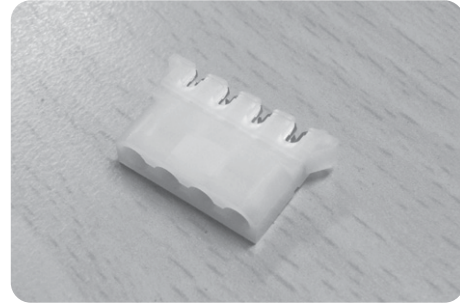
- Voltage Rating : 250VAC max
- Current Rating : 5A max
- Contact Resistance : 20m Ω max
- Insulation Resistance : 1,000M Ω min
- Dielectric Withstanding Voltage : 1500VAC for 60 seconds

Physical

- Housing : UL94V-2 Nylon resin
- Terminal : Phosphor Bronze, Tin Plated
- Operating Temperature : -25 $^{\circ}$ C ~ +105 $^{\circ}$ C

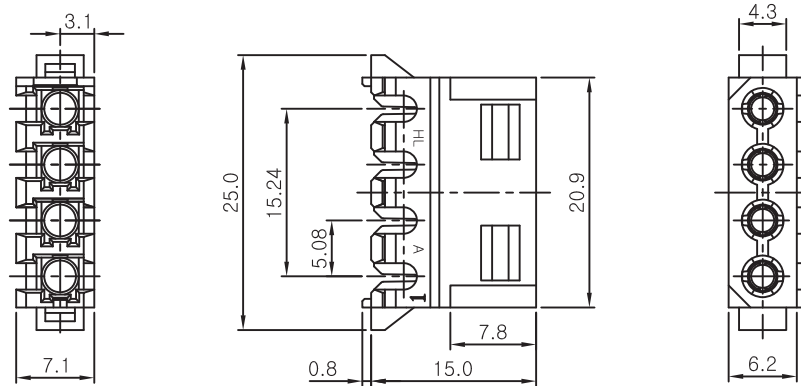
Reference Information

- Designed In : Millimeters

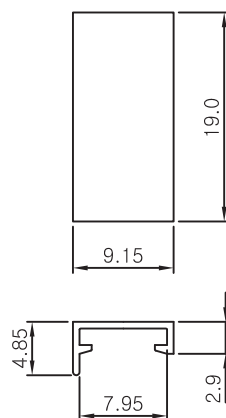


Dimensions (For Reference Only)

Model Name : CH6A7 Housing Ass'y



Model Name : HC6A7-CA(End Type)



Model Name : HC6A7-C(Through Type)

