

HSF

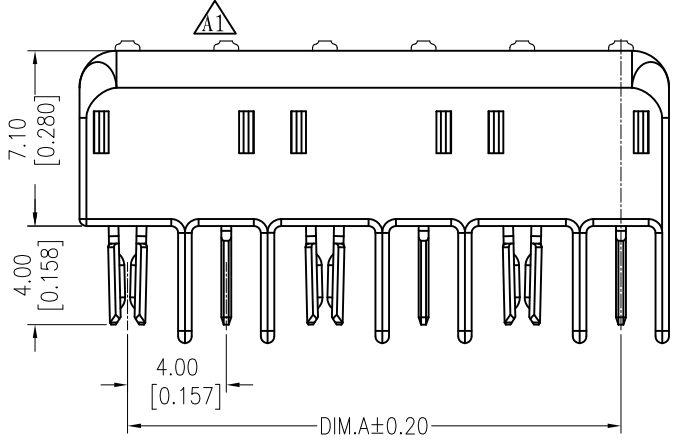
NOTES:
 Rated Current:6.0AMP
 Contact Resistance:18mΩ max
 Withstand Voltage:1500V AC/DC
 Insulation Resistance:1000MΩ min
 Operation Temperature:-40°C to +105°C

Contact Material:Phosphor Bronze
 Contact Plating:MATTE TIN PLATED OVER NICKEL
 Insulator Material:LCP+30%G.F UL94V-0 BLACK OR WHITE

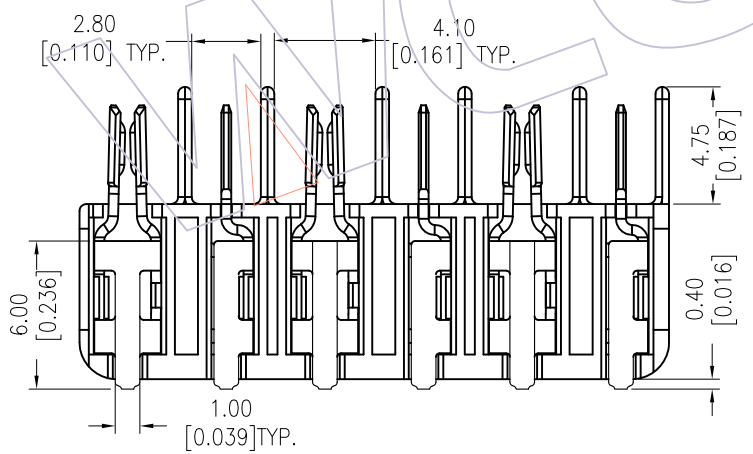
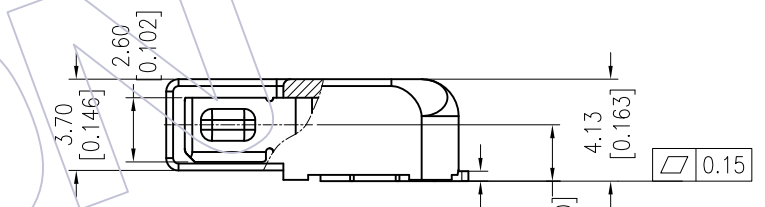
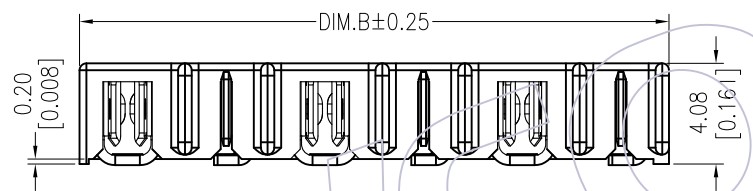
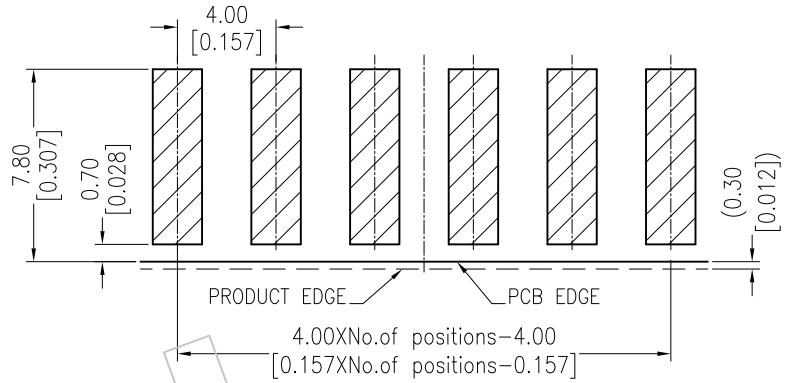
Ordering Information

L400- X -XX Z 413 X R 01

No.of Pins: 02 04 06
 Contact Plating: SM=Matte Tin
 Color Insulator: B=Black, W=White
 Packing: T=Tube, P=Tube+CAP, R=Tape&Reel+CAP



Recommended P.C.B Layout (Top Side)
 (PCB BOARD TOLERANCE ± 0.05)



No.Of PIN	DIM.A	DIM.B
02	4.00	7.90
04	12.00	15.90
06	20.00	23.90

REV	DATE	MODIFICATION DESCRIPTION	CHANGE	OPERATION		DRAW	DATE	SCALE	FIT	PART NO.
				X.X	±0.40					
A1	2015/11/03	Modify		X.XX	±0.25	Allen	2015/11/03	UNIT	mm	L400-X-XXZ413XR01
AO	2012/10/31	NEW	----	X.XXX	±0.15	CHECK	DATE	SIZE	A4	TITLE: 4.00 PITCH SMT HERMAPHRODITIC BLADE AND RECEPTACLE
				Angle	± 3'	APPROVE	DATE	SHEET	1/1	Customer NO.
				DIM	TOL			PROJ.		

WCON
 Http: www.wcon.com

WCON-Dongguan Tel: +86 769 85358920
 WCON-Kunshan Tel: +86 512 57468408
 Fax: +86 769 85358915
 Fax: +86 512 57468468
 E-mail: sales@wcon.com
 E-mail: salesks@wcon.com