

HSF

NOTES:

Rated Current:3.0~9.0 AMP.
 Contact Resistance:20mΩ Max.
 Withstand Voltage:500V AC
 Insulation Resistance:1000MΩ Min.
 Operation Temperature:-40℃ to +105℃
 Applicable Wire Range:
 - Solid Wire: AWG #20~#18
 - Prebond Strand Wire: AWG #20~#18

Contact Material:Phosphor Bronze(C5191)
 Contact Plating: Sn over Ni
 Main Body Material: LCP

Ordering Information

L401 - X - XX Z 400 X X 01

No.of Pins
 1: 1Pin
 2: 2Pin
 3: 3Pin

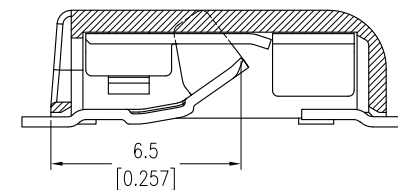
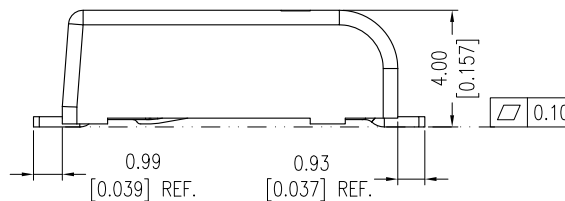
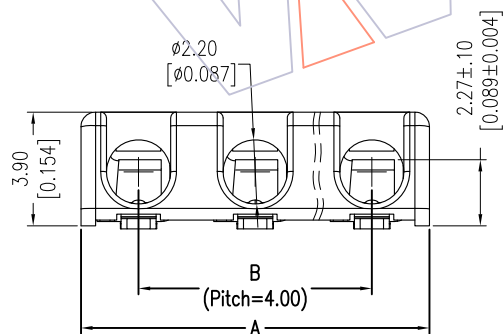
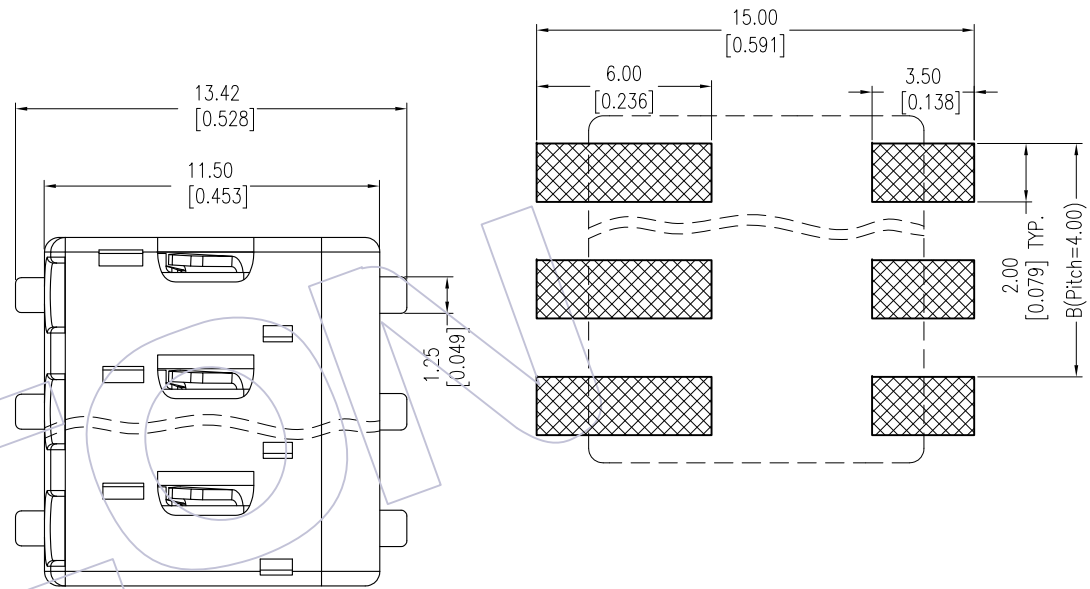
Plating
 SM: Matte Tin

Type
 Z: 90° SMT

Insulator Colour
 W:White

Package
 T: Tube
 R: Tape & Reel

Recommended P.C.B Layout(Top Side)
 (PCB BOARD TOLERANCE±0.05)



3	11.95	8.00
2	7.90	4.00
1	3.95	/
PIN	A	B

REV	DATE	MODIFICATION DESCRIPTION	CHANGE	OPERATION		DRAW	DATE	SCALE	Fit	PART NO.
				DIM	TOL					
				X.X	±0.40	Allen	2015/09/22	UNIT	mm	L401-X-XXZ400XX01
				X.XX	±0.25	CHECK	DATE	SIZE	A4	TITLE:
A0	2015/09/22	NEW		X.XXX	±0.15	APPROVE	DATE	SHEET	1/1	4.0Pitch LED CONN. H=4.00 90° SMT
				Angle	± 3'			PROJ.	Customer NO.	

WCON

Http: www.wcon.com

WCON-Dongguan WCON-Kunshan
 Tel: +86 769 85358920 Tel: +86 512 57468408
 Fax: +86 769 85358915 Fax: +86 512 57468468
 E-mail: sales@wcon.com E-mail: salesks@wcon.com