

APPROVAL SHEET



ITEM	:	SMD POWER INDUCTOR
P/NO	:	HTCB 1260 SERIES
DATE	:	2011.03.29.

APPROVED	REFEERENCE

HANTER ELECTRONICS IND CO.,LTD
JIANGNAN ZHUANG, WEISHAN TOWN WENDENG CITY
SHANDONG, CHINA

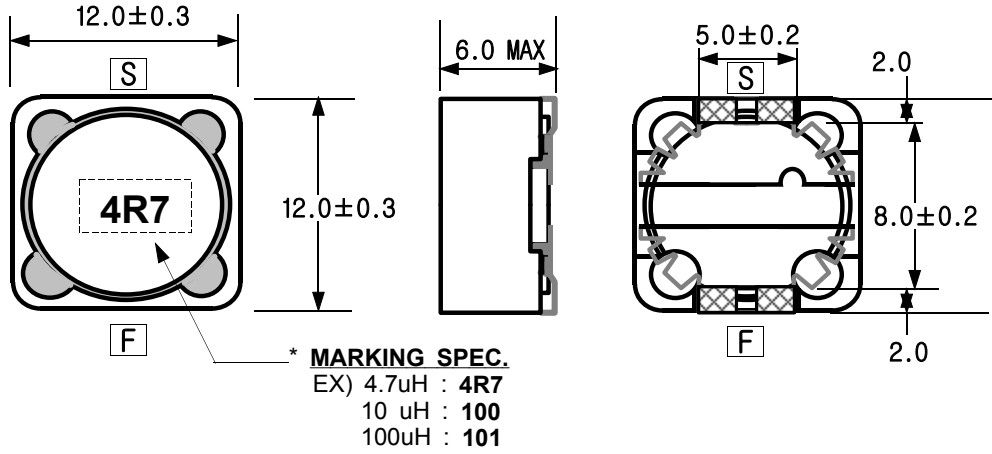
改訂 REV.	設計變更 ENG.CHANGE	日付 DATE	作成 DRAWN	檢認 APPD.
------------	--------------------	------------	-------------	-------------

RECORD OF REVISIONS				
REV NO.	REV DATE	REVISION CONTENTS	REASON OF REV.	MARKING METHOD
0	2011.05.27	신규		

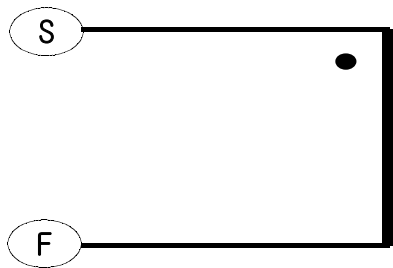
QUALITY & DEVELOPMENT TEAM				尺圖 SCALE	SMD INDUCTOR for POWER LINE
擔當 DRAWN	設計 DESIGNED	檢認 CHECKED	承認 APPROVED	/ NTS	
				DIM. mm	
				HTCB1260-SERIES	1 / 6

改訂 REV.	設計變更 ENG.CHANGE	日付 DATE	作成 DRAWN	檢認 APPD.
------------	--------------------	------------	-------------	-------------

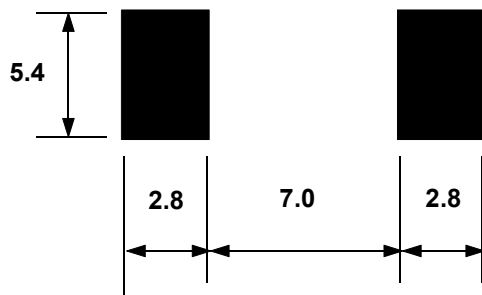
1. DIMENSION (UNIT : mm)



2. CONNECTION



3. PCB-LAND PATTERN



QUALITY & DEVELOPMENT TEAM				尺圖 SCALE	SMD INDUCTOR for POWER LINE
擔當 DRAWN	設計 DESIGNED	檢認 CHECKED	承認 APPROVED	/ NTS	
				DIM. mm	
				HTCB1260-SERIES	
				2 / 6	

4. ELECTRICAL PERFORMANCE

改訂 REV.	設計變更 ENG.CHANGE	日付 DATE	作成 DRAWN	檢認 APPD.
------------	--------------------	------------	-------------	-------------

P/NO.	INDUCTANCE [uH]	DC RESISTANCE [Ω MAX]	RATED CURRENT [A MAX]	MARKING
HTCB1260-1R3N	1.3±30%	0.012	8.00	1R3
2R1N	2.1±30%	0.014	7.00	2R1
3R1N	3.1±30%	0.017	6.00	3R1
4R4N	4.4±30%	0.020	5.00	4R4
5R8N	5.8±30%	0.021	4.40	5R8
7R5N	7.5±30%	0.024	4.20	7R5
100M	10±20%	0.025	4.00	100
120M	12±20%	0.027	3.50	120
150M	14±20%	0.030	3.30	150
180M	18±20%	0.034	3.00	180
220M	22±20%	0.036	2.80	220
270M	27±20%	0.051	2.30	270
330M	33±20%	0.057	2.10	330
390M	39±20%	0.068	2.00	390
470M	47±20%	0.075	1.80	470
560M	56±20%	0.110	1.70	560
680M	68±20%	0.120	1.50	680
820M	82±20%	0.140	1.40	820
101M	100±20%	0.160	1.30	101
121M	120±20%	0.170	1.10	121
151M	150±20%	0.230	1.00	151
181M	180±20%	0.290	0.90	181
221M	220±20%	0.400	0.80	221
271M	270±20%	0.460	0.75	271
331M	330±20%	0.510	0.68	331
391M	390±20%	0.690	0.65	391
471M	470±20%	0.770	0.58	471
561M	560±20%	0.860	0.54	561
681M	680±20%	1.200	0.48	681
821M	820±20%	1.340	0.43	821
102M	1000±20%	1.530	0.40	102

QUALITY & DEVELOPMENT TEAM

尺圖 SCALE

擔當
DRAWN

設計
DESIGNED

檢認
CHECKED

承認
APPROVED

/ NTS

SMD INDUCTOR
for POWER LINE

DIM. mm

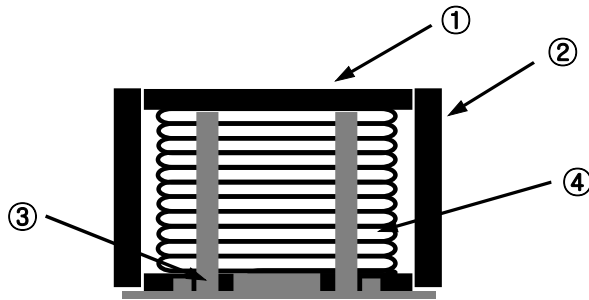
HTCB1260-SERIES

3 / 6

改訂 REV.	設計變更 ENG.CHANGE	日付 DATE	作成 DRAWN	檢認 APPD.
------------	--------------------	------------	-------------	-------------

- * INDUCTANCE : HP-4284A LCR METER at 7.96MHz, 0.25V. (1.3uH ~ 7.5uH)
HP-4284A LCR METER at 1KHz, 0.25V.
- * DC RESISTANCE : HIOKI 3220mΩHI TESTER.
- * RATED CURRENT : The maximum DC value having inductance decrease within 20%
and Temperature increase within 40℃ by the application of DC bias.

5. INTERNAL CONSTRUCTION & MATERIAL LIST

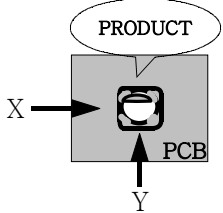
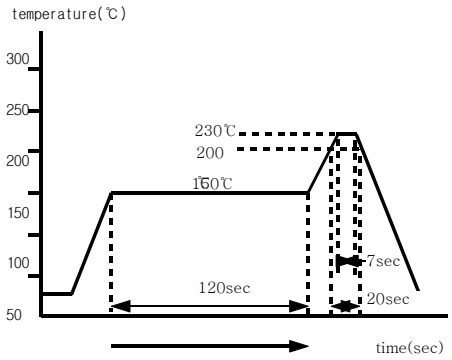


NO.	PART NAME	MATERIAL	MAKER
1	CORE	FERRITE	YOUNGWHA ELECTRONICS, or eqv.
2	OP CORE	FERRITE	YOUNGWHA ELECTRONICS, or eqv.
3	BASE	007 BTW	HWAPYUNG ELECTRONICS, or eqv.
4	WIRE	UEW or eqv.	YU JIN or eqv.




QUALITY & DEVELOPMENT TEAM				尺圖 SCALE	SMD INDUCTOR for POWER LINE
擔當 DRAWN	設計 DESIGNED	檢認 CHECKED	承認 APPROVED	/ NTS	
				DIM. mm	
				HTCB1260-SERIES	
				4 / 6	

改訂 REV.	設計變更 ENG.CHANGE	日付 DATE	作成 DRAWN	檢認 APPD.
------------	--------------------	------------	-------------	-------------

6. RELIABILITY DATA

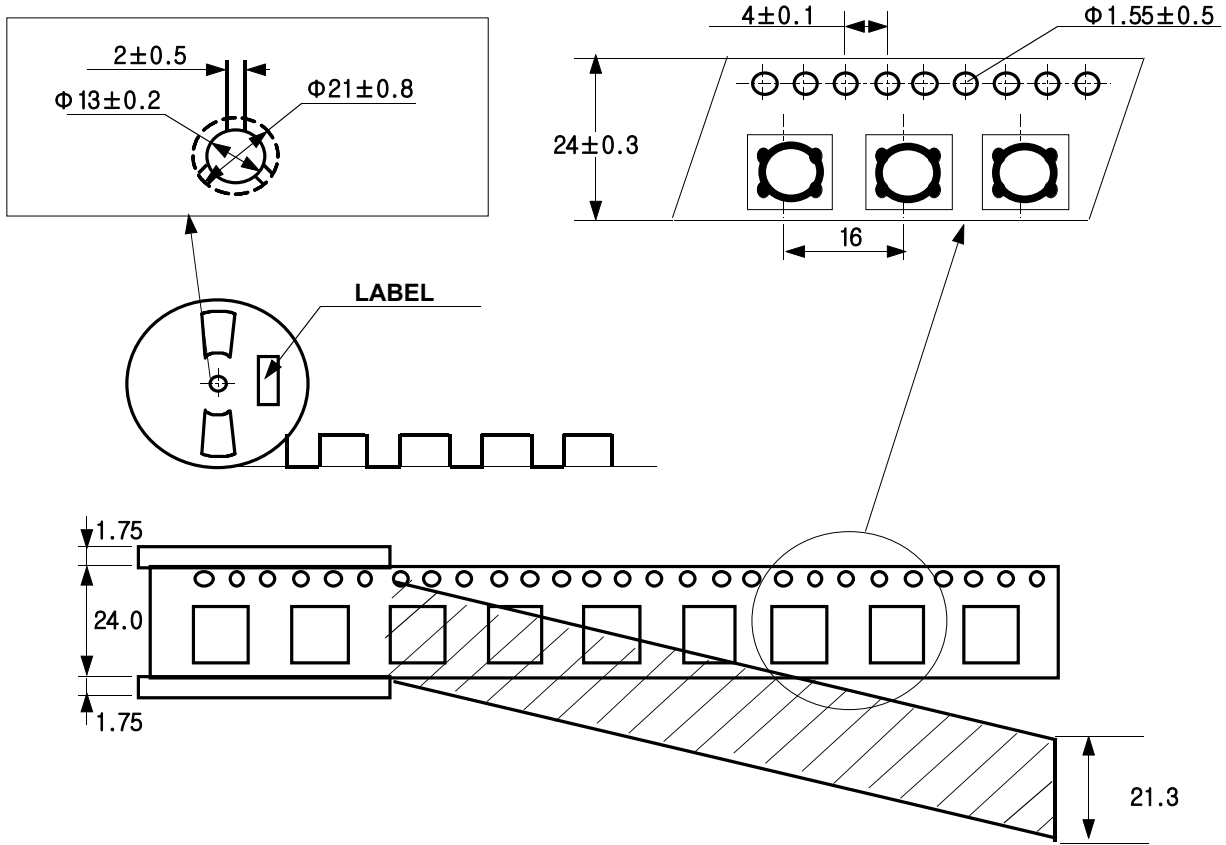
NO	ITEM	SPECIFICATION	TEST METHOD & CONDITION
1	Operating temperature range	-25 to +85℃	Including temperature rise due to self-generated heat.
2	Storage temperature range	-40 to +85℃	
3	Insulation resistance	100MΩ min.	100VDC for 1min. between coil & core.
4	High Temperature	Inductance change : within ±10%	85℃ 96 Hours.
5	Low Temperature		-25℃ 96 Hours.
6	Humidity		40±2℃ 90~95% 500 Hours.
7	Thermal shock		-25±3℃ 30 Minutes Room Temp. Within 5 Minutes 85±2℃ 30 Minutes : 5 cycle
8	Vibration	Inductance change : within ±5%	vibration for 2hours in each of three orientations at sweep vibration 10 to 55 to 10Hz with 1.5mm P-P amplitude .
9	Solderability	Wetting shall cover less than 75% of each terminal	Solder temperature : 260 ±5℃ Duration : 3 ±2sec.
10	Resistance to soldering heat	No mechanical defect and inductance change : within ±5%	Soler temperature : 260 ±5℃ Duration : 10 ±2sec.
11	Terminal strength	0.5kg for 10 ±1 seconds. Terminal should not peel off	 <p>After soldering between copper plate and terminals of x,y with standing at below conditions</p>
12	Reflow condition	No mechanical defect and No Inductance defect	 <p>Reflow condition</p>

※ Measure after leave 2hours in standard condition(No 4~8).

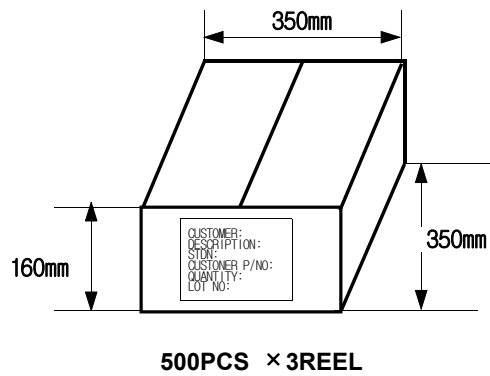
QUALITY & DEVELOPMENT TEAM				尺圖 SCALE		SMD INDUCTOR for POWER LINE
擔當 DRAWN	設計 DESIGNED	檢認 CHECKED	承認 APPROVED	/	NTS	
				DIM.	mm	
HTCB1260-SERIES						5 / 6

改訂 REV.	設計變更 ENG.CHANGE	日付 DATE	作成 DRAWN	檢認 APPD.
------------	--------------------	------------	-------------	-------------

7. PACKING SPEC.



TAPE PITCH	16mm
EMBOSE TAPE	24mm
REEL	Φ330 ±2mm
QUANTITY	500 OR 600pcs
REEL TAPE	START : 200mm MIN
MARGIN	FINISH : 200mm MIN
COVER TAPE	21.3mm



QUALITY & DEVELOPMENT TEAM				尺圖 SCALE	SMD INDUCTOR for POWER LINE
擔當 DRAWN	設計 DESIGNED	檢認 CHECKED	承認 APPROVED	/ NTS	
				DIM. mm	
HTCB1260-SERIES					6 / 6