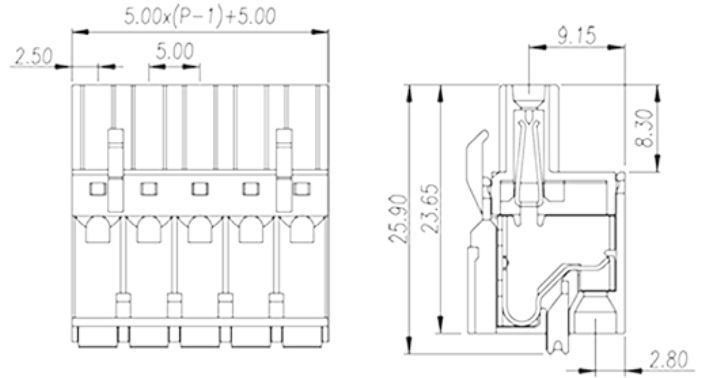
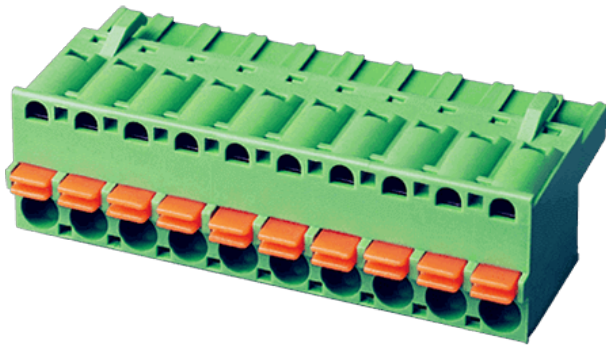


5ESDS-XXP

PCB > PCB -

:2018-10-04 :1.1



Pitch : 5.00 mm , 300V , 10A

	PCB Connector Plug , Push in design
	PCB Connector Plug
(mm)	5.00
	Green(default)
	Push in design
	Without
(mm)	$5.00 \times P + 5.00$
(mm)	25.90
(mm)	15.00
()	02~24
	Single level

	PA66
	I
UL 94	V0
	Copper Alloy
	Tinned



-IEC

(A)	12
(II/2)(V)	600
(III/2)(V)	320
(III/3)(V)	250
(II/2)(KV)	4
(III/2)(KV)	4
(III/3)(KV)	4
(mm ²)	0.2
(mm ²)	2.5
(mm ²)	0.2
(mm ²)	2.5
(mm ²) , ,	0.25
(mm ²) , ,	2.5
(mm ²) , ,	0.25
(mm ²) , ,	2.5
² (mm ²) , ,	0.5
² (mm ²) , ,	1
	12

-UL

(UL/CUL Group B)(V)	300
(UL/CUL Group B)(A)	10
(UL/CUL Group D)(V)	300
(UL/CUL Group D)(A)	10
UL/CUL AWG	26
UL/CUL AWG	12
UL/CUL AWG	26
UL/CUL AWG	12

&

--	--



가 (YES or NO)	YES
	-40

UL

(Group B)(AWG)	26~12
(Group B)(V)	300
(Group B)(A)	10
(Group D)(AWG)	26~12
(Group D)(V)	300
(Group D)(A)	10

CUL

(Group B)(AWG)	26~12
(Group B)(V)	300
(Group B)(A)	10
(Group D)(AWG)	26~12
(Group D)(V)	300
(Group D)(A)	10

CSA

(AWG)	26~12
(V)	300
(A)	10

VDE

(mm ²)	0.2~2.5
(V)	600
(A)	12

--	--



因联结而喜悦!!
Delight Through Connections

